

artos[®]

F303-8

INSTALLATION GUIDE

shower rainhead wall mount
rnd

BRUSHED NICKEL(BN)



CHROME(CH)



artos[®]

F303-8

OPERATING SPECIFICATIONS

shower rainhead wall mount
rnd

FEATURES

Rain Flow
Easy Clean Rubber Nozzles

OPERATING PRESSURE

Minimum: 15 psi
Maximum: 75 psi
Above 90psi, pressure reducer may be necessary

OPERATING TEMPERATURE

Maximum: 176°

FLOW RATE

2.0 USGPM



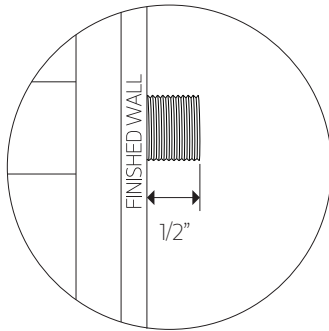
artos[®]



F303-8

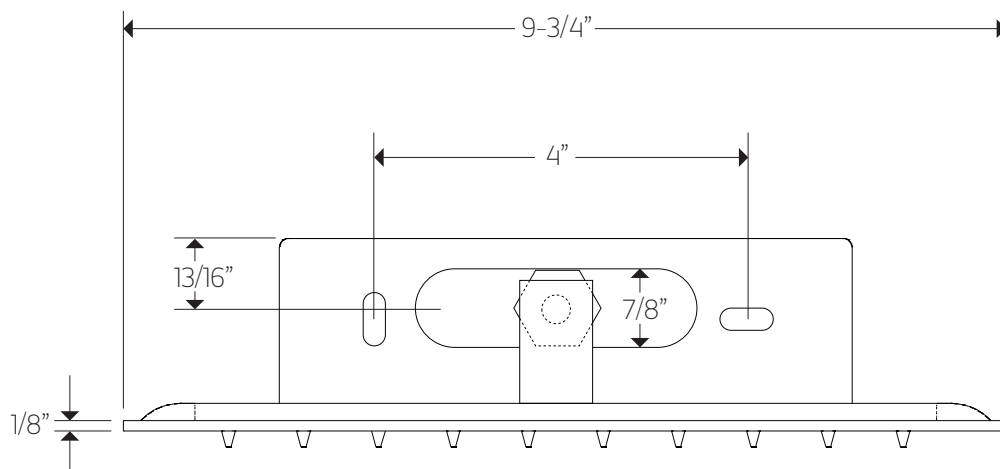
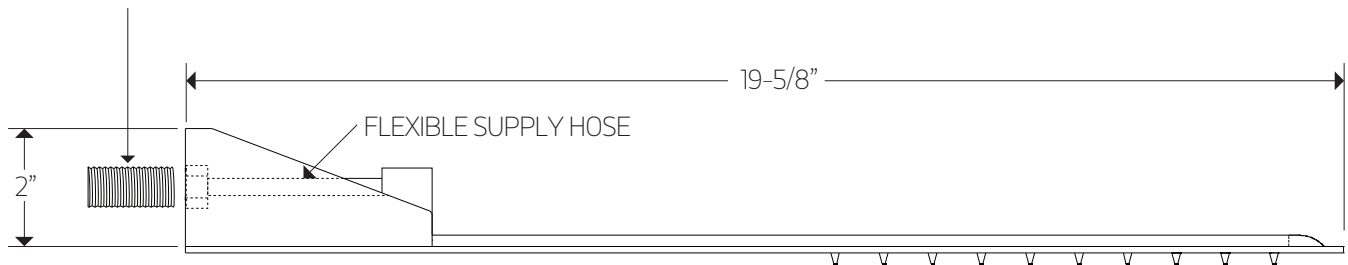
PRODUCT DIMENSIONS

shower rainhead wall mount
rnd



MALE NPT CONNECTOR

[THREADS INTO FEMALE FITTING, SET AT 1/2" PAST FINISHED WALL SURFACE]

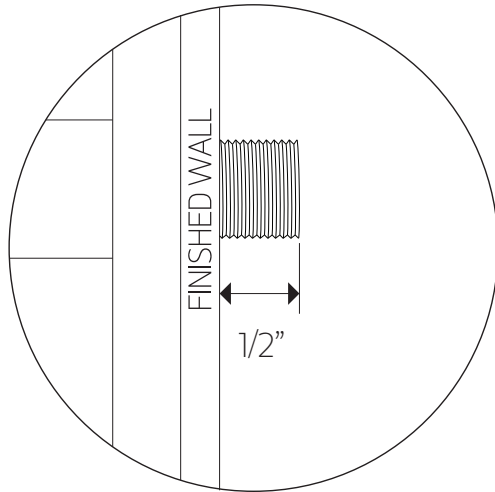


artos[®]

F303-8

shower rainhead wall mount
rnd

IMPORTANT PLEASE USE PROVIDED MALE CONNECTOR

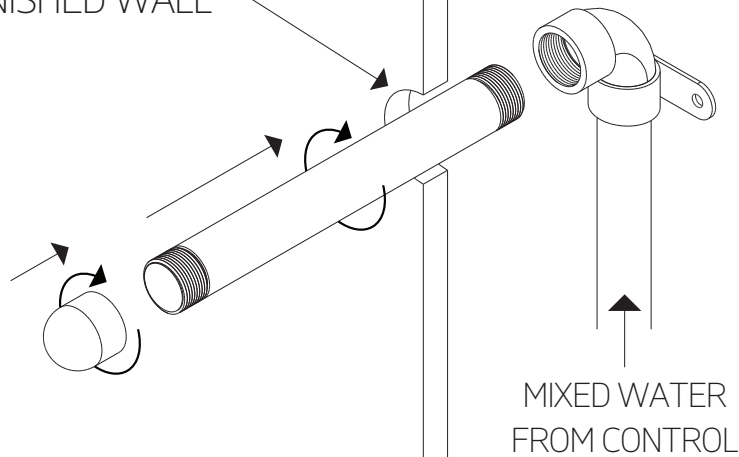


MALE NPT CONNECTOR

[THREADS INTO FEMALE FITTING, SET AT 1/2" PAST FINISHED WALL SURFACE]

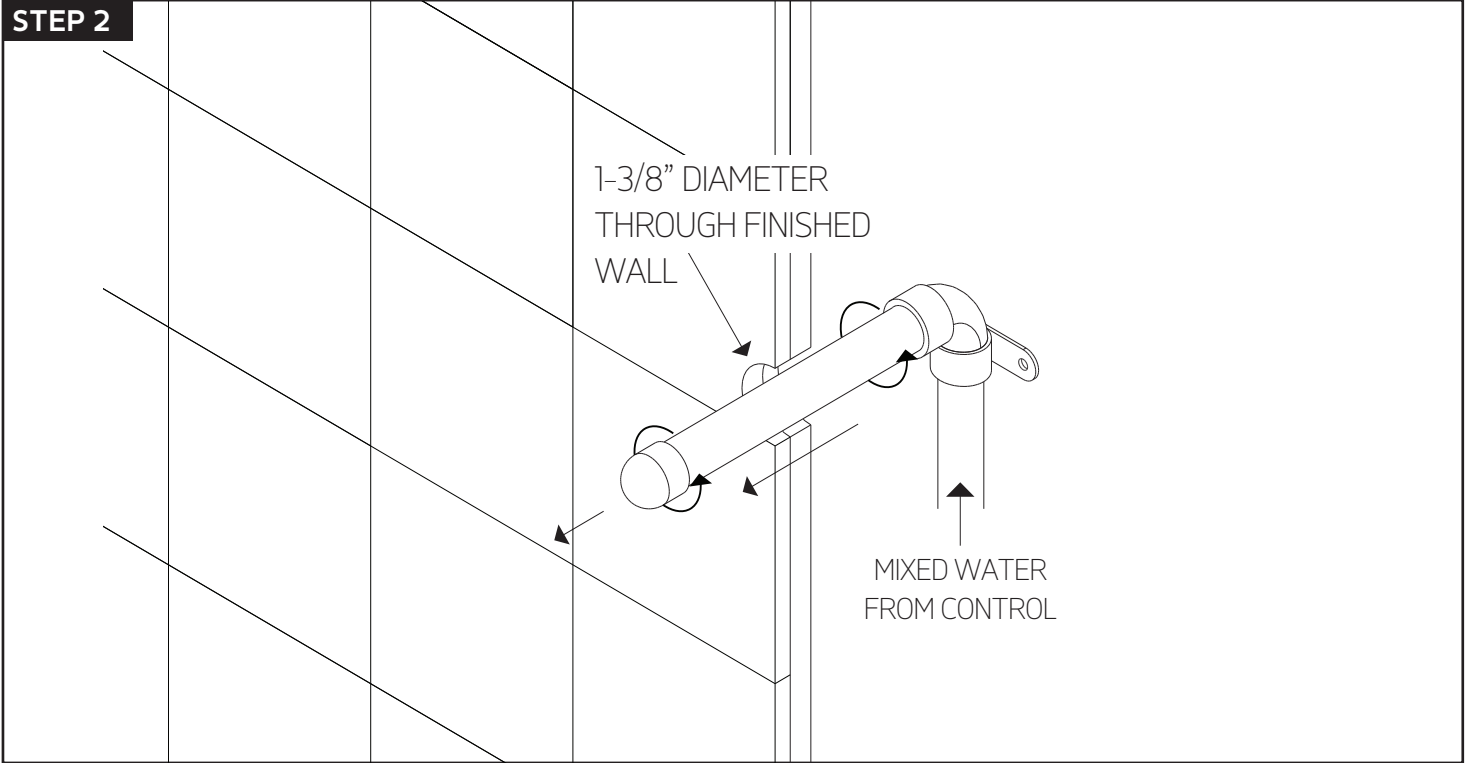
STEP 1

1-3/8" DIAMETER THROUGH
FINISHED WALL

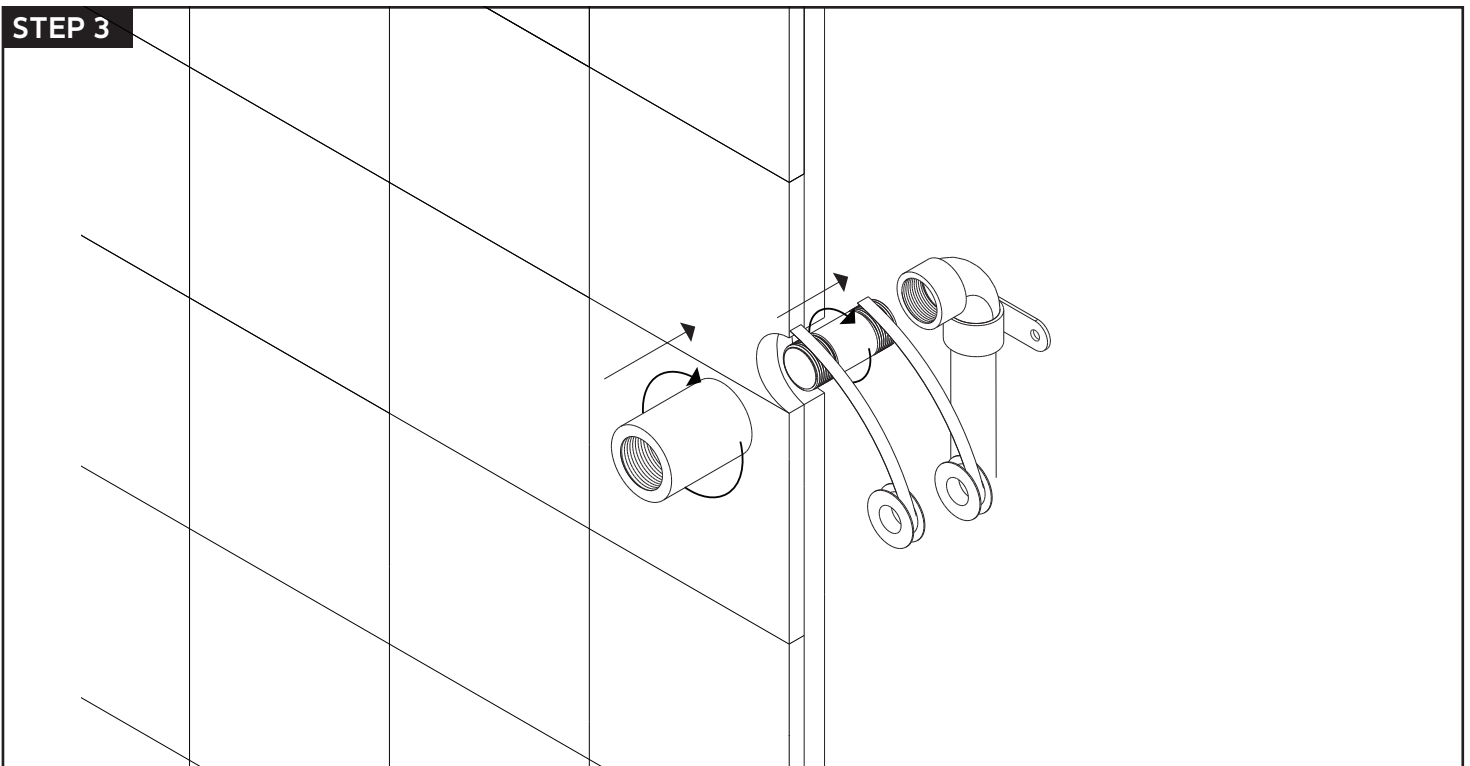


INSTALLATION STEPS

STEP 2



STEP 3

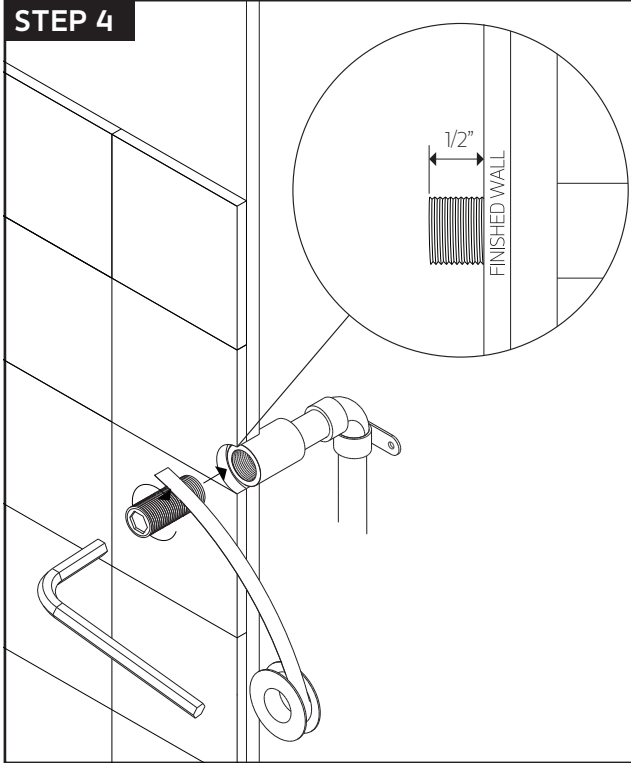


artos[®]

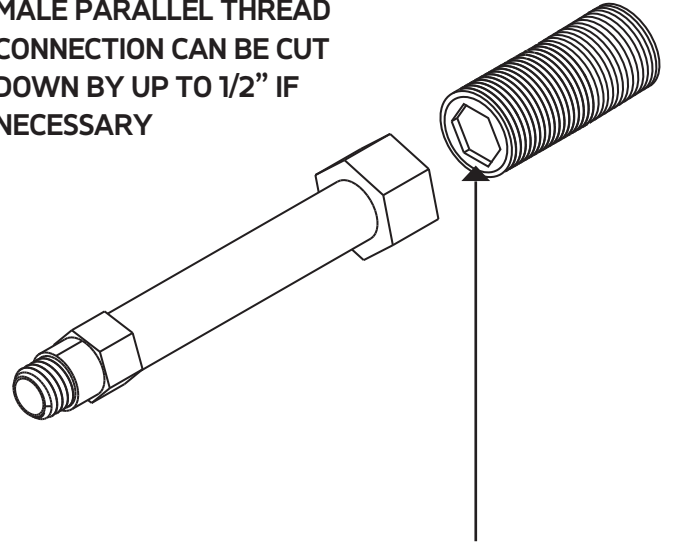
F303-8

shower rainhead wall mount
rnd

STEP 4



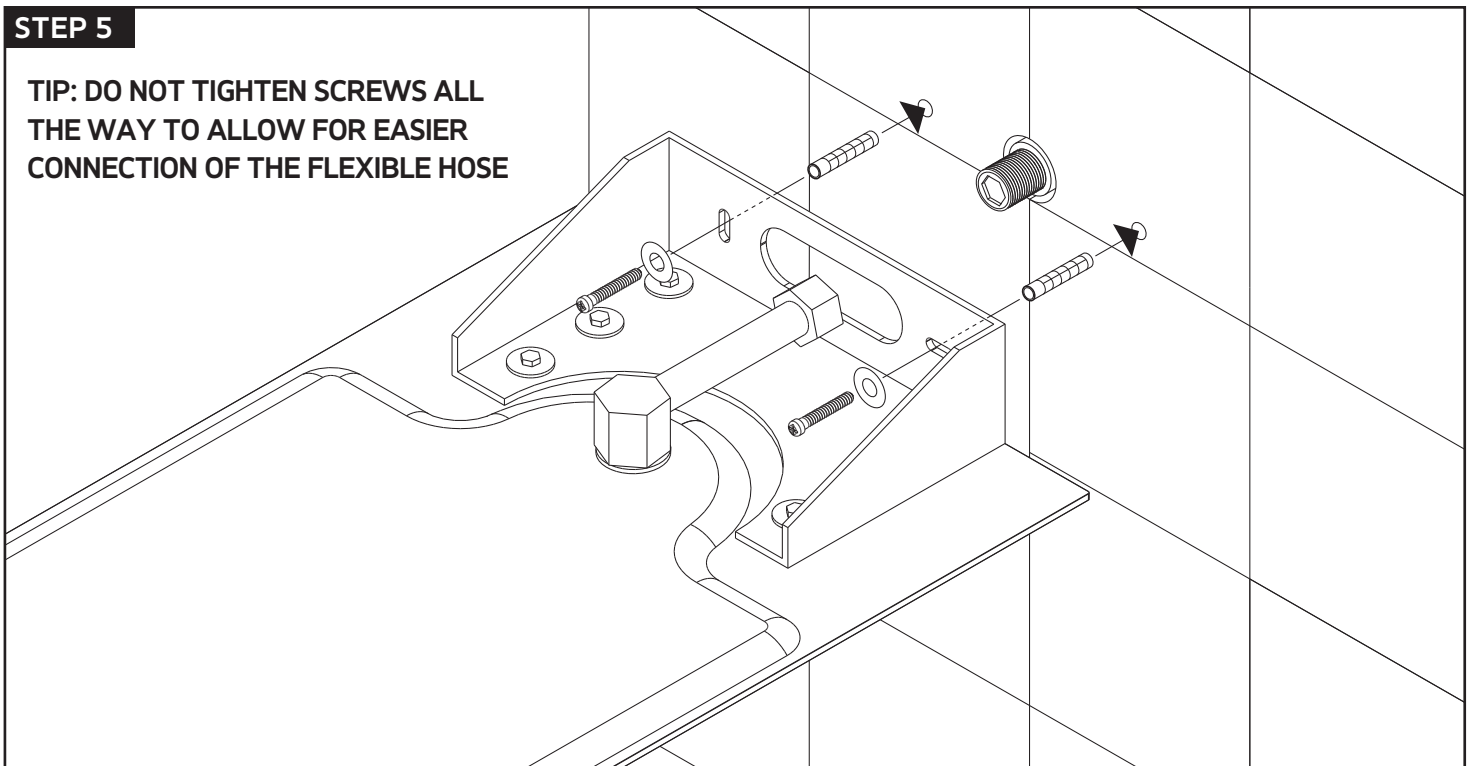
MALE PARALLEL THREAD CONNECTION CAN BE CUT DOWN BY UP TO 1/2" IF NECESSARY



DO NOT CUT OFF FLAT END WITH HEX CENTER, THIS END CONNECTS TO FLEXIBLE HOSE

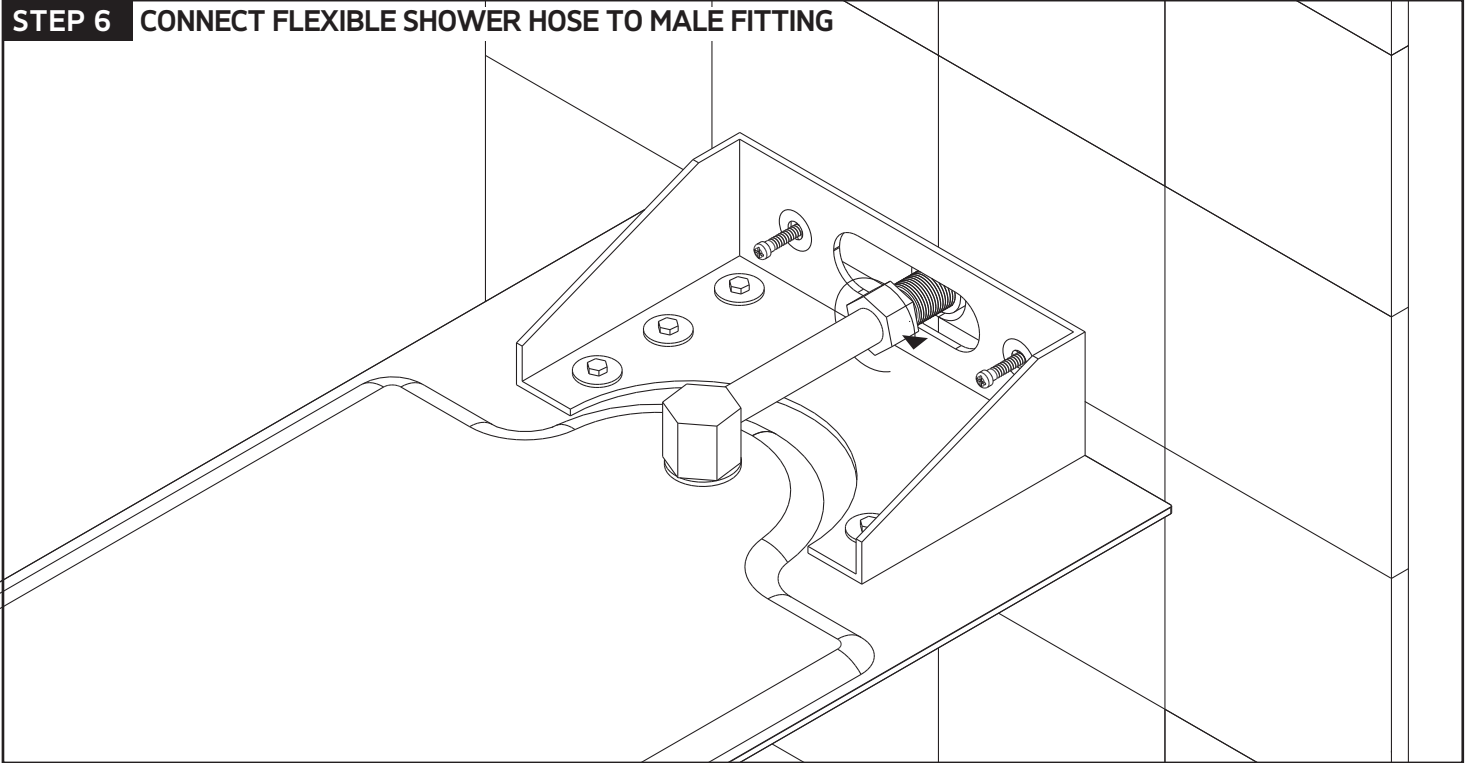
STEP 5

TIP: DO NOT TIGHTEN SCREWS ALL THE WAY TO ALLOW FOR EASIER CONNECTION OF THE FLEXIBLE HOSE

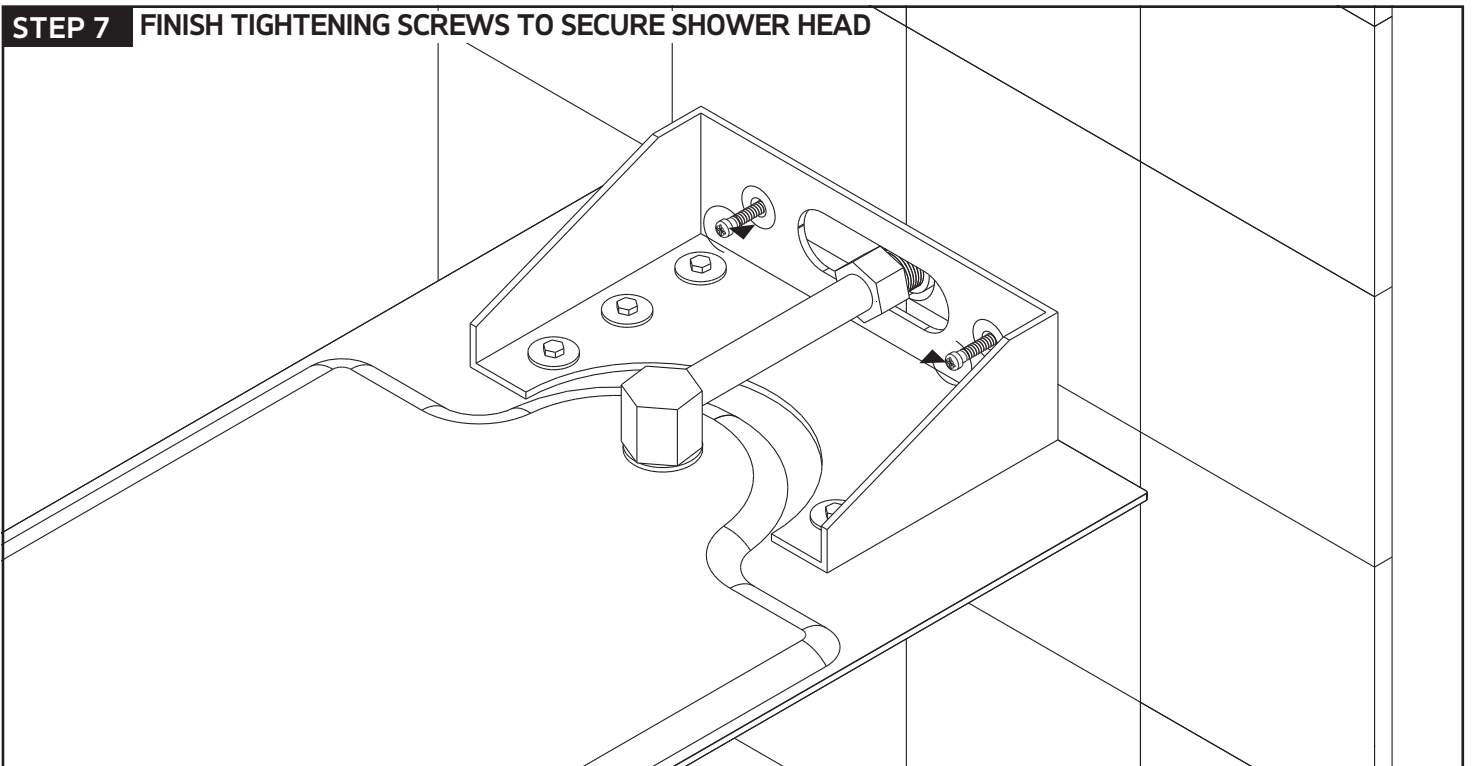


INSTALLATION STEPS

STEP 6 CONNECT FLEXIBLE SHOWER HOSE TO MALE FITTING



STEP 7 FINISH TIGHTENING SCREWS TO SECURE SHOWER HEAD



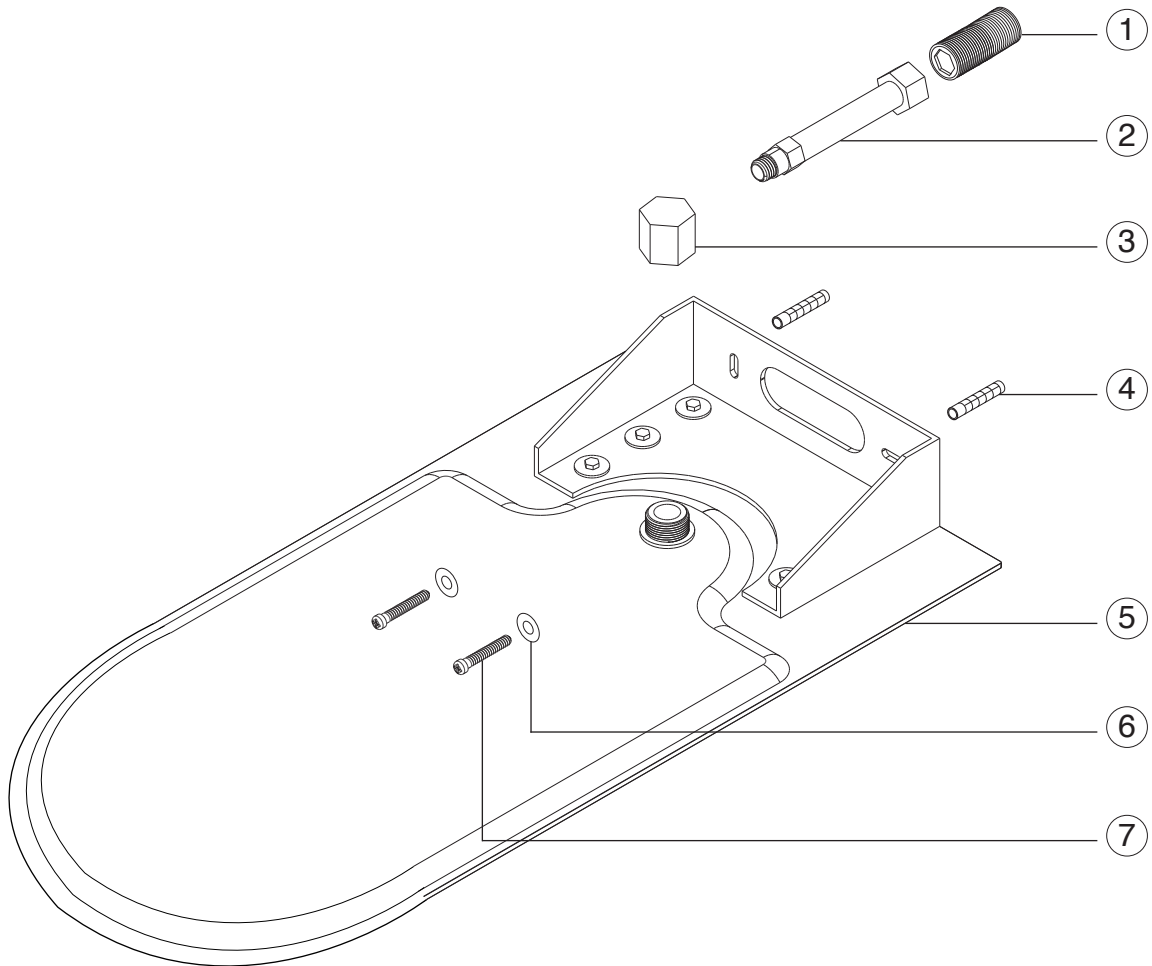
artos[®]



F303-8

PARTS BREAKDOWN

shower rainhead wall mount
rnd



- ① MALE CONNECTOR
- ② SUPPLY HOSE
- ③ INLET NUT
- ④ ANCHOR(2)
- ⑤ SHOWER HEAD
- ⑥ WASHER(2)
- ⑦ SCREW(2)

artos[®]

F303-8

CARE & MAINTENANCE

shower rainhead wall mount
rnd

For best results, keep the following in mind to retain the high quality finish of your artos[®] faucets:

- Use a soft, dampened sponge or cloth. On no account should you use an abrasive material such as a brush, scouring pad or steel wool to clean surfaces.
- Test your cleaning agent solution on an inconspicuous area before applying to the entire faucet.
- Wipe surfaces clean and rinse completely with water immediately after applying cleaning agent.
- An ideal cleaning technique is to rinse faucet thoroughly and blot dry any water from the surface after each use.

LIMITED LIFETIME WARRANTY

Artos[®] Limited Lifetime Warranty

Artos[®] faucets have been manufactured under the highest quality and manufacturing standards. Artos[®] faucets are guaranteed for life against leaks and manufacturing defects for as long as the original consumer purchaser owns it. This warranty applies to installations in the US, Canada and Mexico (North America). Commercial, Industrial or business uses are warranted for a period of one year from the original date of purchase.

This warranty is non-transferable and applies exclusively to the original owner or end-user. If a defect is found during normal use, Artos[®] will, at its election, repair, replace or make an appropriate adjustment. Damage caused by accident, misuse, abuse, improper installation or alteration will void the warranty. This warranty does not cover replacement parts where damage is caused by normal wear and tear. Labor charges, installation or other incidental or consequential costs will not be covered.

Replacement parts that qualify for warranty repair can be obtained by contacting Artos[®] at 1-877-9ARTOS9 or by e-mail at info@artos.us.com. Proof of purchase (original sales receipt) from the original consumer purchaser must accompany all warranty claims. When submitting your claim in writing, please provide your name, address and telephone number.

Please register this product online at WWW.ARTOS.US.COM

Item No : **F 303-8**
Serial No :