

artos®

F202ALT-9

INSTALLATION GUIDE

quarto 2-hole deck mount tub filler,
cube control, open extended spout

BRUSHED NICKEL(BN)



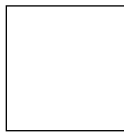
BLACK(BK)



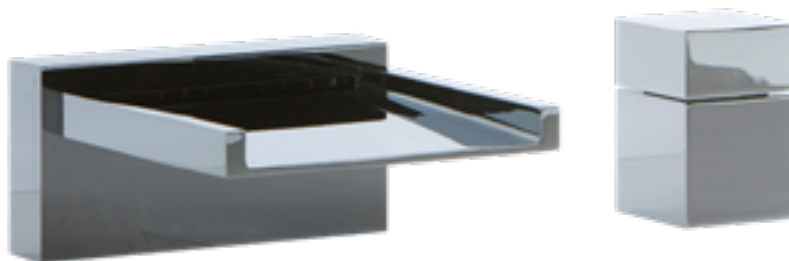
CHROME(CH)



WHITE(WH)



POLISHED NICKEL(PN)



artos®

F202ALT-9

OPERATING SPECIFICATIONS

quarto 2-hole deck mount tub filler,
cube control, open extended spout

FEATURES

Waterfall Flow

OPERATING PRESSURE

Minimum: 15 psi

Maximum: 75 psi

Above 90psi it may be necessary to install a pressure reducer

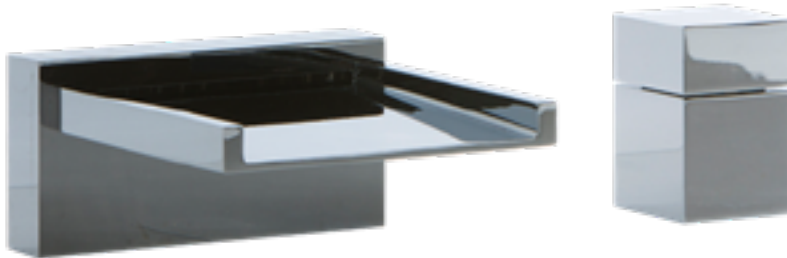
OPERATING TEMPERATURE

Maximum: 176°

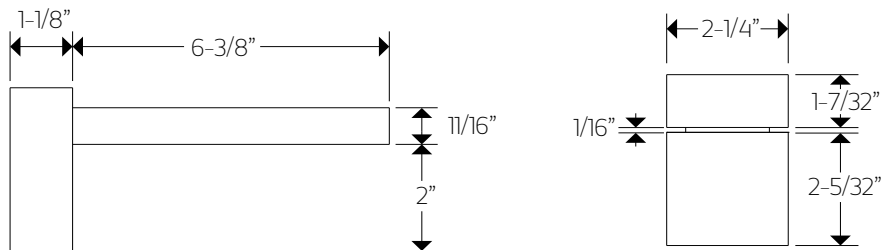
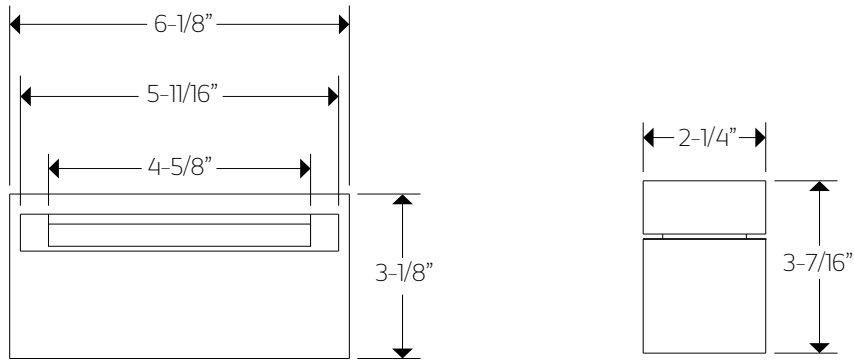
FLOW RATE

6.0 USGPM

2.0 USGPM



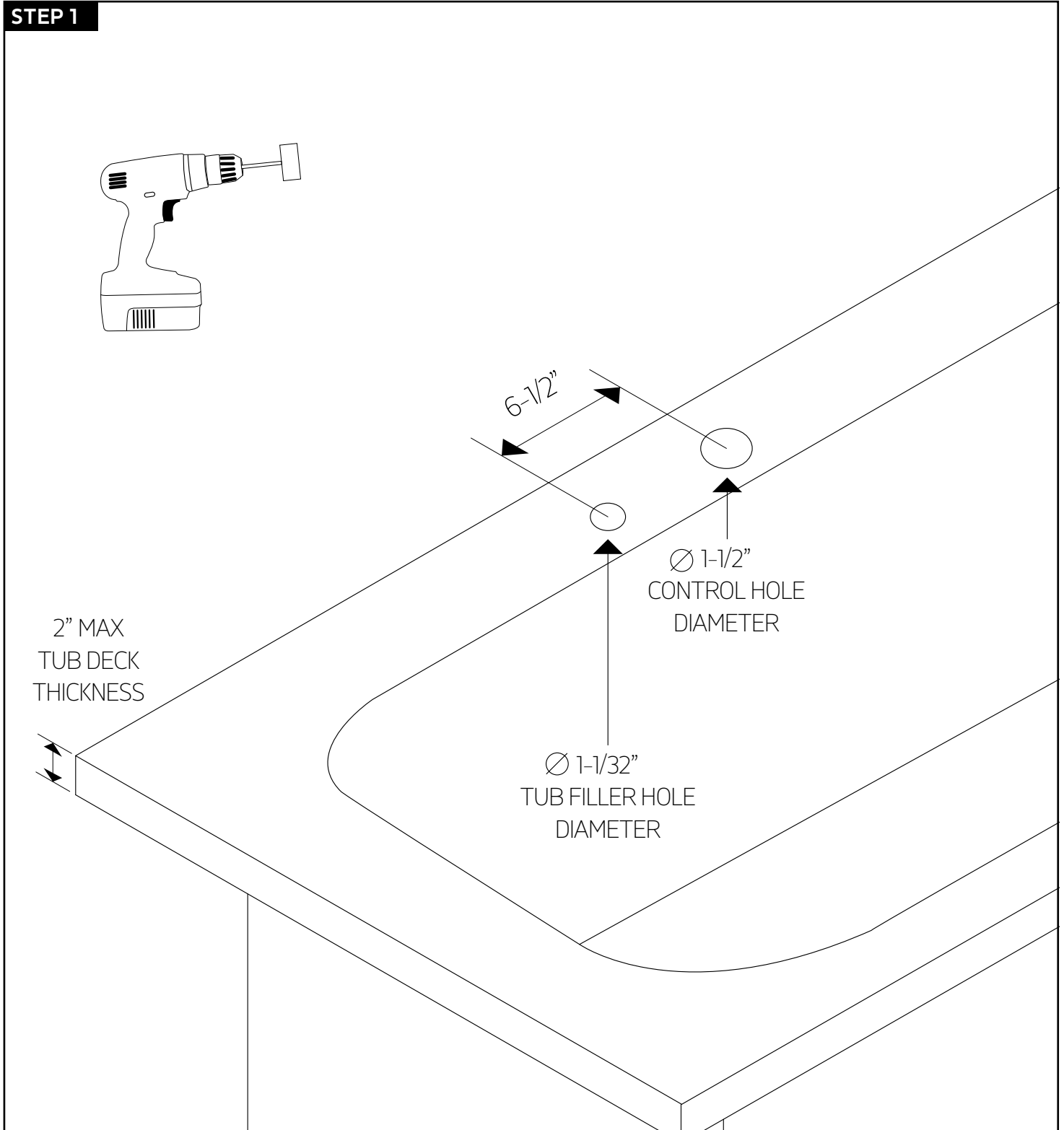
quarto 2-hole deck mount tub filler,
cube control, open extended spout



F202ALT-9

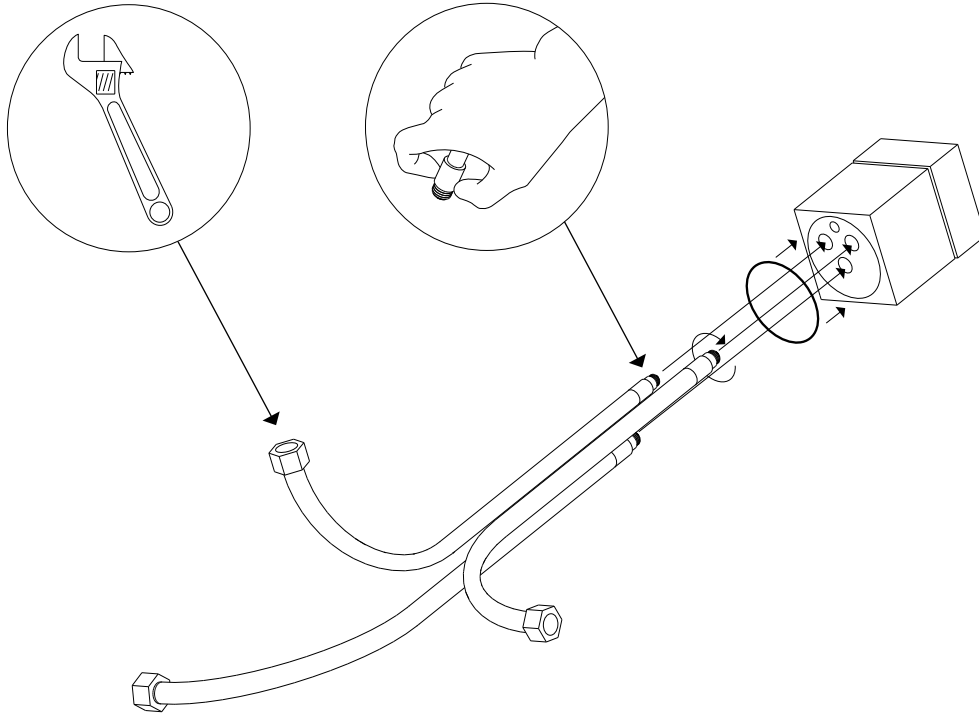
quarto 2-hole deck mount tub filler,
cube control, open extended spout

STEP 1

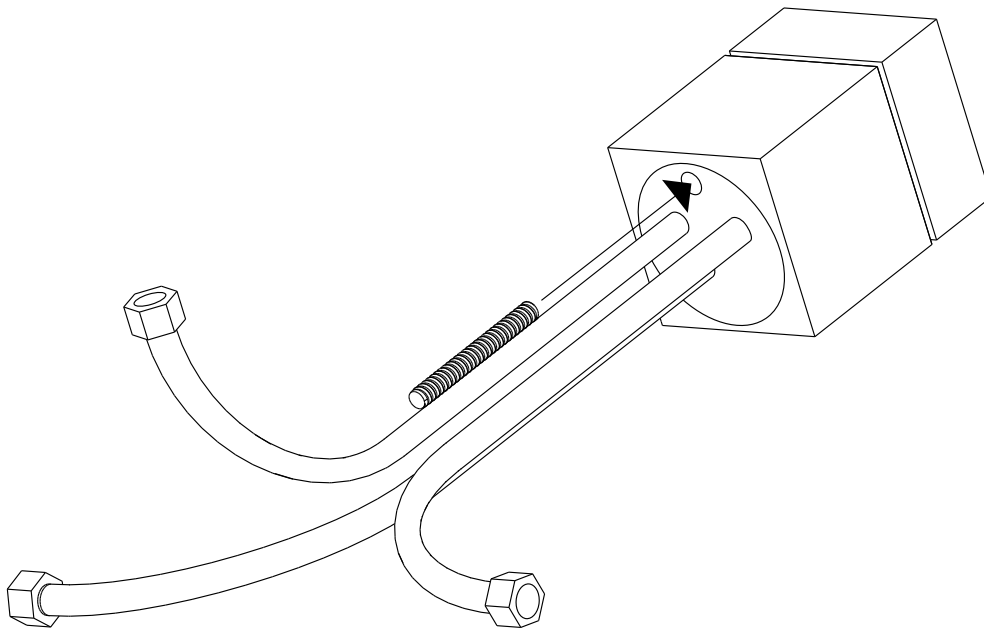


INSTALLATION STEPS

STEP 2



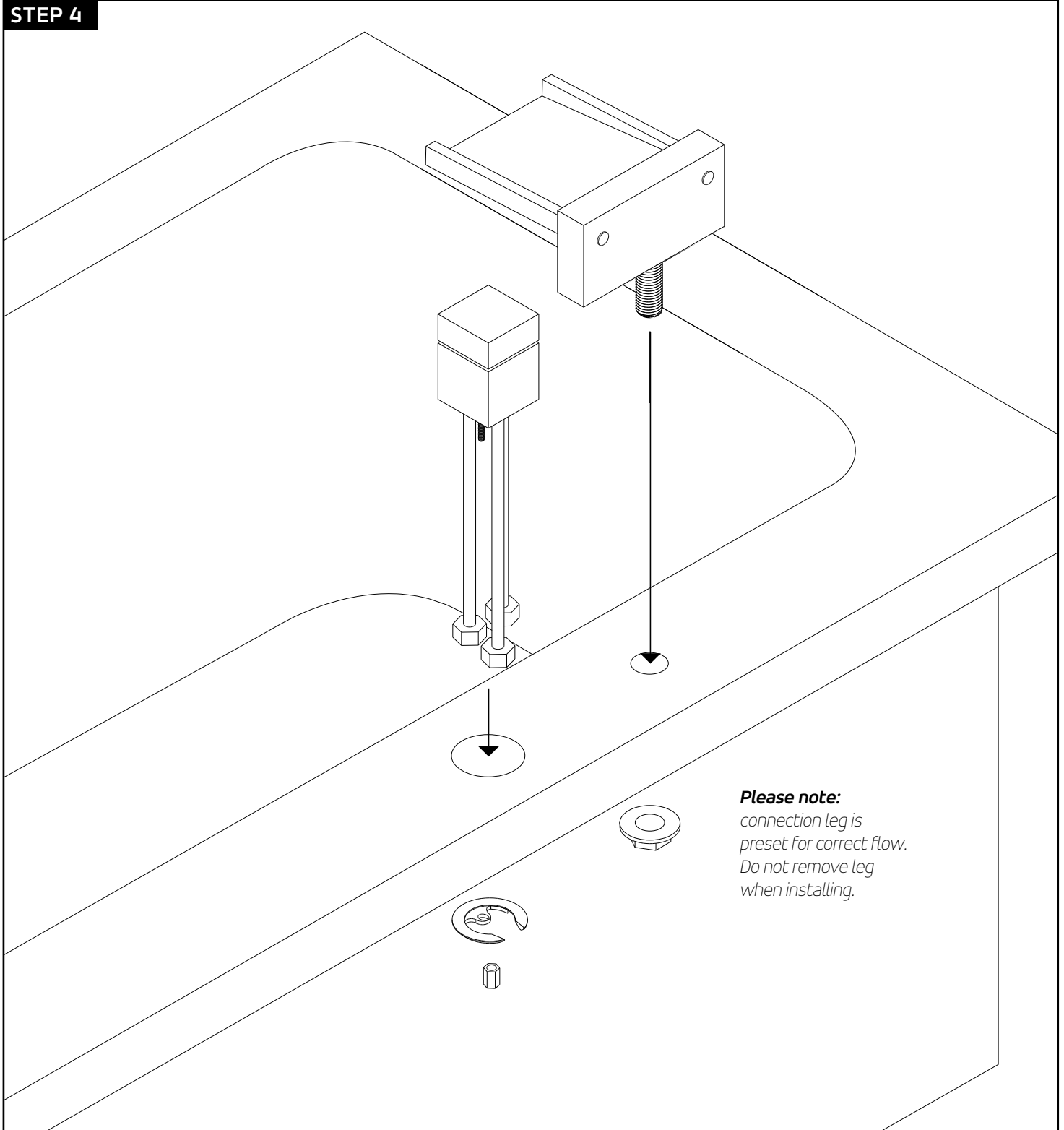
STEP 3



F202ALT-9

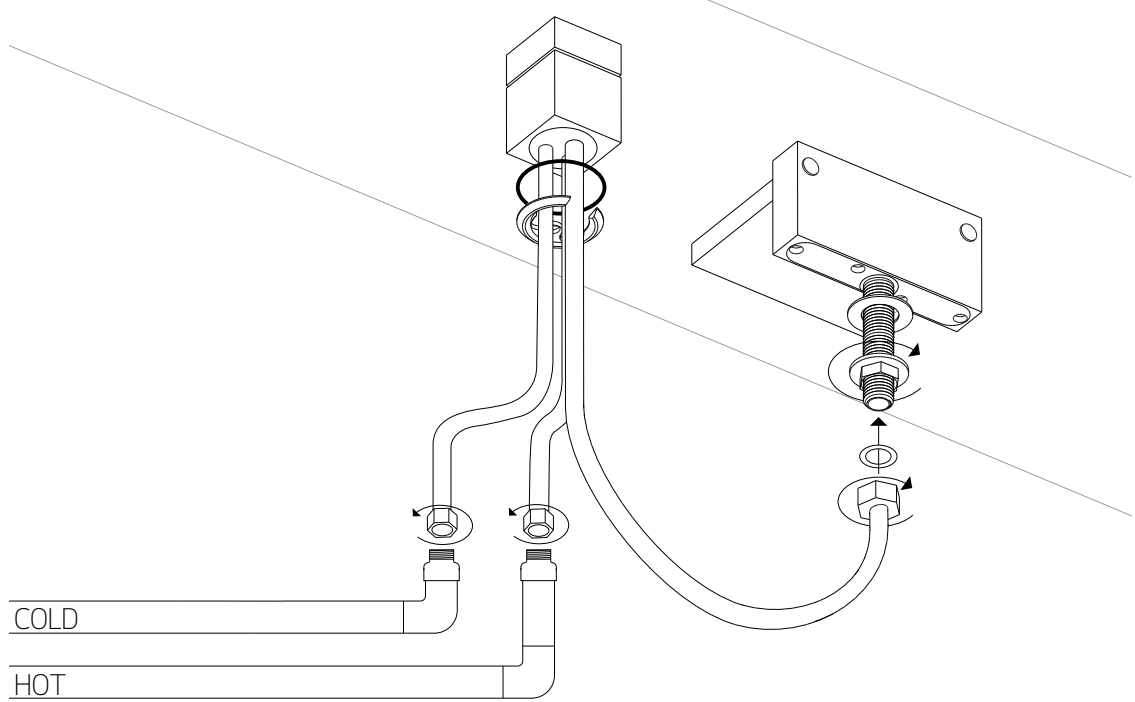
quarto 2-hole deck mount tub filler,
cube control, open extended spout

STEP 4

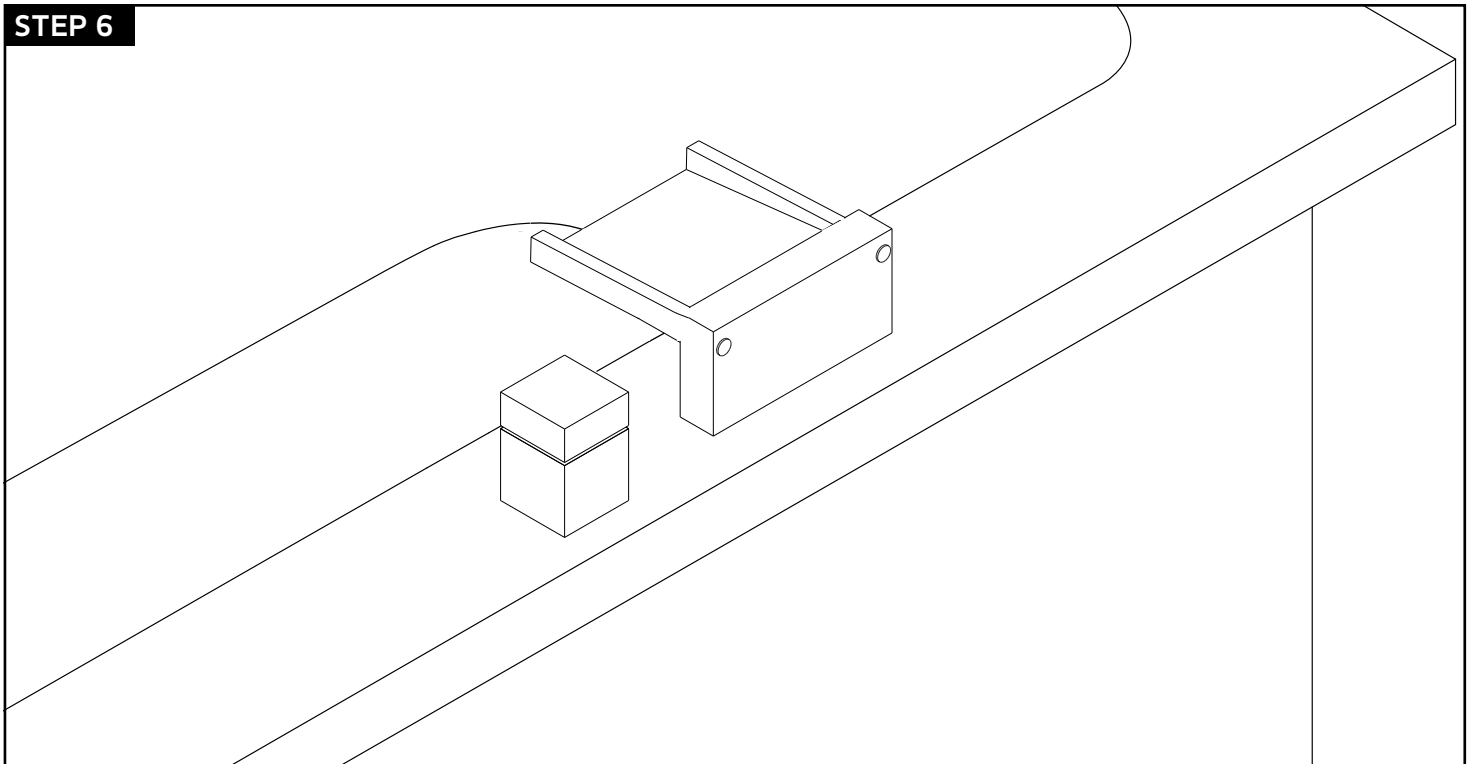


INSTALLATION STEPS

STEP 5

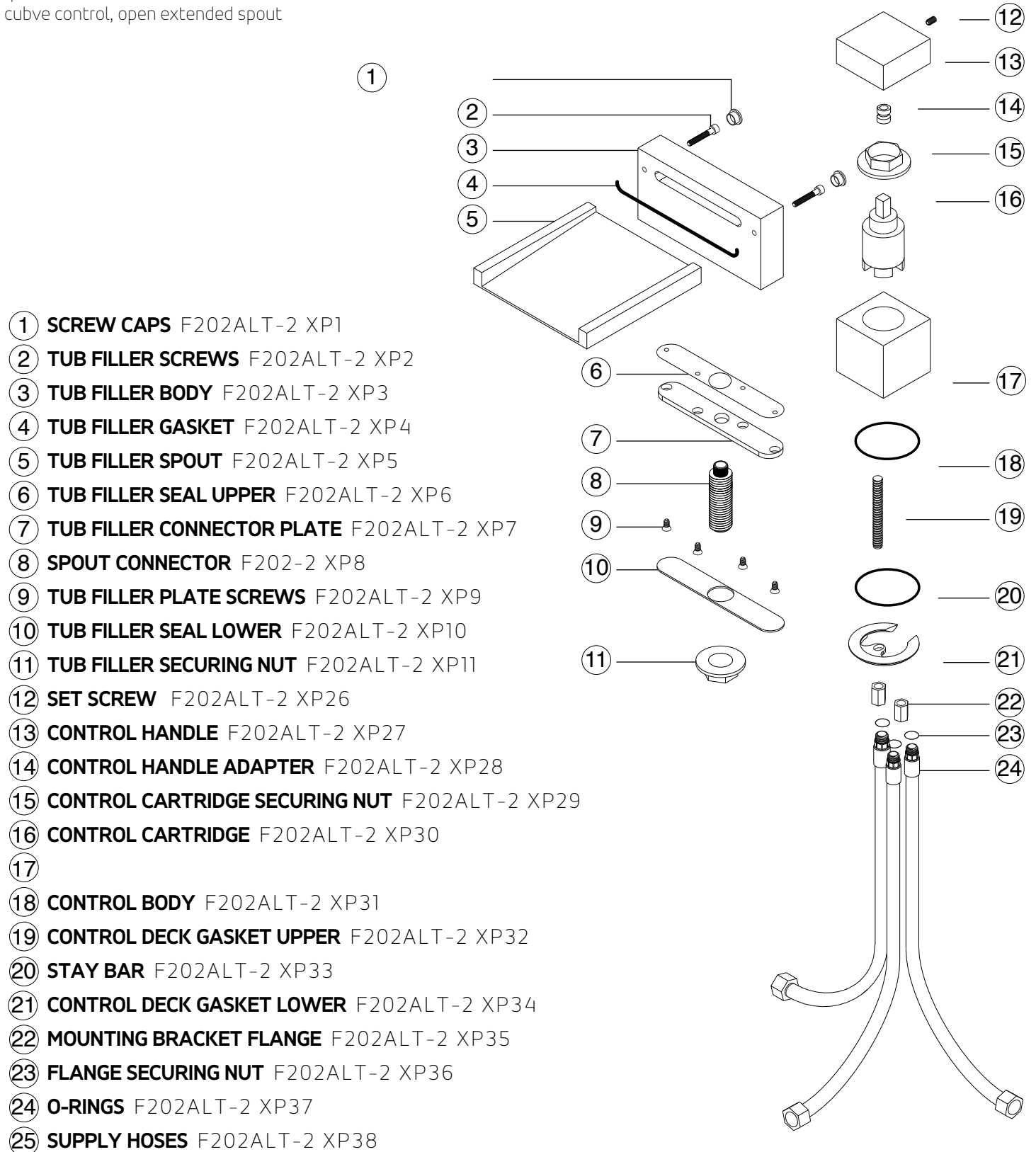


STEP 6



F202ALT-9

quarto 2-hole deck mount tub filler,
cube control, open extended spout



- ① **SCREW CAPS** F202ALT-2 XP1
- ② **TUB FILLER SCREWS** F202ALT-2 XP2
- ③ **TUB FILLER BODY** F202ALT-2 XP3
- ④ **TUB FILLER GASKET** F202ALT-2 XP4
- ⑤ **TUB FILLER SPOUT** F202ALT-2 XP5
- ⑥ **TUB FILLER SEAL UPPER** F202ALT-2 XP6
- ⑦ **TUB FILLER CONNECTOR PLATE** F202ALT-2 XP7
- ⑧ **SPOUT CONNECTOR** F202-2 XP8
- ⑨ **TUB FILLER PLATE SCREWS** F202ALT-2 XP9
- ⑩ **TUB FILLER SEAL LOWER** F202ALT-2 XP10
- ⑪ **TUB FILLER SECURING NUT** F202ALT-2 XP11
- ⑫ **SET SCREW** F202ALT-2 XP26
- ⑬ **CONTROL HANDLE** F202ALT-2 XP27
- ⑭ **CONTROL HANDLE ADAPTER** F202ALT-2 XP28
- ⑮ **CONTROL CARTRIDGE SECURING NUT** F202ALT-2 XP29
- ⑯ **CONTROL CARTRIDGE** F202ALT-2 XP30
- ⑰
- ⑱ **CONTROL BODY** F202ALT-2 XP31
- ⑲ **CONTROL DECK GASKET UPPER** F202ALT-2 XP32
- ⑳ **STAY BAR** F202ALT-2 XP33
- ㉑ **CONTROL DECK GASKET LOWER** F202ALT-2 XP34
- ㉒ **MOUNTING BRACKET FLANGE** F202ALT-2 XP35
- ㉓ **FLANGE SECURING NUT** F202ALT-2 XP36
- ㉔ **O-RINGS** F202ALT-2 XP37
- ㉕ **SUPPLY HOSES** F202ALT-2 XP38

artos®

F202ALT-2

CARE & MAINTENANCE

quarto 2-hole deck mount tub filler,
cube control, open extended spout

For best results, keep the following in mind to retain the high quality finish of your artos® faucets:

- Use a soft, dampened sponge or cloth. On no account should you use an abrasive material such as a brush, scouring pad or steel wool to clean surfaces.
- Test your cleaning agent solution on an inconspicuous area before applying to the entire faucet.
- Wipe surfaces clean and rinse completely with water immediately after applying cleaning agent.
- An ideal cleaning technique is to rinse faucet thoroughly and blot dry any water from the surface after each use.

LIMITED LIFETIME WARRANTY

artos® faucets are guaranteed for life against leaks and finishing defects for as long as the original purchaser owns it.

Damage caused by accident, misuse, abuse, improper installation, improper cleaning or alteration will void the warranty. This warranty does not cover replacement parts where damage is caused by normal wear and tear. Westover, Inc is not responsible for labor charges, installation or other incidental or consequential costs. Proof of purchase must be provided with all claims.

Please register this product online at WWW.ARTOS.US.COM

ITEM NO. **F202ALT-9**
SERIAL NO.