

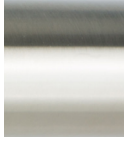
artos[®]

F202ALT-5

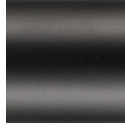
INSTALLATION GUIDE

quarto 5-hole deck mount tub filler,
cube control, open extended spout

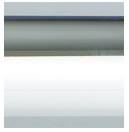
BRUSHED NICKEL(BN)



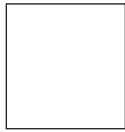
BLACK(BK)



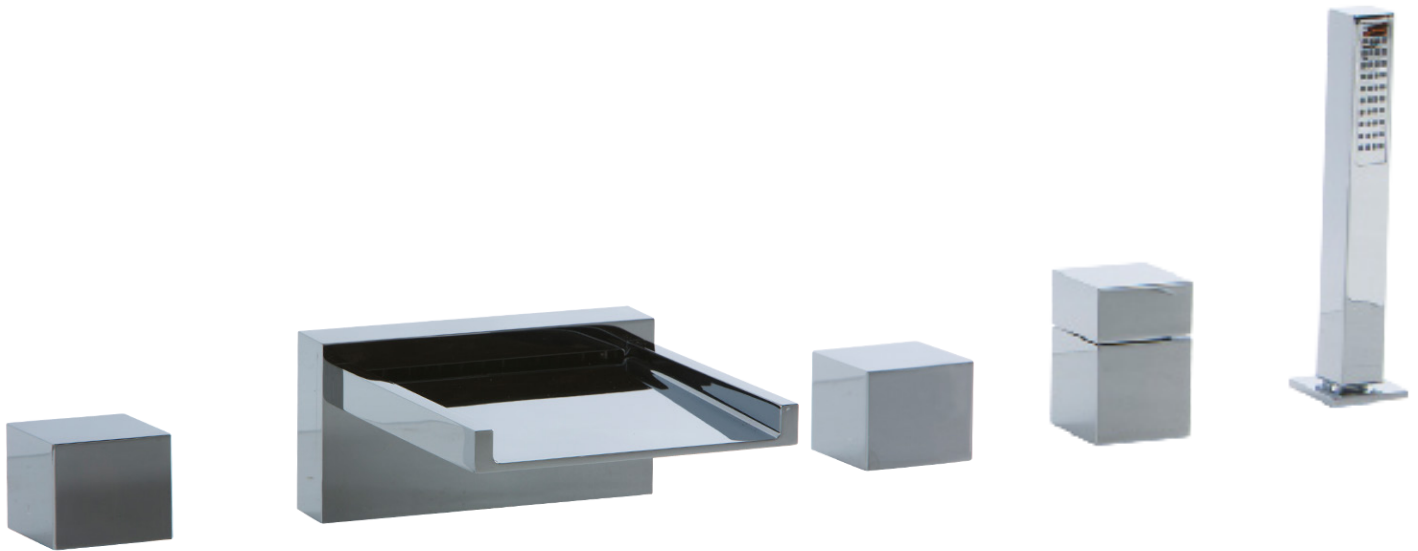
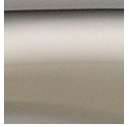
CHROME(CH)



WHITE(WH)



POLISHED NICKEL(PN)



artos[®]

F202ALT-5

OPERATING SPECIFICATIONS

quarto 5-hole deck mount tub filler,
cube control, open extended spout

FEATURES

Waterfall Flow
Hand Shower with Separate Control

OPERATING PRESSURE

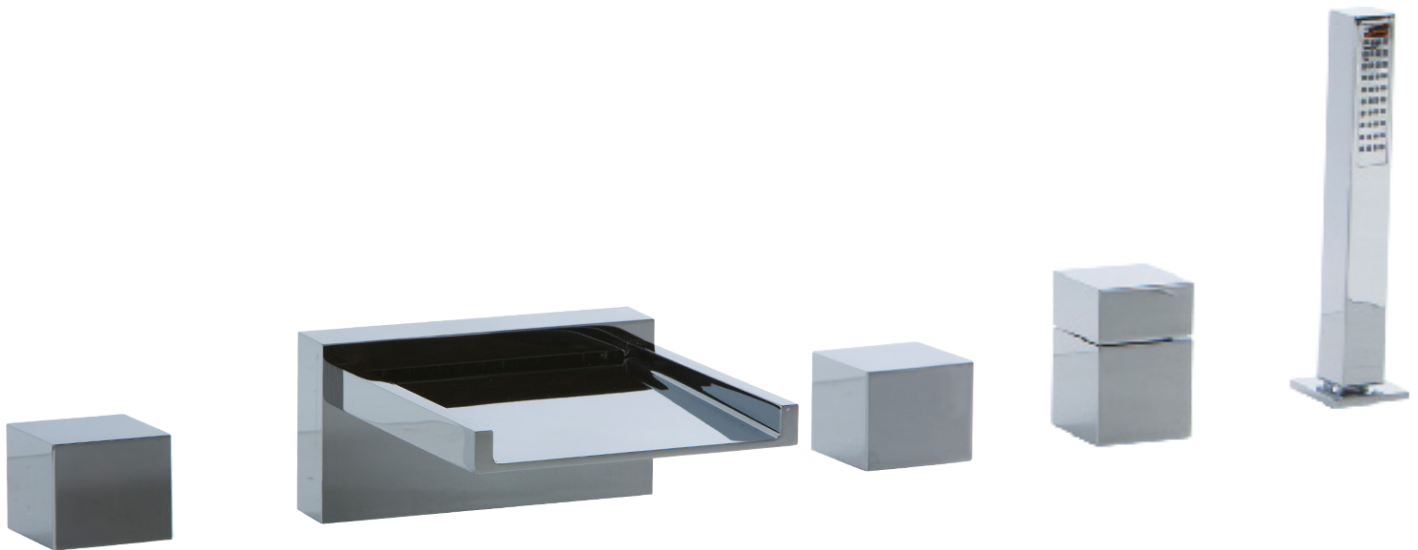
Minimum: 15 psi
Maximum: 75 psi
Above 90psi it may be necessary to install a pressure reducer

OPERATING TEMPERATURE

Maximum: 176°

FLOW RATE

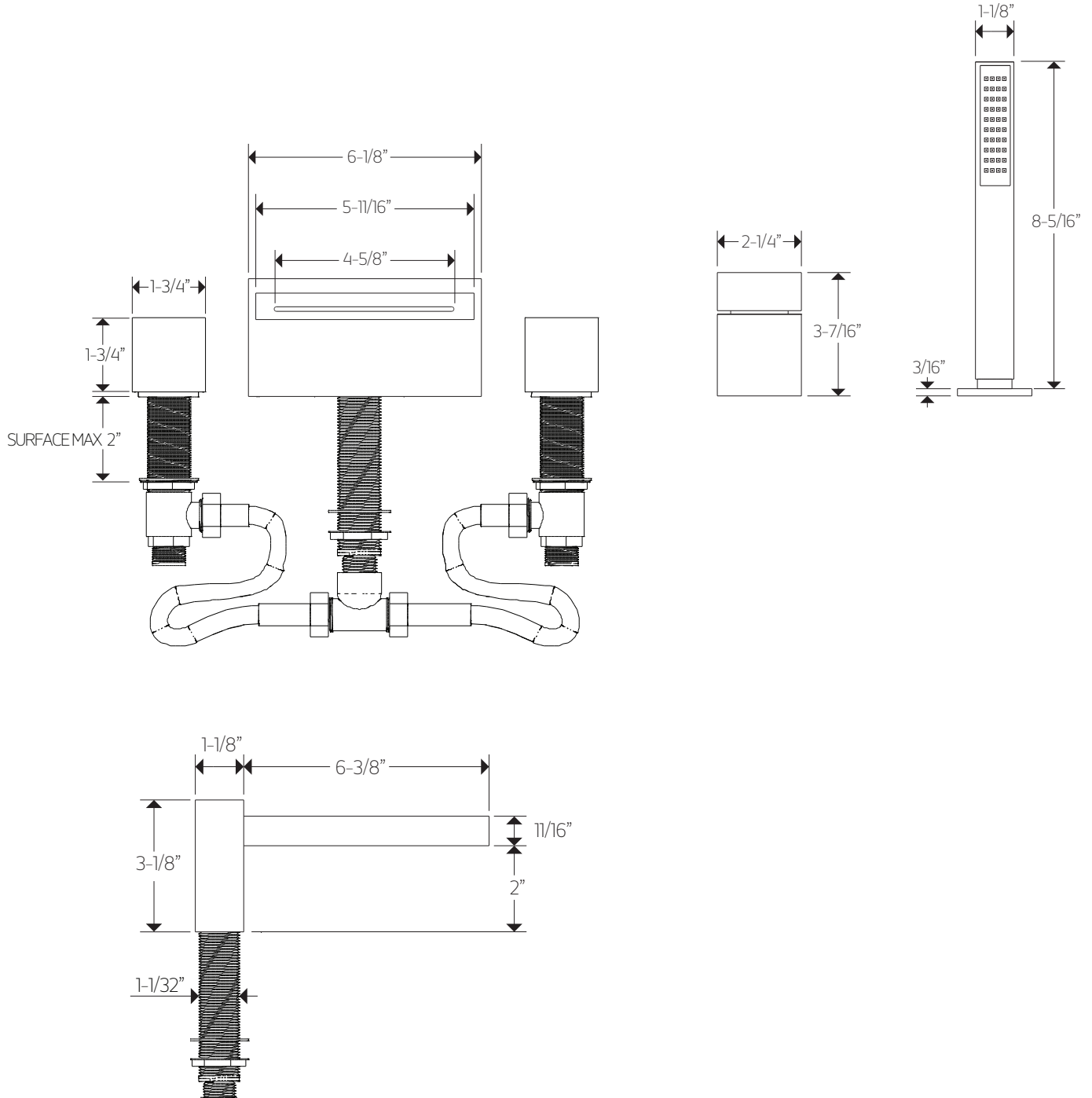
6.0 USGPM
2.0 USGPM



F202ALT-5

PRODUCT DIMENSIONS

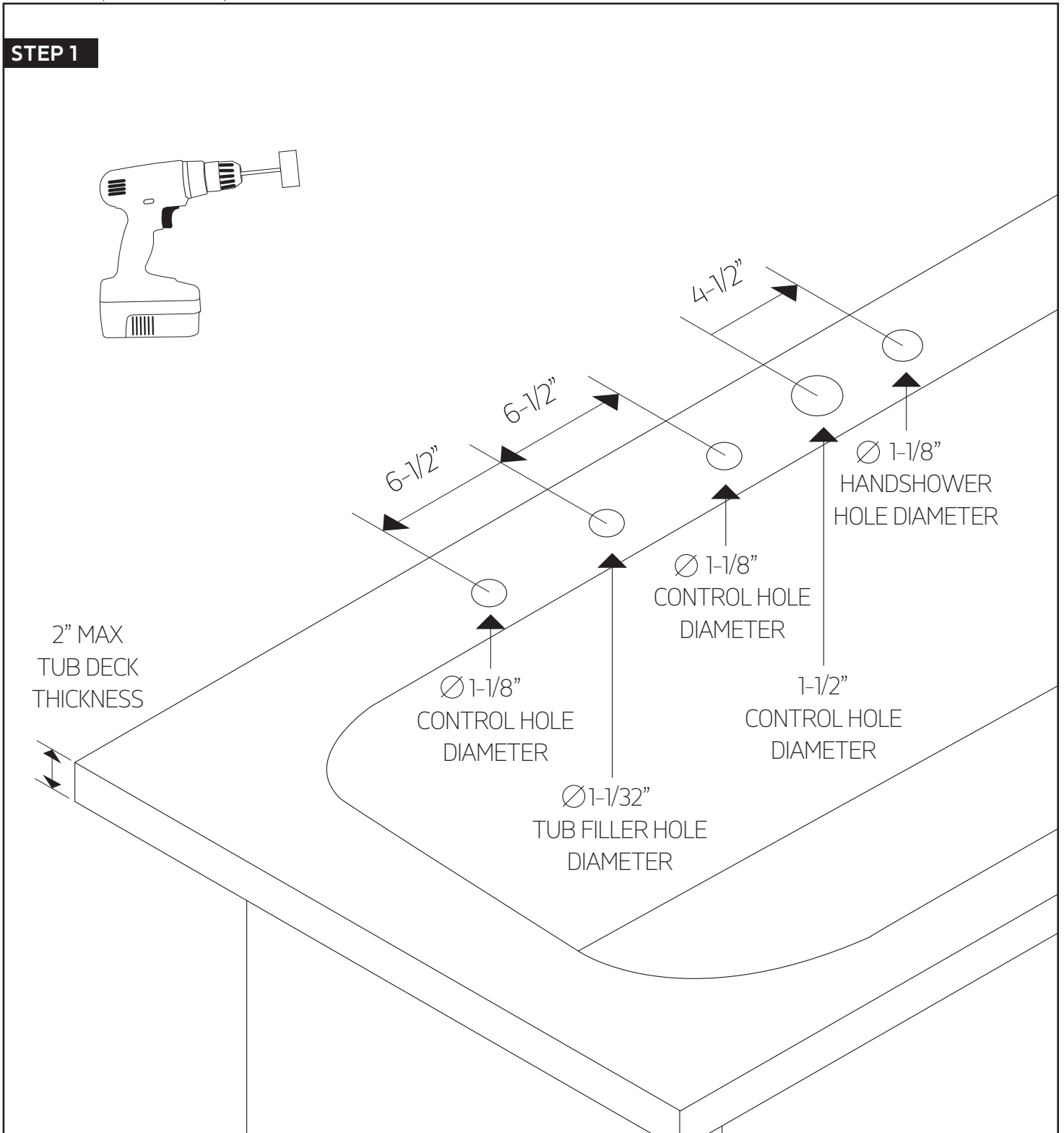
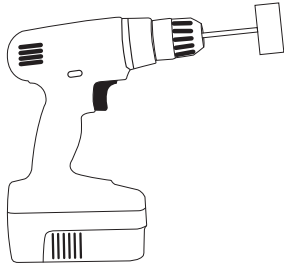
quarto 5-hole deck mount tub filler,
cube control, open extended spout



F202ALT-5

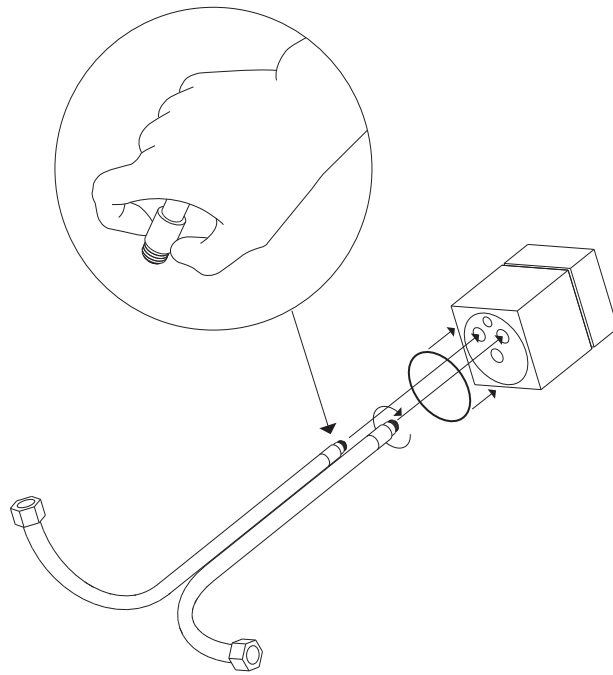
quarto 5-hole deck mount tub filler,
cube control, open extended spout

STEP 1

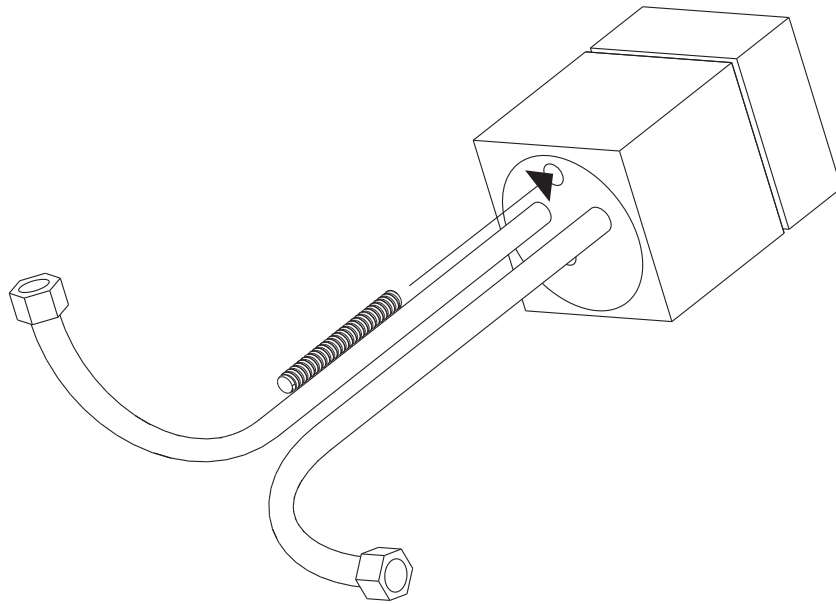


INSTALLATION STEPS

STEP 2



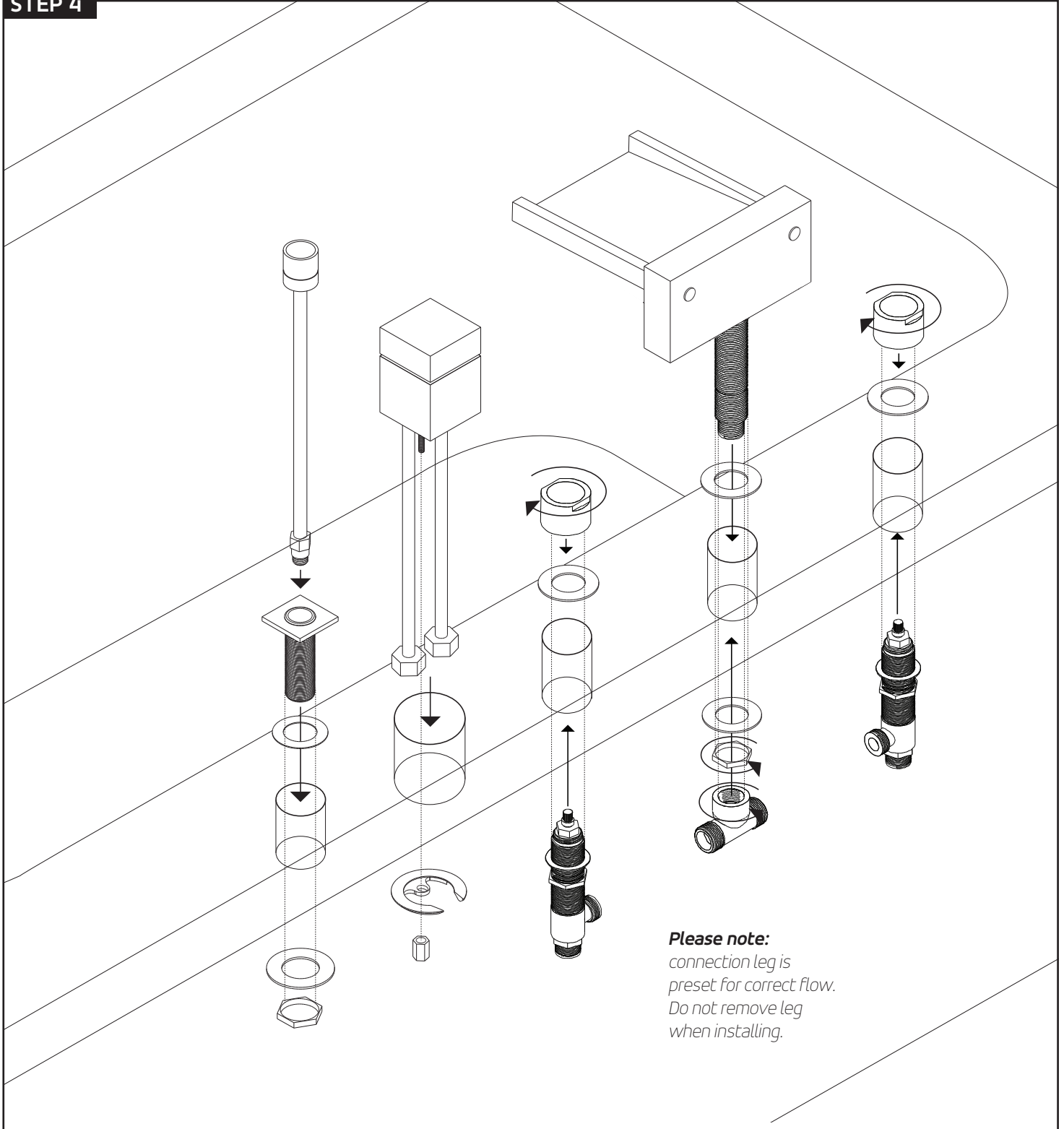
STEP 3



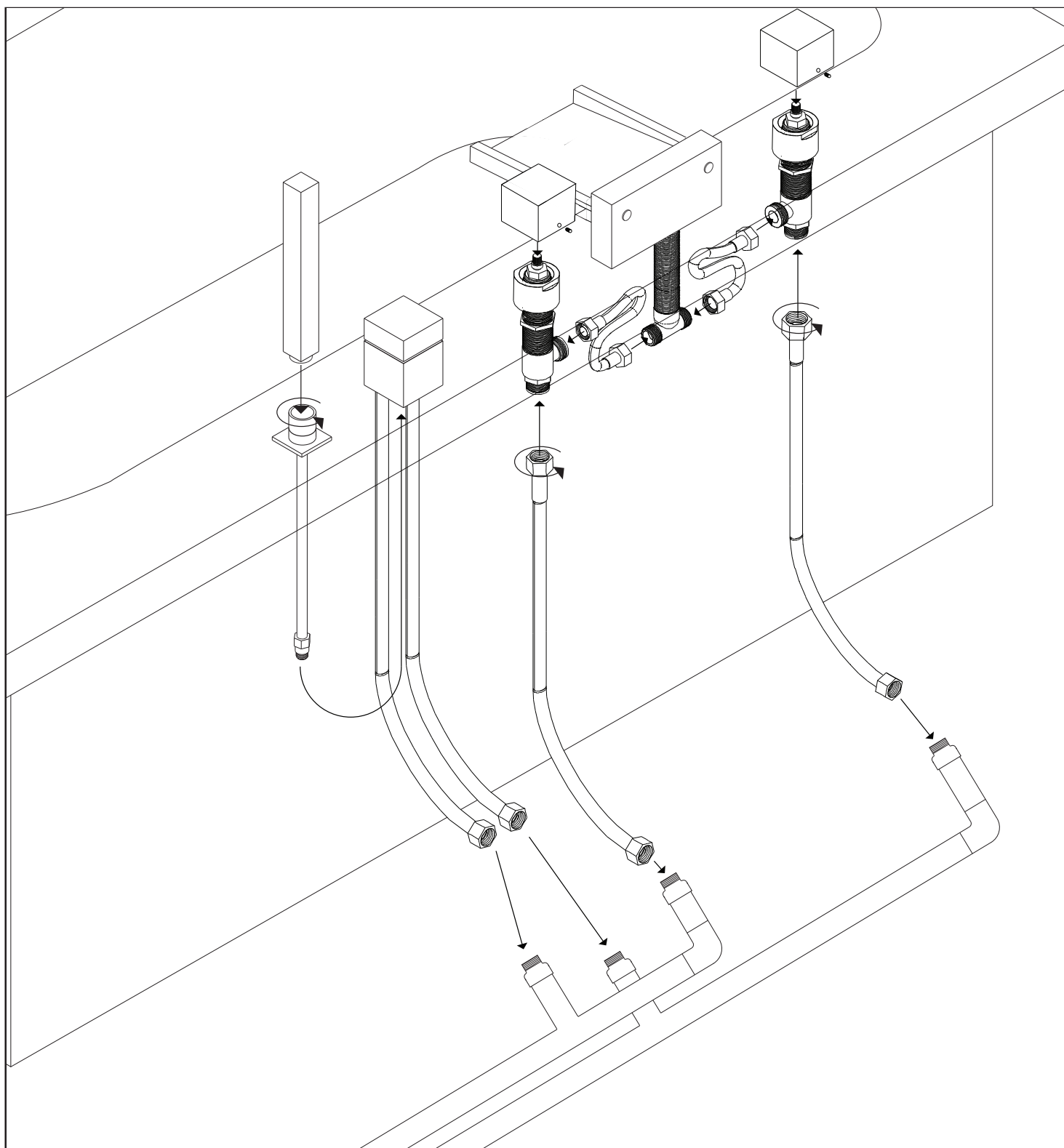
F202ALT-5

quarto 5-hole deck mount tub filler,
cube control, open extended spout

STEP 4

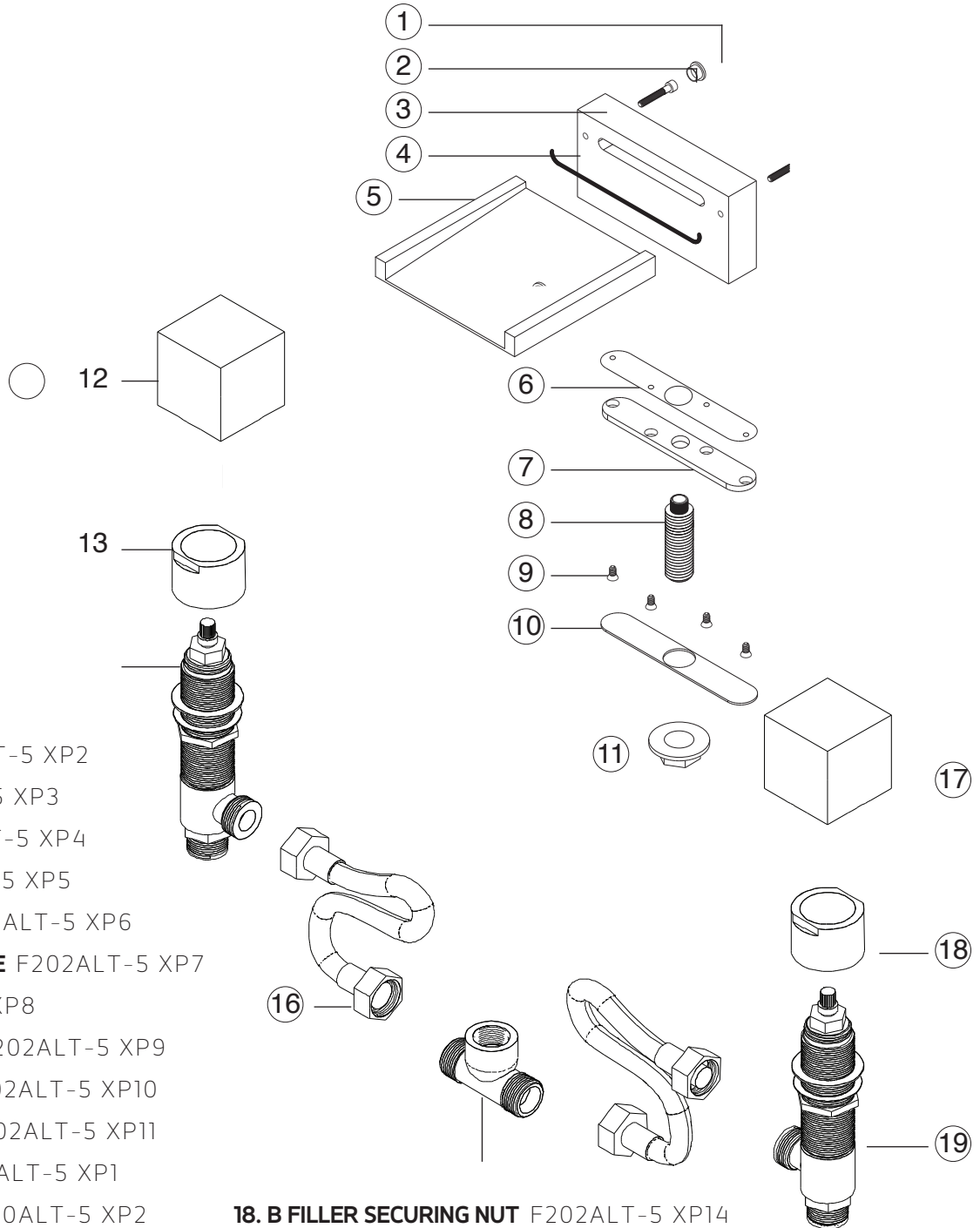


INSTALLATION STEPS



F202ALT-5

quarto 5-hole deck mount tub filler,
cube control, open extended spout



1. SCREW CAPS F202ALT-5 XP1

2. TUB FILLER SCREWS F202ALT-5 XP2

3. TUB FILLER BODY F202ALT-5 XP3

4. TUB FILLER GASKET F202ALT-5 XP4

5. TUB FILLER SPOUT F202ALT-5 XP5

6. TUB FILLER SEAL UPPER F202ALT-5 XP6

7. TUB FILLER CONNECTOR PLATE F202ALT-5 XP7

8. SPOUT CONNECTOR F202-5 XP8

9. TUB FILLER PLATE SCREWS F202ALT-5 XP9

10. TUB FILLER SEAL LOWER F202ALT-5 XP10

11. TUB FILLER SECURING NUT F202ALT-5 XP11

12. HOT CONTROL HANDLE F202ALT-5 XP1

13. HOT CONTROL DRESS RING F20ALT-5 XP2

14. HOT CONTROL BODY F202ALT-5 XP3

15. SCREW CAPS F202ALT-5 XP4

16. POUT CONNECTOR F202ALT-5 XP11

17. TUB FILLER PLATE SCREWS F202ALT-5 XP12

18. TUB FILLER SEAL LOWER F202ALT-5 XP13

18. B FILLER SECURING NUT F202ALT-5 XP14

19. SUPPLY T F202ALT-5 XP15

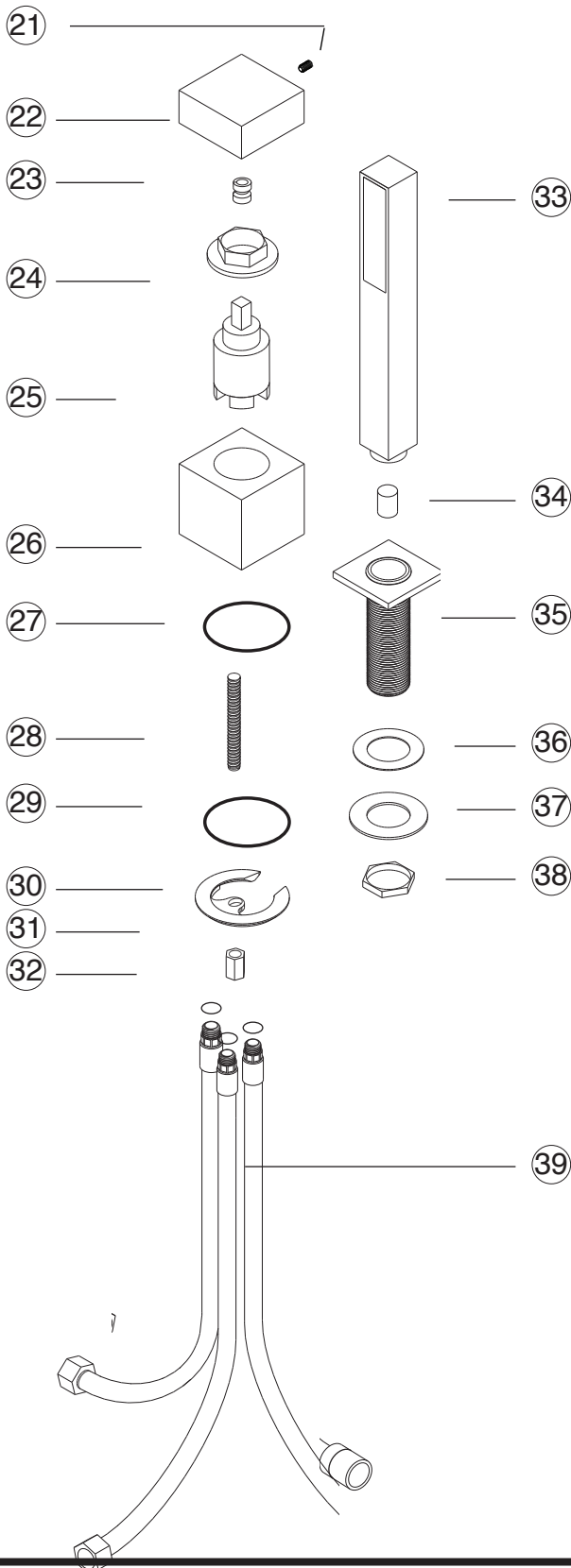
20. SUPPLY HOSES F202ALT-5 XP16

21. COLD CONTROL HANDLE F202ALT-5 XP17

22. COLD CONTROL DRESS RING F202ALT-5 XP18

23. COLD CONTROL BODY F202ALT-5 XP19

PARTS BREAKDOWN



- ②0 SET SCREW F202ALT-5 XP20
- ②1 CONTROL HANDLE F202ALT-5 XP21
- ②2 CONTROL HANDLE ADAPTER F202ALT-5 XP22
- ②3 CONTROL CARTRIDGE SECURING NUT F202ALT-5 XP23
- ②4 CONTROL CARTRIDGE F202ALT-5 XP24
- ②5 CONTROL BODY F202ALT-5 XP25
- ②6 CONTROL DECK GASKET UPPER F202ALT-5 XP26
- ②7 STAY BAR F202ALT-5 XP27
- ②8 CONTROL DECK GASKET LOWER F202ALT-5 XP28
- ②9 MOUNTING BRACKET FLANGE F202ALT-5 XP29
- ③0 FLANGE SECURING NUT F202ALT-5 XP30
- ③1 O-RINGS F202ALT-5 XP31
- ③2 SUPPLY HOSES F202ALT-5 XP32
- ③3 HAND SHOWER F202ALT-5 XP33
- ③4 HAND SHOWER CHECK VALVE F202ALT-5 XP34
- ③5 HAND SHOWER CONNECTOR F202ALT-5 XP35
- ③6 HAND SHOWER RUBBER WASHER F202ALT-5 XP36
- ③7 HAND SHOWER METAL WASHER F202ALT-5 XP37
- ③8 HAND SHOWER SECURING NUT F202ALT-5 XP38
- ③9 HAND SHOWER SUPPLY HOSE F202-5 XP39

artos[®]

F202ALT-5

quarto 5-hole deck mount tub filler,
cube control, open extended spout

CARE & MAINTENANCE

For best results, keep the following in mind to retain the high quality finish of your artos[®] faucets:

- Use a soft, dampened sponge or cloth. On no account should you use an abrasive material such as a brush, scouring pad or steel wool to clean surfaces.
- Test your cleaning agent solution on an inconspicuous area before applying to the entire faucet.
- Wipe surfaces clean and rinse completely with water immediately after applying cleaning agent.
- An ideal cleaning technique is to rinse faucet thoroughly and blot dry any water from the surface after each use.

LIMITED LIFETIME WARRANTY

artos[®] faucets are guaranteed for life against leaks and finishing defects for as long as the original purchaser owns it.

Damage caused by accident, misuse, abuse, improper installation, improper cleaning or alteration will void the warranty. This warranty does not cover replacement parts where damage is caused by normal wear and tear. Westover, Inc is not responsible for labor charges, installation or other incidental or consequential costs. Proof of purchase must be provided with all claims.

Please register this product online at WWW.ARTOS.US.COM

ITEM NO. **F202ALT-5**
SERIAL NO.