

artos[®]

F202ALT-4

INSTALLATION GUIDE

quarto wall mount tub filler,
deck mount lever control,
open extended spout

BRUSHED NICKEL(BN)



BLACK(BK)



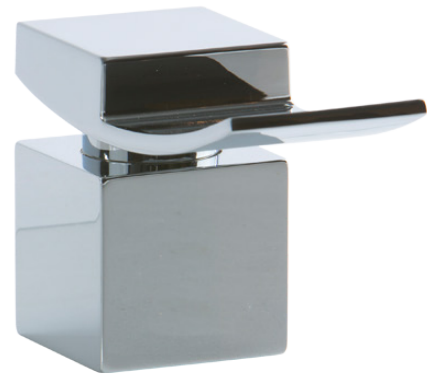
CHROME(CH)



WHITE(WH)



POLISHED NICKEL(PN)



artos[®]

F202ALT-4

OPERATING SPECIFICATIONS

quarto wall mount tub filler,
deck mount lever control,
open extended spout



FEATURES

Open Spout, Waterfall Flow

OPERATING PRESSURE

Minimum: 15 psi

Maximum: 75 psi

Above 90psi it may be necessary to install a pressure reducer

OPERATING TEMPERATURE

Maximum: 176°

FLOW RATE

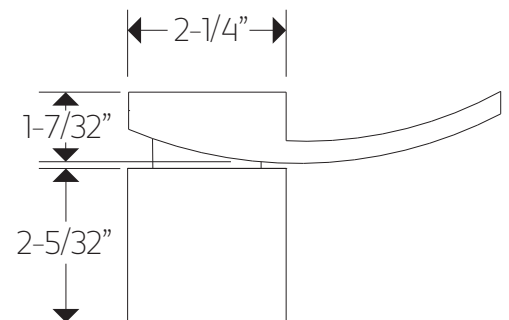
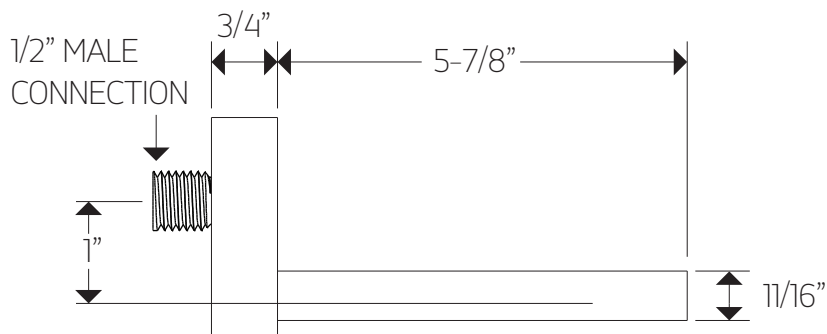
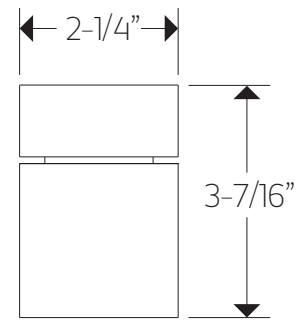
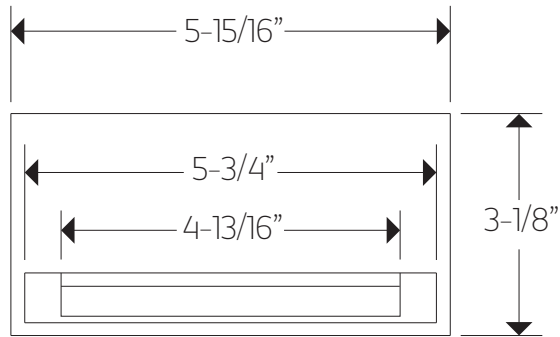
10.0 USGPM

artos[®]

F202ALT-4

PRODUCT DIMENSIONS

quarto wall mount tub filler,
deck mount lever control,
open extended spout

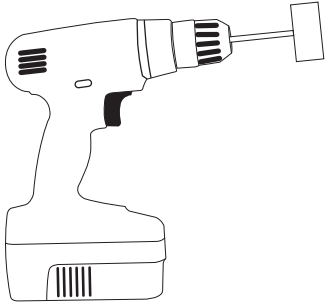


artos[®]

F202ALT-4

quarto wall mount tub filler,
deck mount lever control,
open extended spout

STEP 1

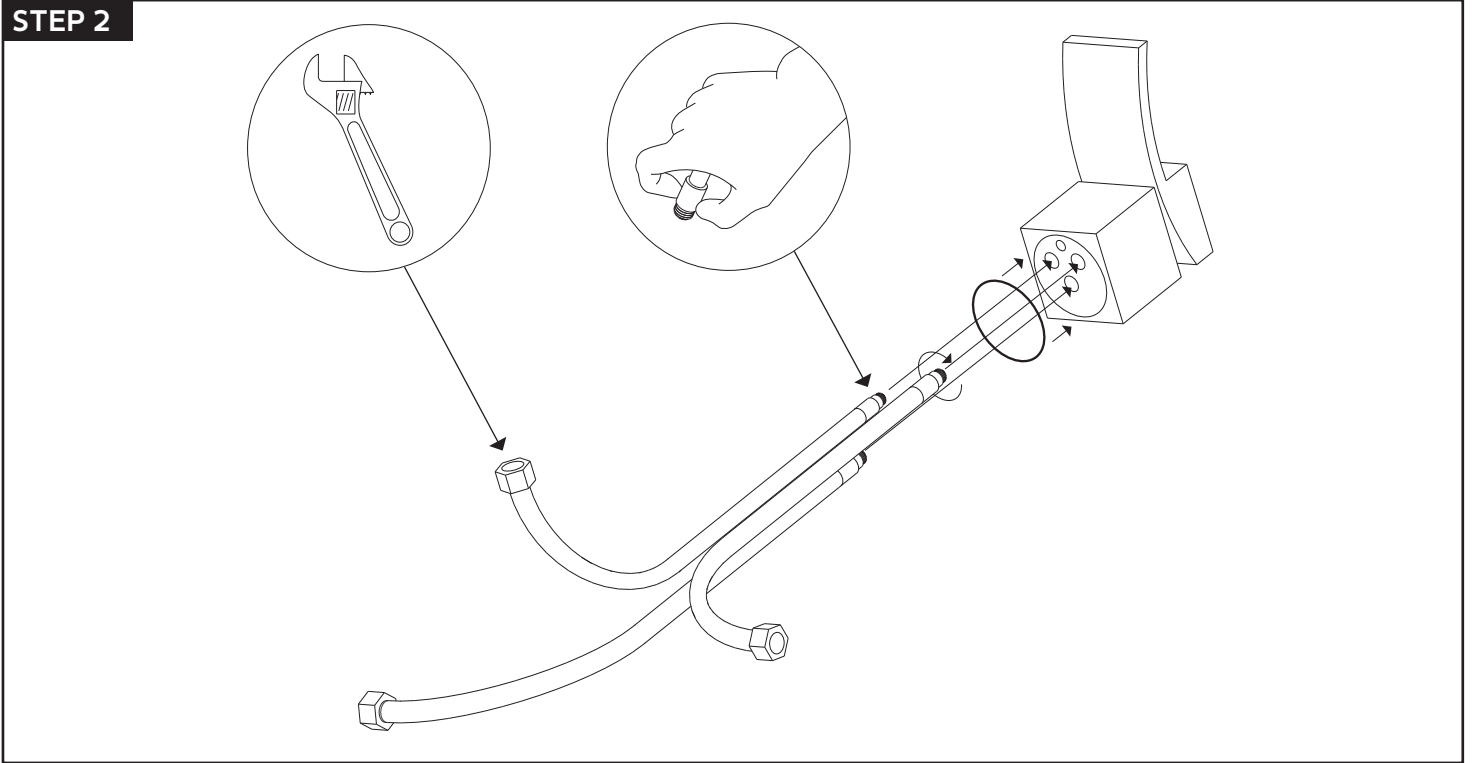


2" MAX
TUB DECK
THICKNESS

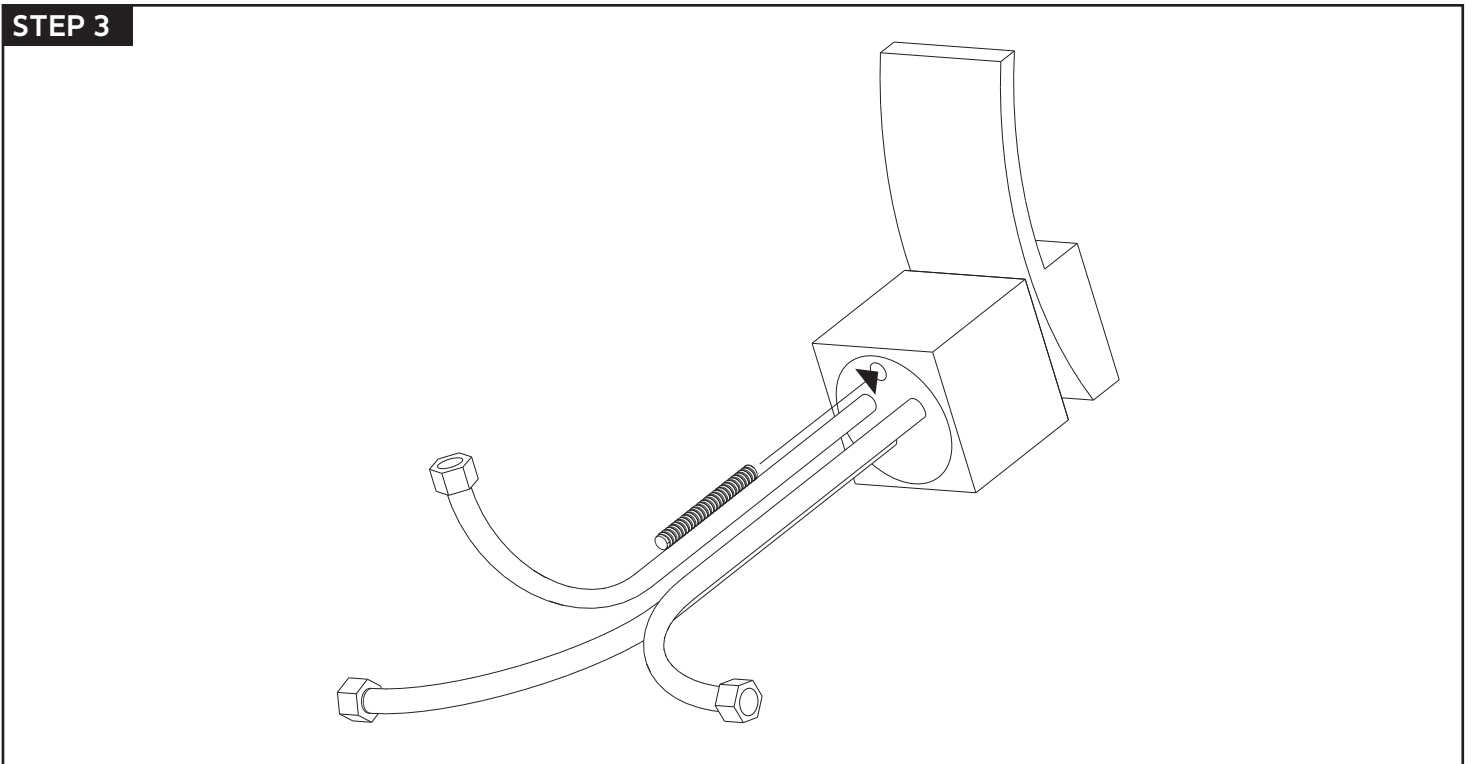
Ø 1-1/2"
CONTROL HOLE
DIAMETER

INSTALLATION STEPS

STEP 2



STEP 3

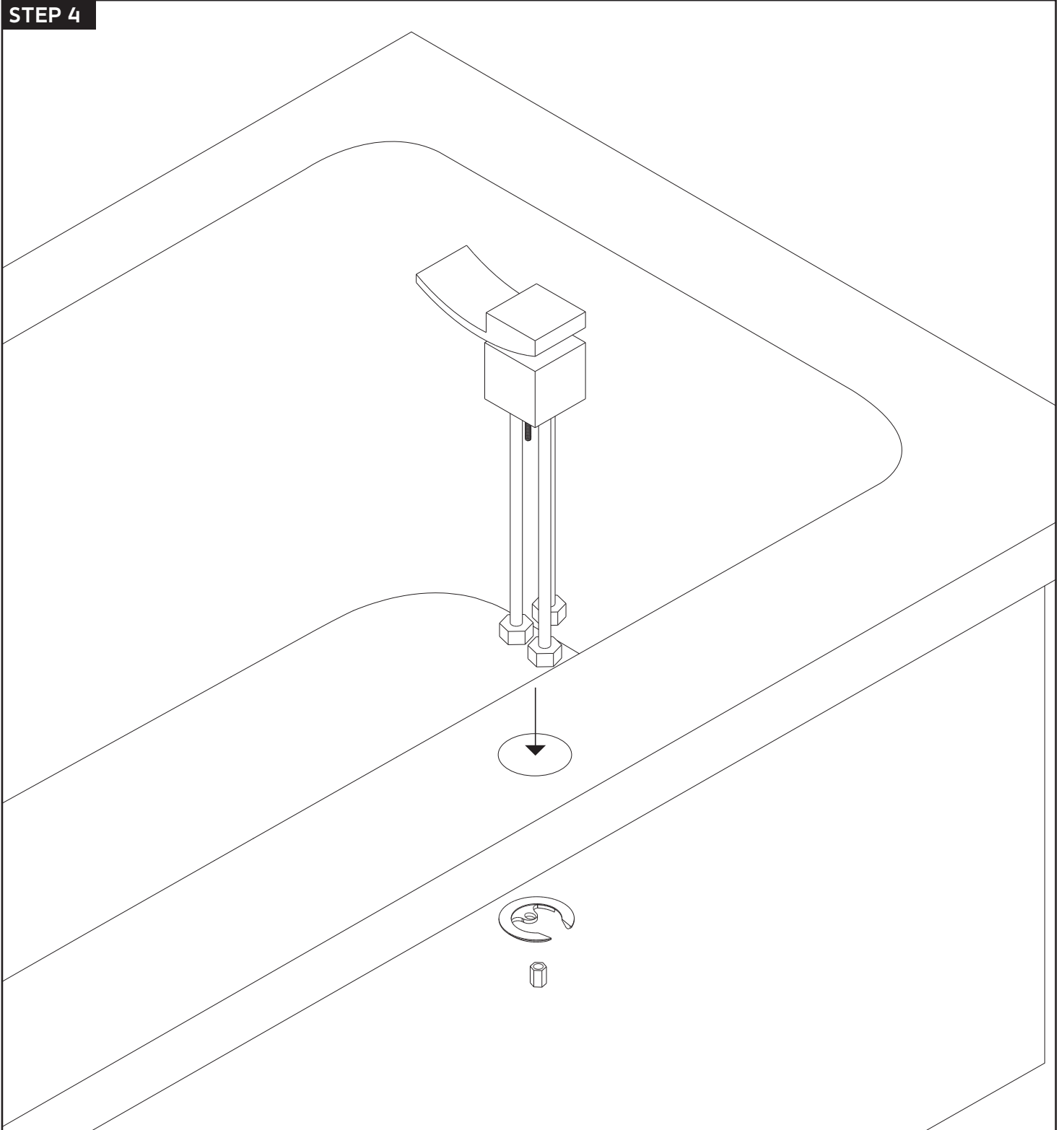


artos[®]

F202ALT-4

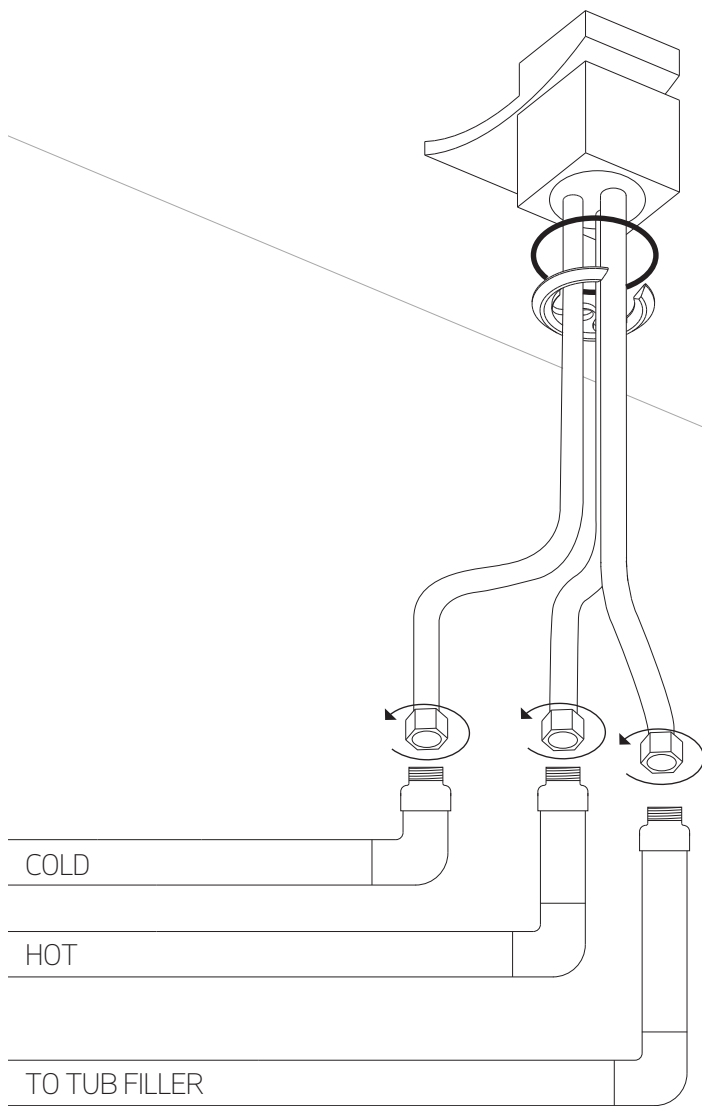
quarto wall mount tub filler,
deck mount lever control,
open extended spout

STEP 4



INSTALLATION STEPS

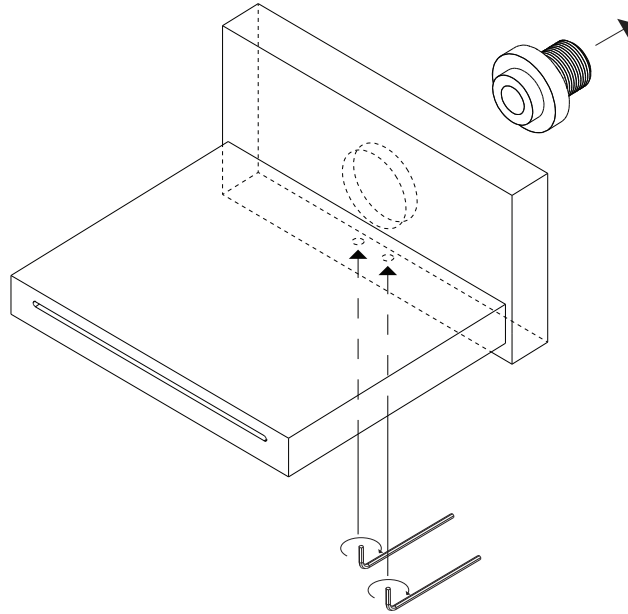
STEP 5



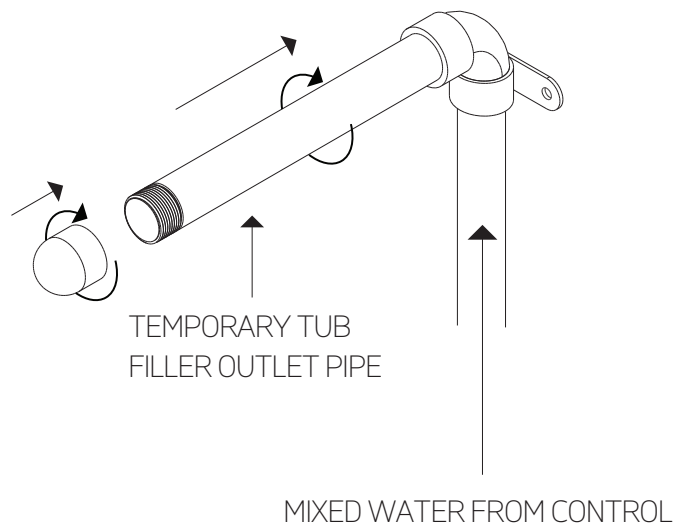
F202ALT-4

quarto wall mount tub filler,
deck mount lever control,
open extended spout

STEP 6



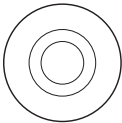
STEP 7



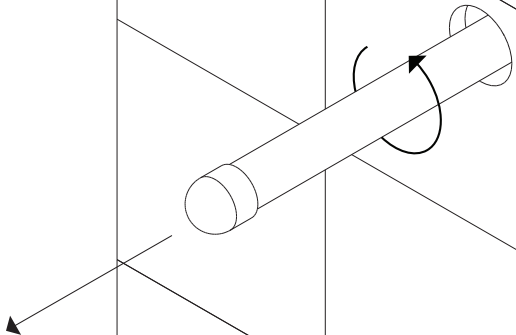
INSTALLATION STEPS

STEP 8

1-1/2"
HOLES THROUGH
FINISHED WALL



STEP 9

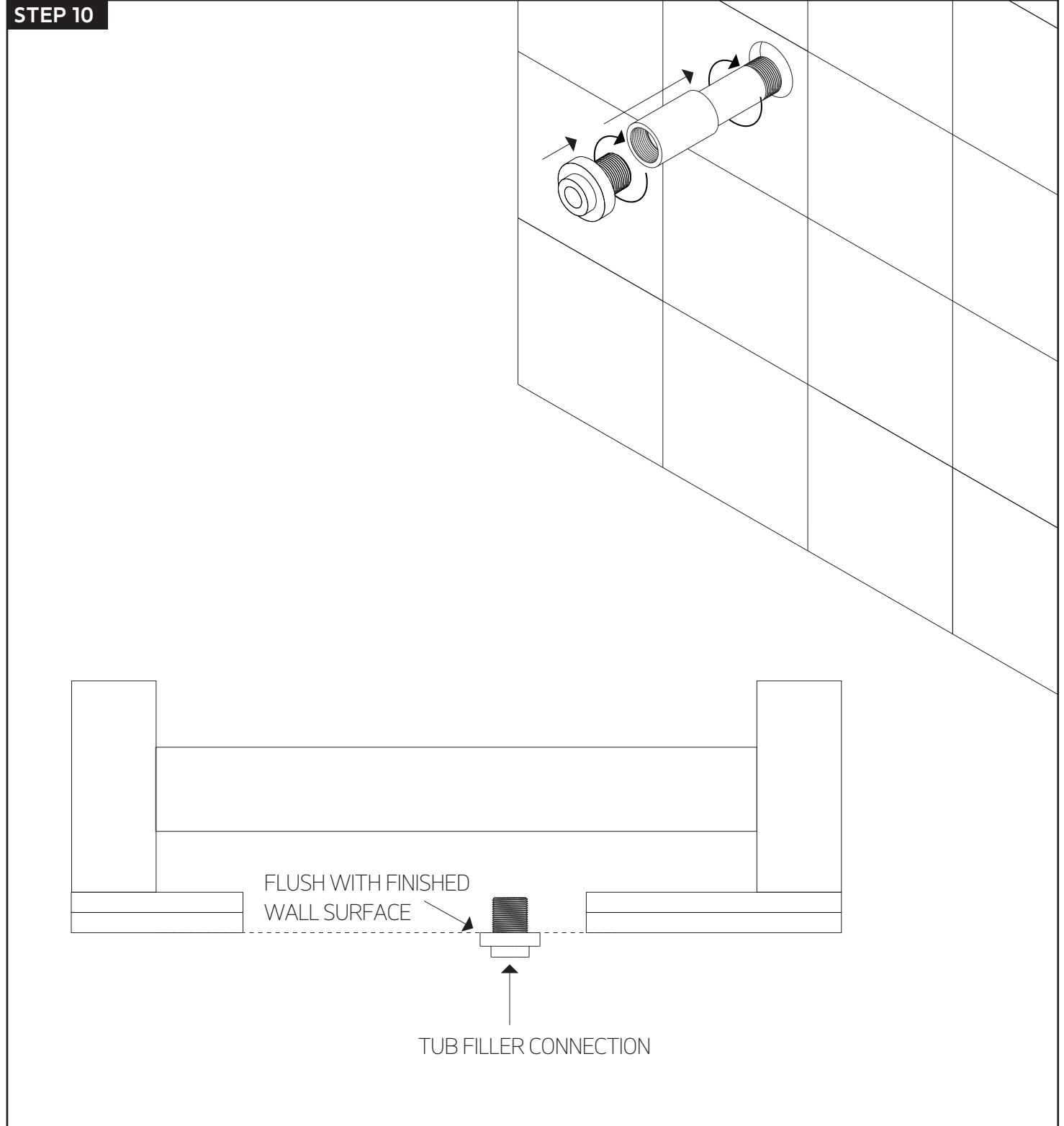


artos[®]

F202ALT-4

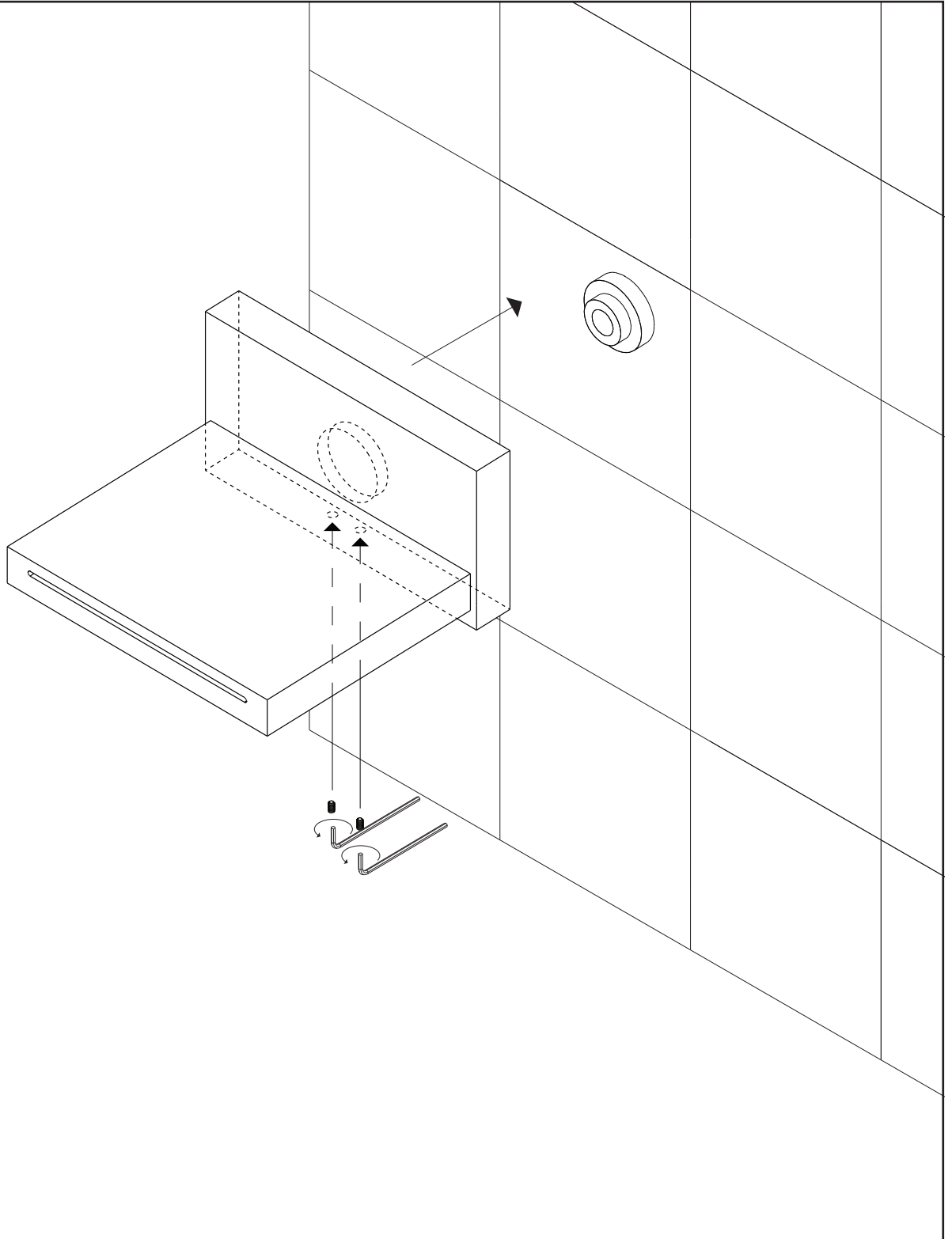
quarto wall mount tub filler,
deck mount lever control,
open extended spout

STEP 10



INSTALLATION STEPS

STEP 11

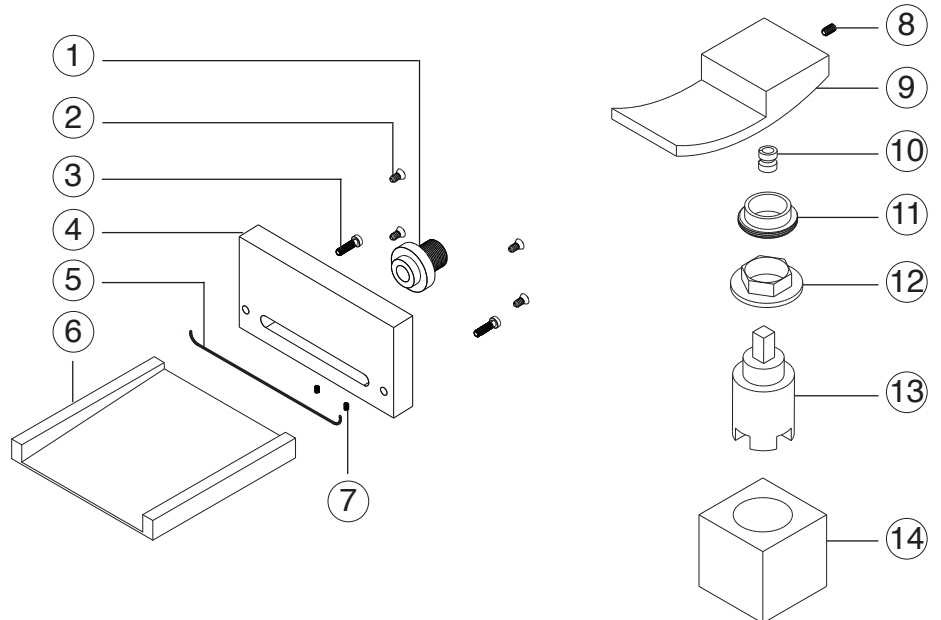


artos[®]

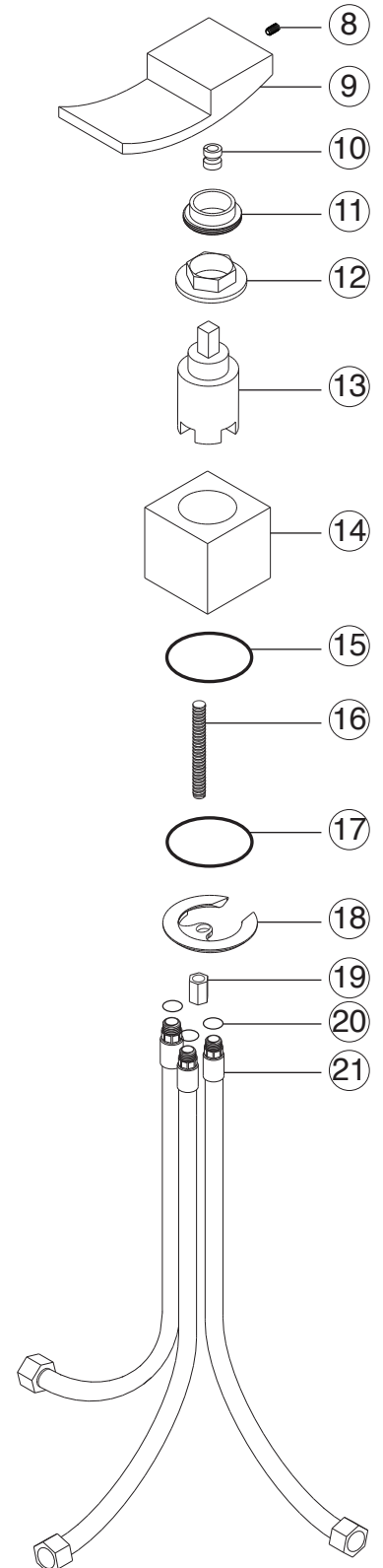
F202ALT-4

PARTS BREAKDOWN

quarto wall mount tub filler,
deck mount lever control,
open extended spout



- ① **TUB FILLER MALE CONNECTOR** F202ALT-4 XP1
- ② **TUB FILLER SCREWS** F202ALT-4 XP2
- ③ **BODY TO SPOUT SCREWS** F202ALT-4 XP3
- ④ **TUB FILLER BODY** F202ALT-4 XP4
- ⑤ **TUB FILLER GASKET** F202ALT-4 XP5
- ⑥ **TUB FILLER SPOUT** F202ALT-4 XP6
- ⑦ **SPOUT TO CONNECTOR SET SCREWS** F202ALT-4 XP7
- ⑧ **SET SCREW** F202ALT-4 XP8
- ⑨ **CONTROL HANDLE** F202ALT-4 XP9
- ⑩ **CONTROL HANDLE ADAPTER** F202ALT-4 XP10
- ⑪ **CONTROL DRESS RING** F202ALT-4 XP11
- ⑫ **CONTROL CARTRIDGE SECURING NUT** F202ALT-4 XP12
- ⑬ **CONTROL CARTRIDGE** F202ALT-4 XP13
- ⑭ **CONTROL BODY** F202ALT-4 XP14
- ⑮ **CONTROL DECK GASKET UPPER** F202ALT-4 XP15
- ⑯ **STAY BAR** F202ALT-4 XP16
- ⑰ **CONTROL DECK GASKET LOWER** F202ALT-4 XP17
- ⑱ **MOUNTING BRACKET FLANGE** F202ALT-4 XP18
- ⑲ **FLANGE SECURING NUT** F202ALT-4 XP19
- ⑳ **O-RINGS** F202ALT-4 XP20
- ㉑ **SUPPLY HOSES** F202ALT-4 XP21



artos[®]

F202ALT-4

quarto wall mount tub filler,
deck mount lever control,
open extended spout

CARE & MAINTENANCE

For best results, keep the following in mind to retain the high quality finish of your artos[®] faucets:

- Use a soft, dampened sponge or cloth. On no account should you use an abrasive material such as a brush, scouring pad or steel wool to clean surfaces.
- Test your cleaning agent solution on an inconspicuous area before applying to the entire faucet.
- Wipe surfaces clean and rinse completely with water immediately after applying cleaning agent.
- An ideal cleaning technique is to rinse faucet thoroughly and blot dry any water from the surface after each use.

LIMITED LIFETIME WARRANTY

artos[®] faucets are guaranteed for life against leaks and finishing defects for as long as the original purchaser owns it.

Damage caused by accident, misuse, abuse, improper installation, improper cleaning or alteration will void the warranty. This warranty does not cover replacement parts where damage is caused by normal wear and tear. Westover, Inc is not responsible for labor charges, installation or other incidental or consequential costs. Proof of purchase must be provided with all claims.

Please register this product online at WWW.ARTOS.US.COM

ITEM NO. **F202ALT-4**
SERIAL NO.