

artos[®]

F202-5

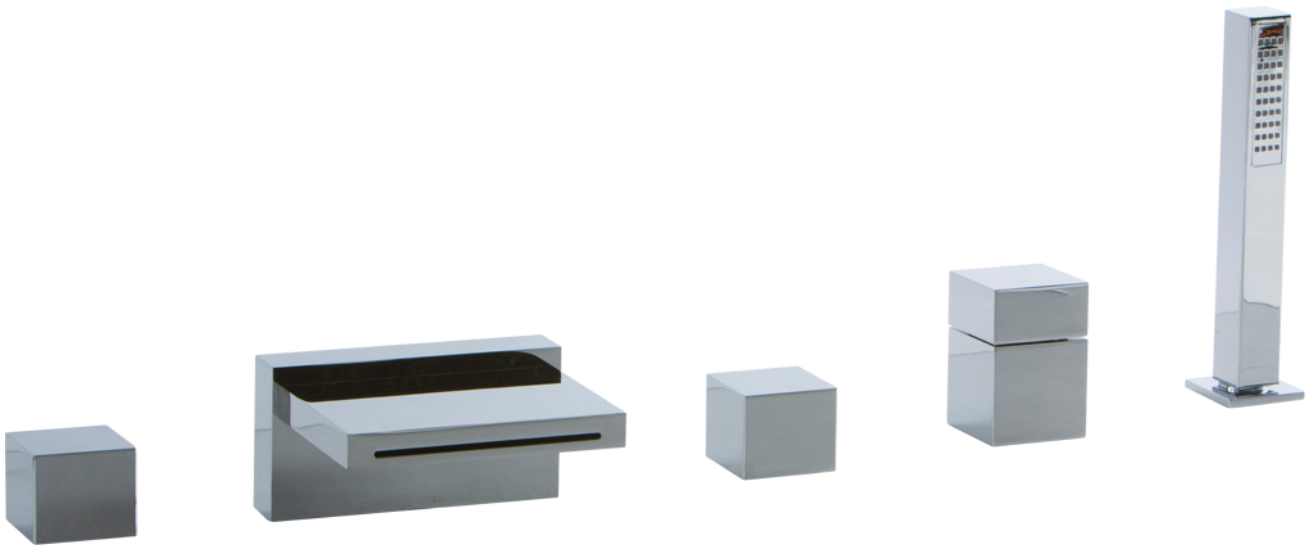
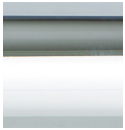
INSTALLATION GUIDE

quarto 5-hole deck mount tub
filler, cube control

BRUSHED NICKEL(BN)



CHROME(CH)



artos[®]

F202-5

OPERATING SPECIFICATIONS

quarto 5-hole deck mount tub
filler, cube control

FEATURES

Front Ribbon Water Flow
Hand Shower with Separate Control

OPERATING PRESSURE

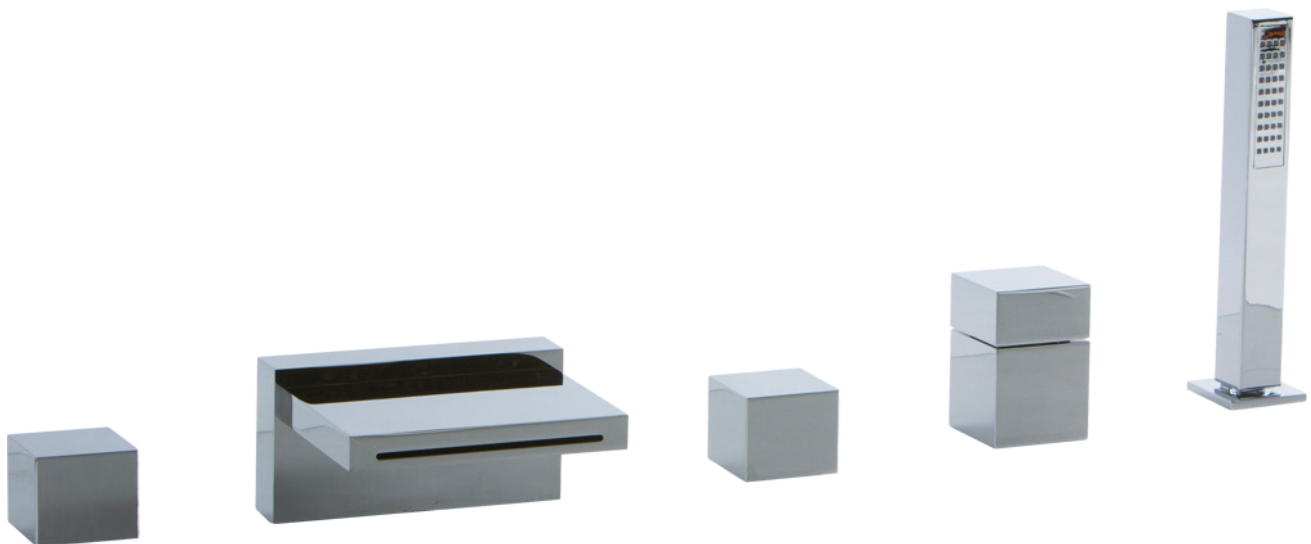
Minimum: 15 psi
Maximum: 75 psi
Above 90psi it may be necessary to install a pressure reducer

OPERATING TEMPERATURE

Maximum: 176°

FLOW RATE

Tub Filler: 15.0 USGPM
Hand Shower: 2.0 USGPM

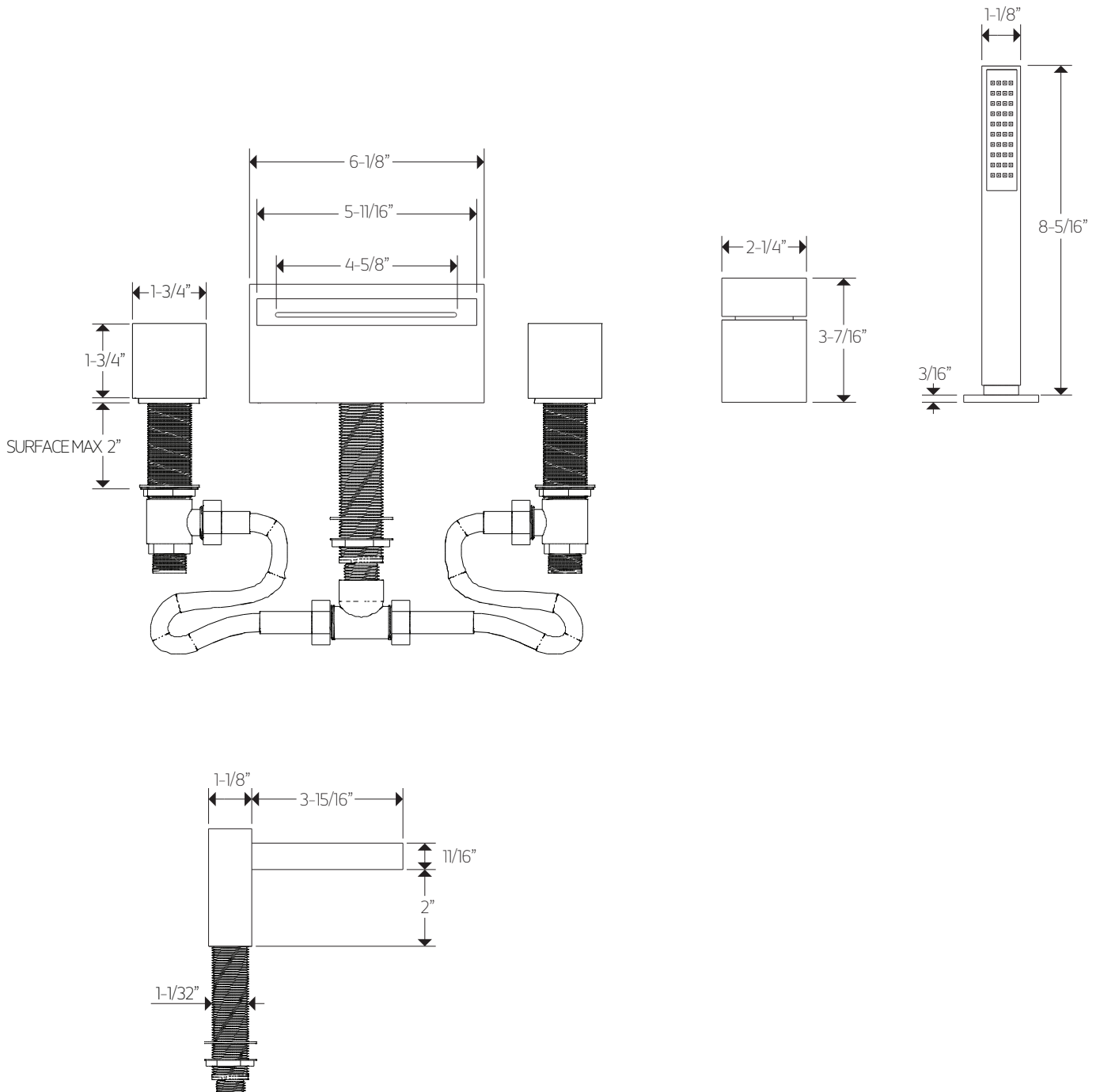


artos[®]

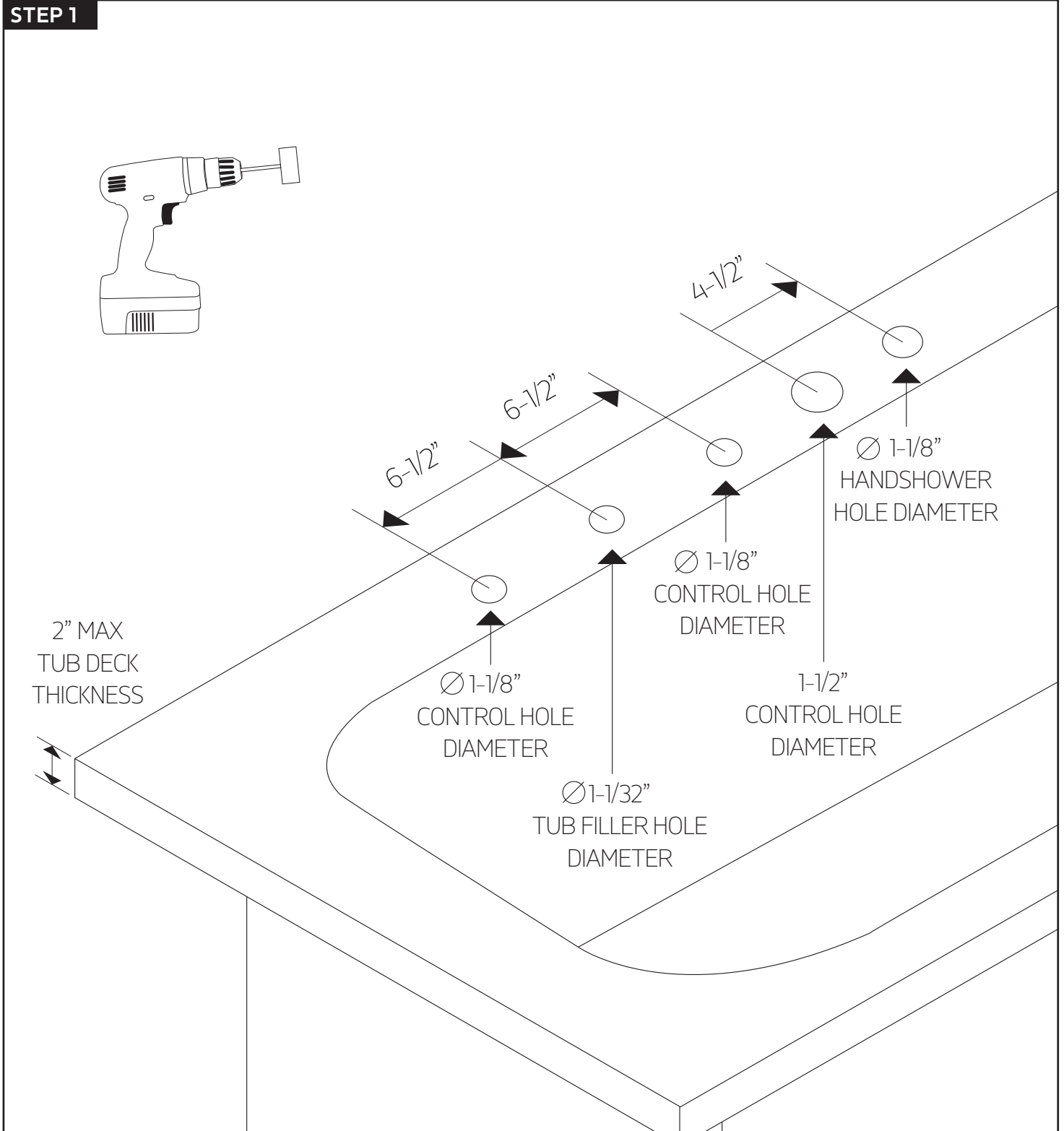
F202-5

PRODUCT DIMENSIONS

quarto 5-hole deck mount tub
filler, cube control

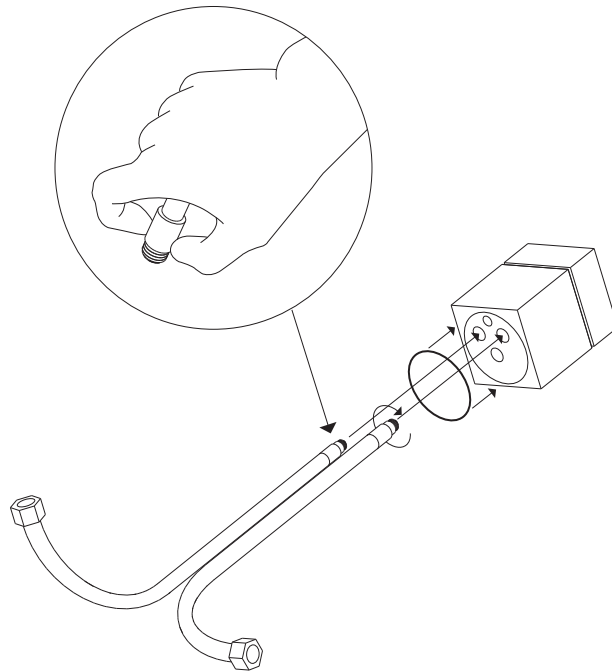


STEP 1

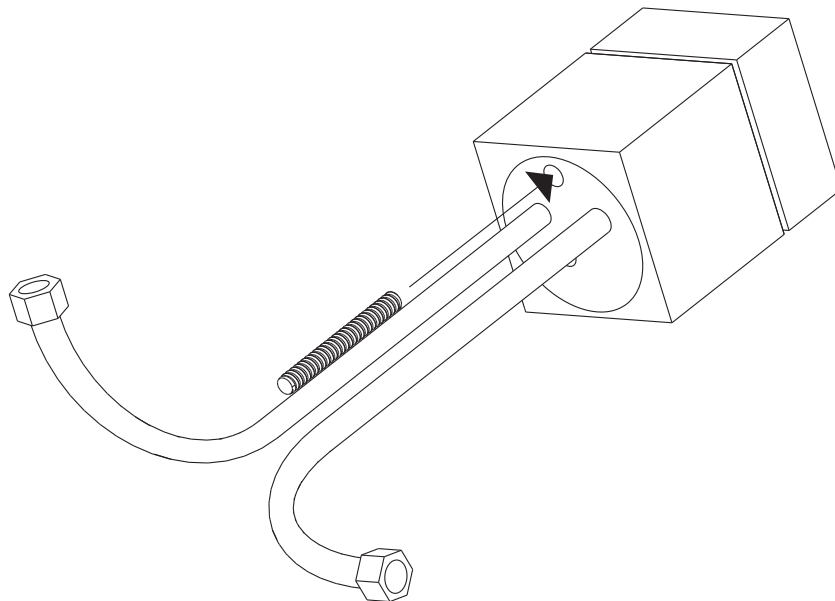


INSTALLATION STEPS

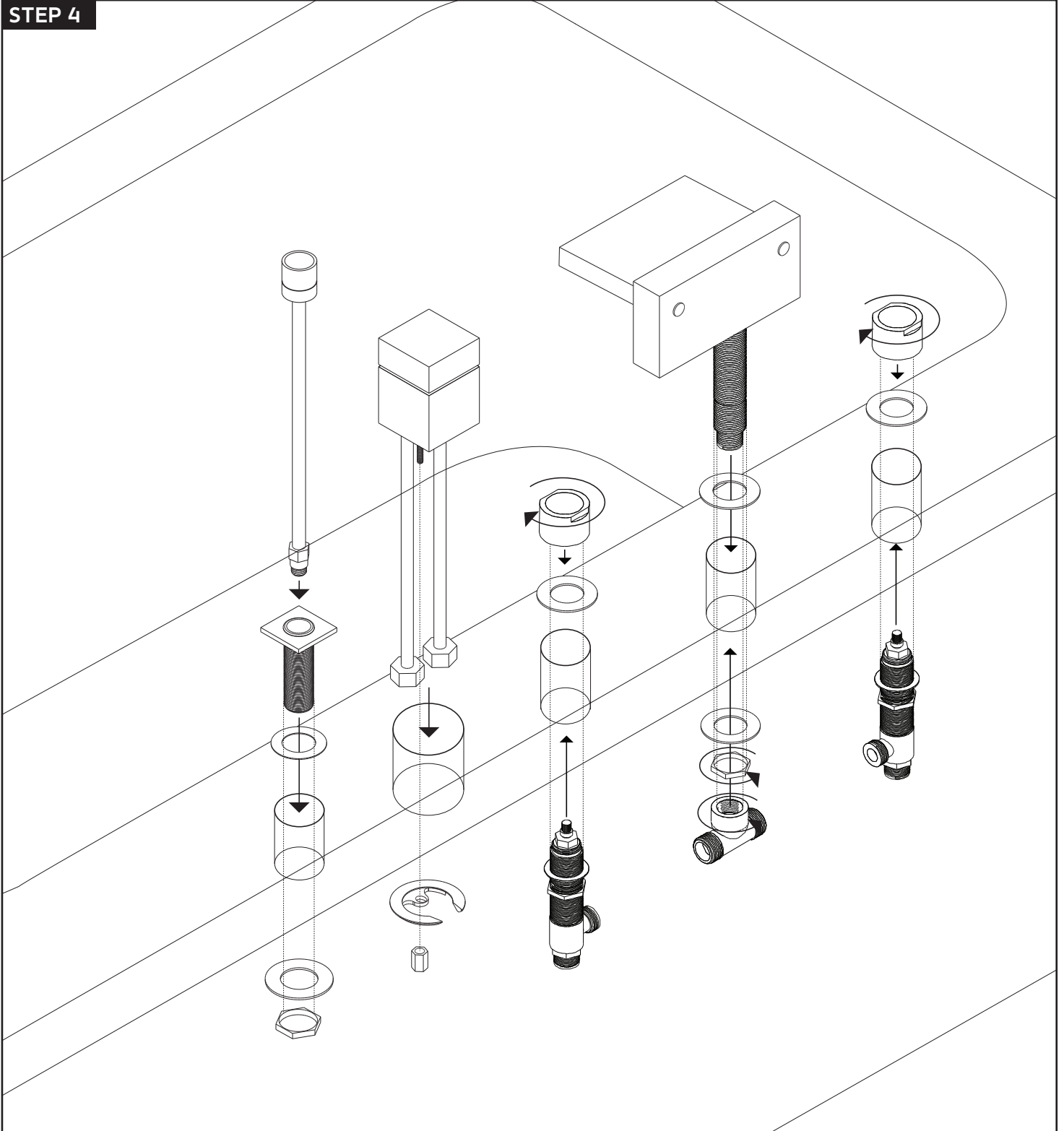
STEP 2



STEP 3

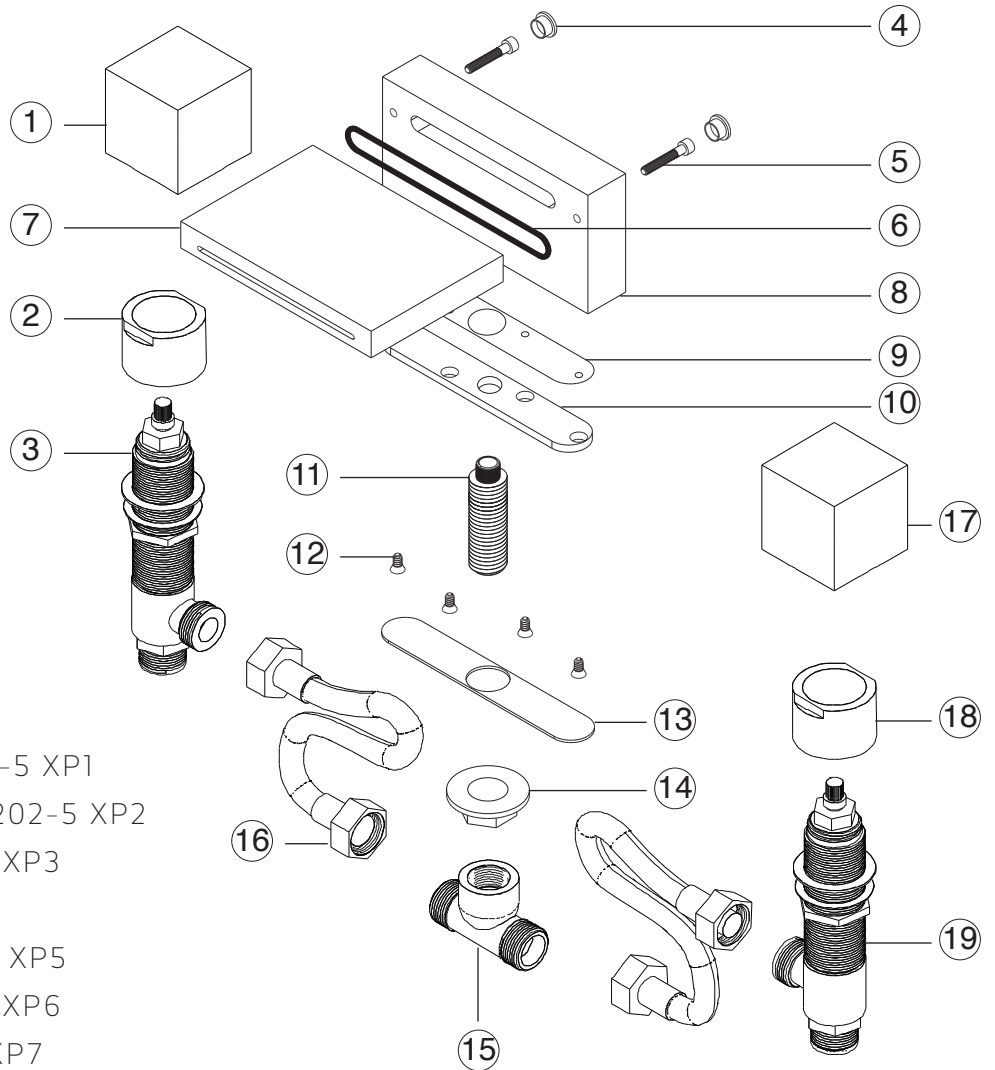


STEP 4



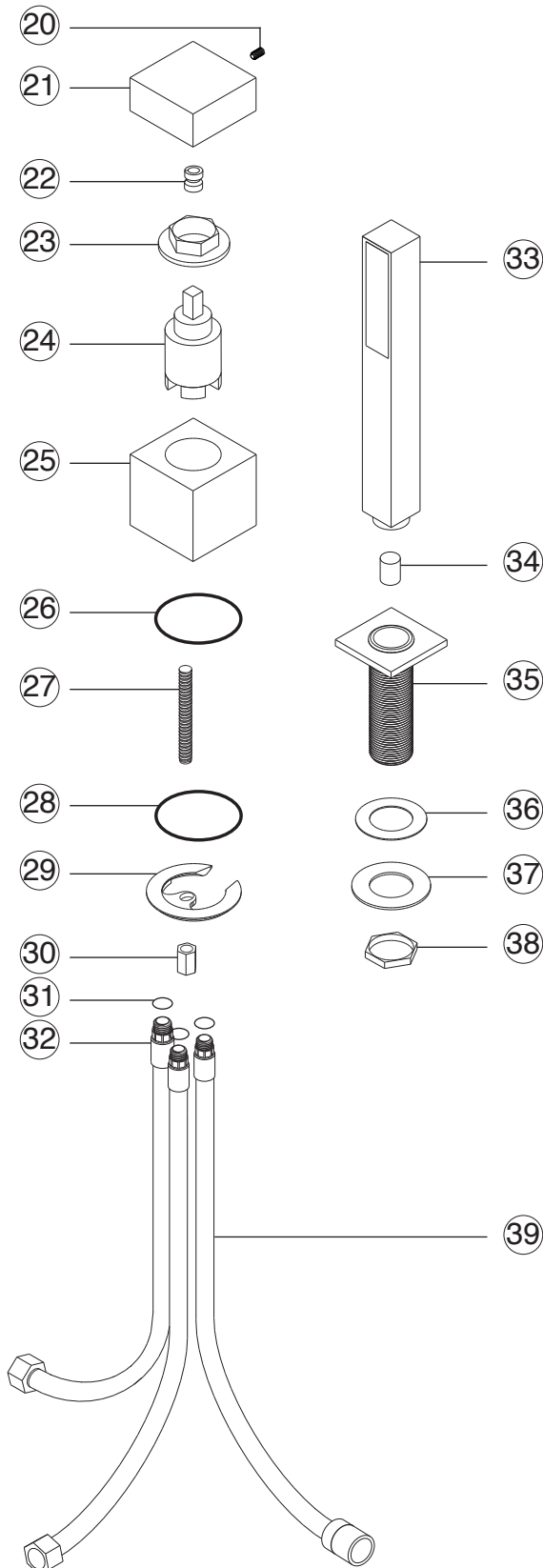
F202-5

quarto 5-hole deck mount tub
filler, cube control



- ① **HOT CONTROL HANDLE** F202-5 XP1
- ② **HOT CONTROL DRESS RING** F202-5 XP2
- ③ **HOT CONTROL BODY** F202-5 XP3
- ④ **SCREW CAPS** F202-5 XP4
- ⑤ **TUB FILLER SCREWS** F202-5 XP5
- ⑥ **TUB FILLER GASKET** F202-5 XP6
- ⑦ **TUB FILLER SPOUT** F202-5 XP7
- ⑧ **TUB FILLER BODY** F202-5 XP8
- ⑨ **TUB FILLER SEAL UPPER** F202-5 XP9
- ⑩ **TUB FILLER CONNECTOR PLATE** F202-5 XP10
- ⑪ **SPOUT CONNECTOR** F202-5 XP11
- ⑫ **TUB FILLER PLATE SCREWS** F202-5 XP12
- ⑬ **TUB FILLER SEAL LOWER** F202-5 XP13
- ⑭ **TUB FILLER SECURING NUT** F202-5 XP14
- ⑮ **SUPPLY T** F202-5 XP15
- ⑯ **SUPPLY HOSES** F202-5 XP16
- ⑰ **COLD CONTROL HANDLE** F202-5 XP17
- ⑱ **COLD CONTROL DRESS RING** F202-5 XP18
- ⑲ **COLD CONTROL BODY** F202-5 XP19

PARTS BREAKDOWN



- ②① SET SCREW F202-5 XP20
- ②① CONTROL HANDLE F202-5 XP21
- ②② CONTROL HANDLE ADAPTER F202-5 XP22
- ②③ CONTROL CARTRIDGE SECURING NUT F202-5 XP23
- ②④ CONTROL CARTRIDGE F202-5 XP24
- ②⑤ CONTROL BODY F202-5 XP25
- ②⑥ CONTROL DECK GASKET UPPER F202-5 XP26
- ②⑦ STAY BAR F202-5 XP27
- ②⑧ CONTROL DECK GASKET LOWER F202-5 XP28
- ②⑨ MOUNTING BRACKET FLANGE F202-5 XP29
- ③① FLANGE SECURING NUT F202-5 XP30
- ③① O-RINGS F202-5 XP31
- ③② SUPPLY HOSES F202-5 XP32
- ③③ HAND SHOWER F202-5 XP33
- ③④ HAND SHOWER CHECK VALVE F202-5 XP34
- ③⑤ HAND SHOWER CONNECTOR F202-5 XP35
- ③⑥ HAND SHOWER RUBBER WASHER F202-5 XP36
- ③⑦ HAND SHOWER METAL WASHER F202-5 XP37
- ③⑧ HAND SHOWER SECURING NUT F202-5 XP38
- ③⑨ HAND SHOWER SUPPLY HOSE F202-5 XP39

artos®

F202-5

CARE & MAINTENANCE

quarto 5-hole deck mount tub
filler, cube control

For best results, keep the following in mind to retain the high quality finish of your artos® faucets:

- Use a soft, dampened sponge or cloth. On no account should you use an abrasive material such as a brush, scouring pad or steel wool to clean surfaces.
- Test your cleaning agent solution on an inconspicuous area before applying to the entire faucet.
- Wipe surfaces clean and rinse completely with water immediately after applying cleaning agent.
- An ideal cleaning technique is to rinse faucet thoroughly and blot dry any water from the surface after each use.

LIMITED LIFETIME WARRANTY

Artos® Limited Lifetime Warranty

Artos® faucets have been manufactured under the highest quality and manufacturing standards. Artos® faucets are guaranteed for life against leaks and manufacturing defects for as long as the original consumer purchaser owns it. This warranty applies to installations in the US, Canada and Mexico (North America). Commercial, Industrial or business uses are warranted for a period of one year from the original date of purchase.

This warranty is non-transferable and applies exclusively to the original owner or end-user. If a defect is found during normal use, Artos® will, at its election, repair, replace or make an appropriate adjustment. Damage caused by accident, misuse, abuse, improper installation or alteration will void the warranty. This warranty does not cover replacement parts where damage is caused by normal wear and tear. Labor charges, installation or other incidental or consequential costs will not be covered.

Replacement parts that qualify for warranty repair can be obtained by contacting Artos® at 1-877-9ARTOS9 or by e-mail at info@artos.us.com. Proof of purchase (original sales receipt) from the original consumer purchaser must accompany all warranty claims. When submitting your claim in writing, please provide your name, address and telephone number.

Please register this product online at WWW.ARTOS.US.COM

Item No: **F202-5**

Serial No: