

artos[®]

F907-76

INSTALLATION GUIDE

6" shower head, wall
mount, angled arm
round +square

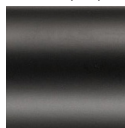
BRUSHED NICKEL(BN)



CHROME(CH)



BLACK(BK)



artos[®]

F907-76

6" shower head, wall
mount, angled arm
round +square

OPERATING SPECIFICATIONS



FEATURES

Solid Brass

OPERATING PRESSURE

Minimum: 15 psi

Maximum: 75 psi

Above 90psi it may be necessary to install a pressure reducer

OPERATING TEMPERATURE

Maximum: 176°

FLOW RATE

1.8 USGPM

APPROVALS

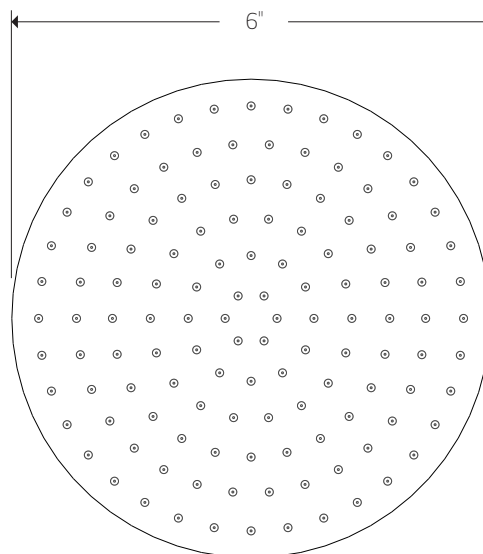
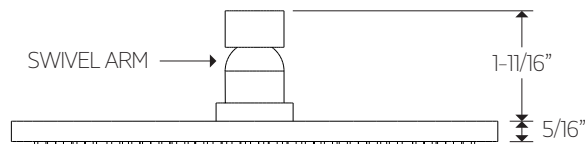
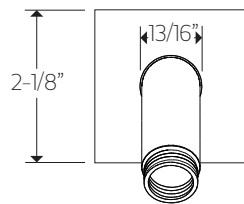
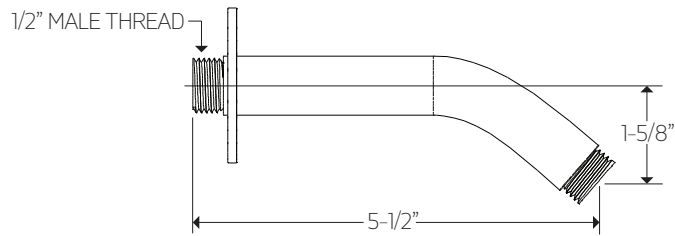


artos[®]

F907-76

PRODUCT DIMENSIONS

6" shower head, wall
mount, angled arm
round +square

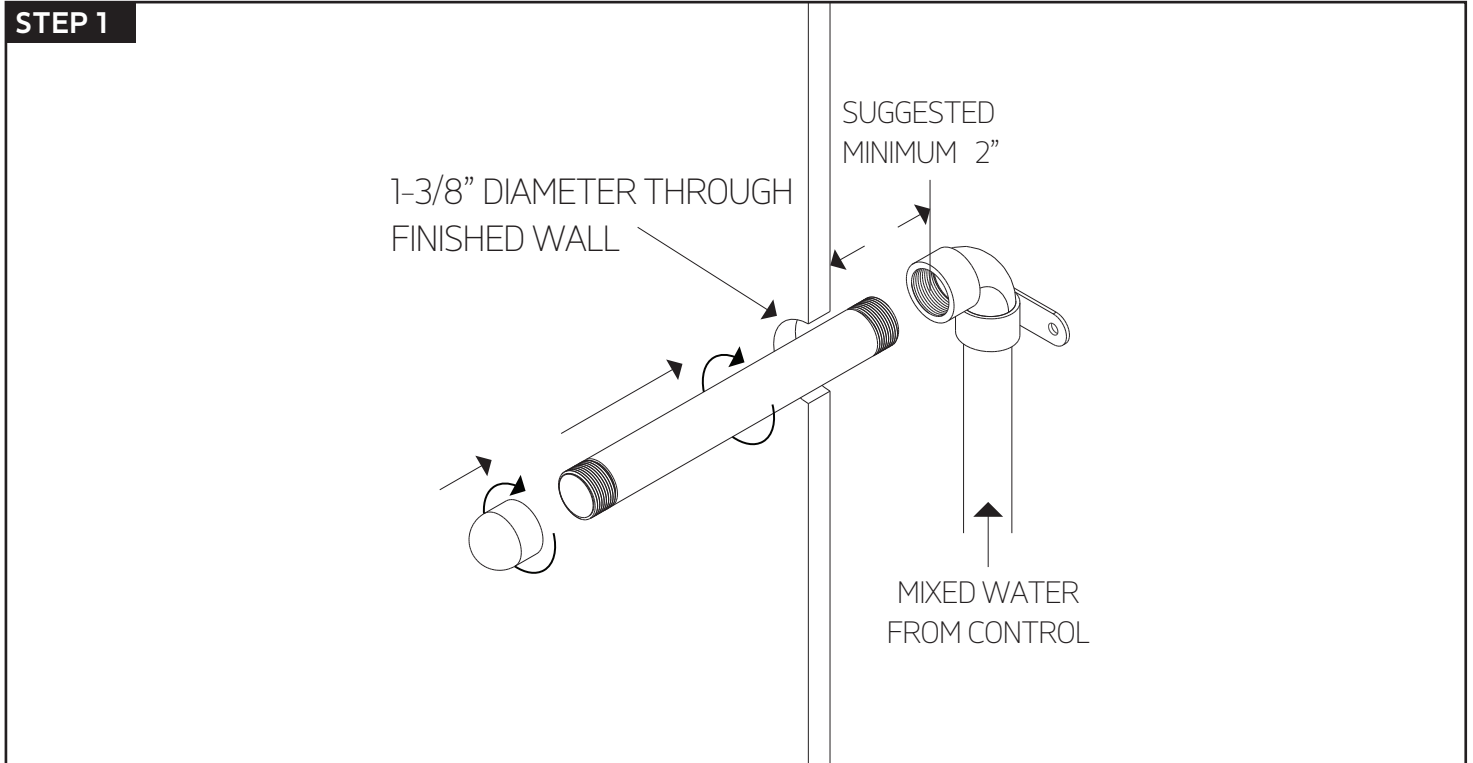


artos[®]

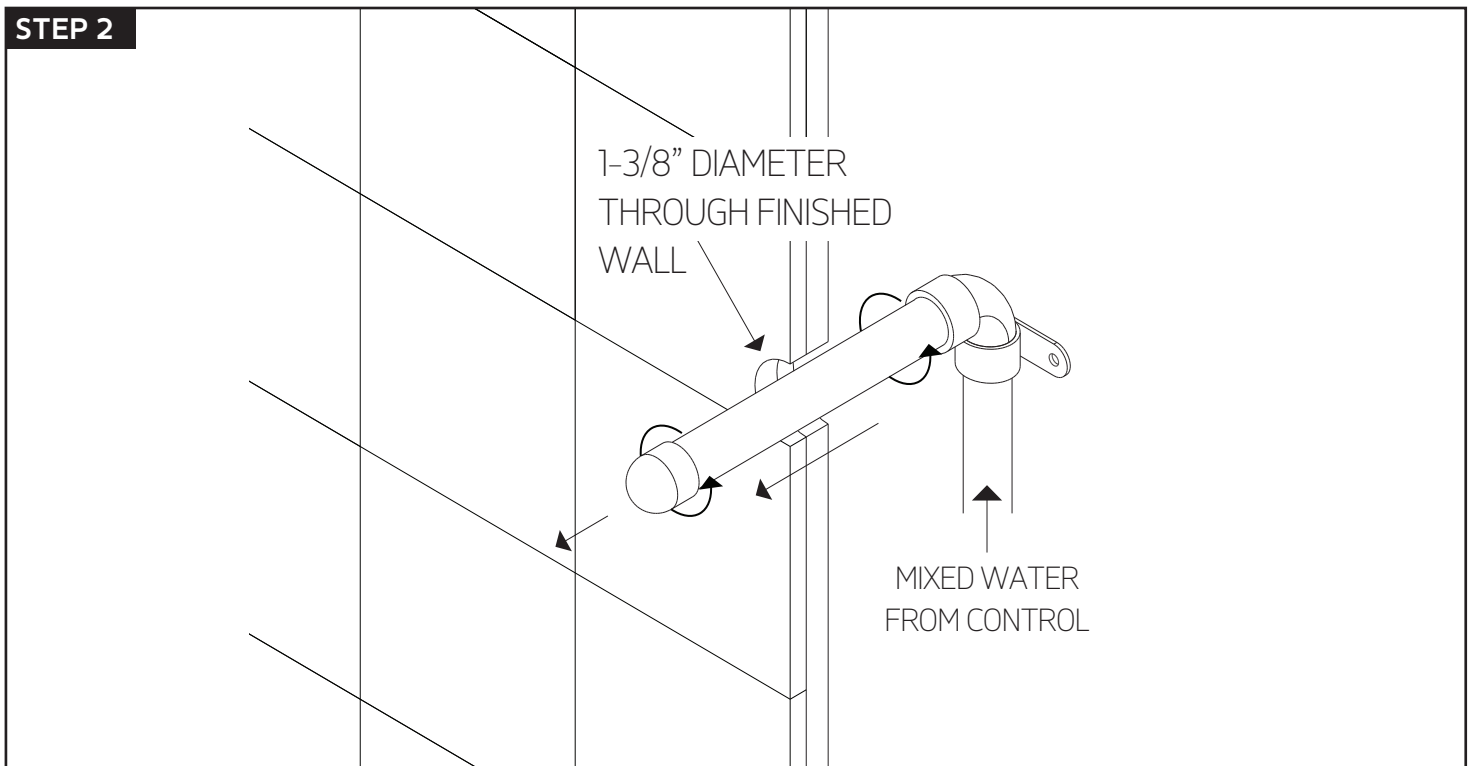
F907-76

6" shower head, wall
mount, angled arm
round +square

STEP 1



STEP 2



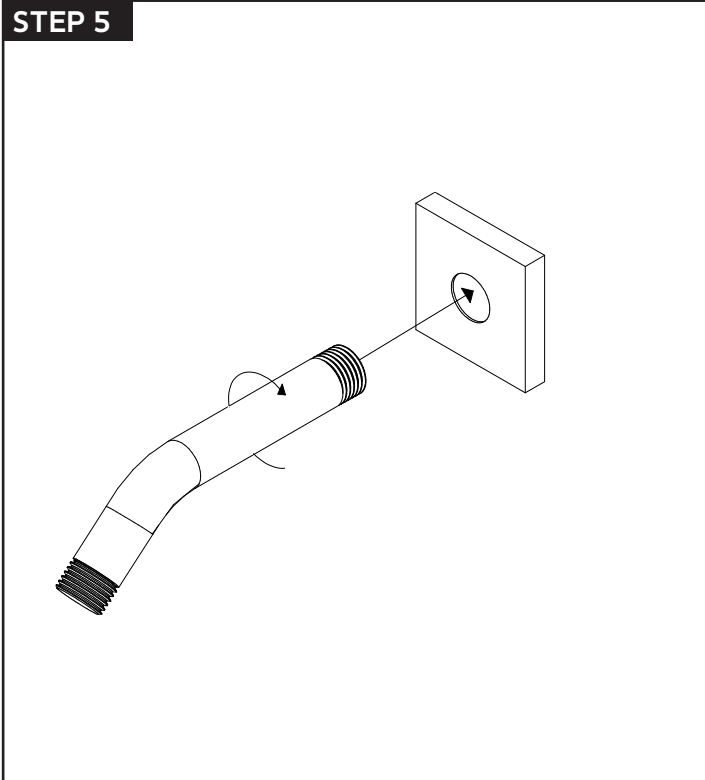
artos[®]

F907-76

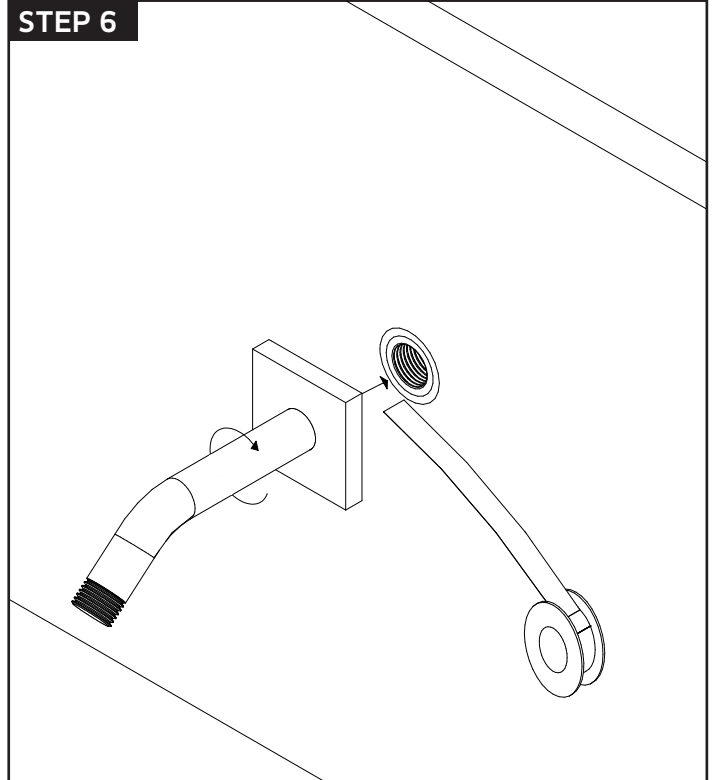
INSTALLATION STEPS

6" shower head, wall
mount, angled arm
round +square

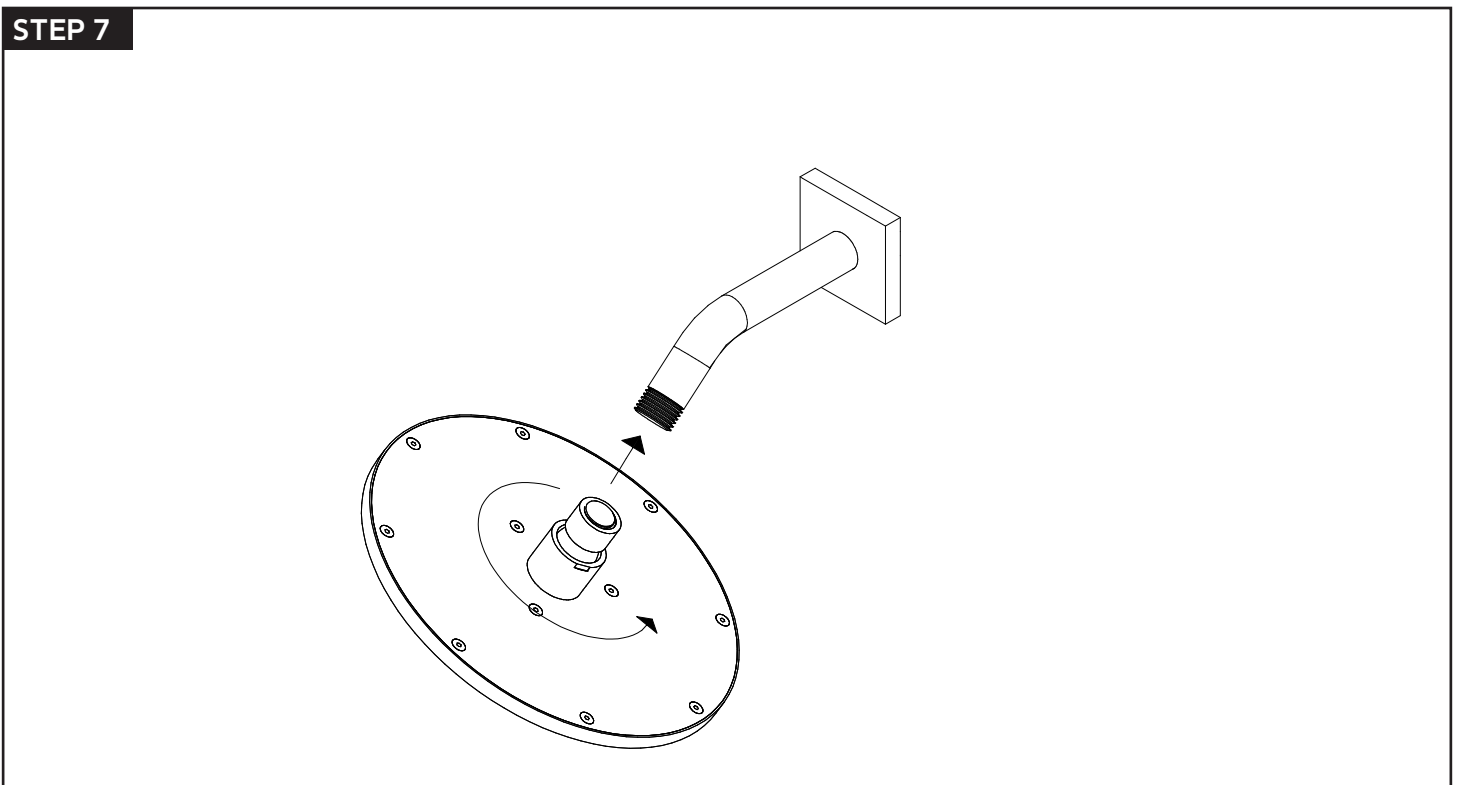
STEP 5



STEP 6



STEP 7

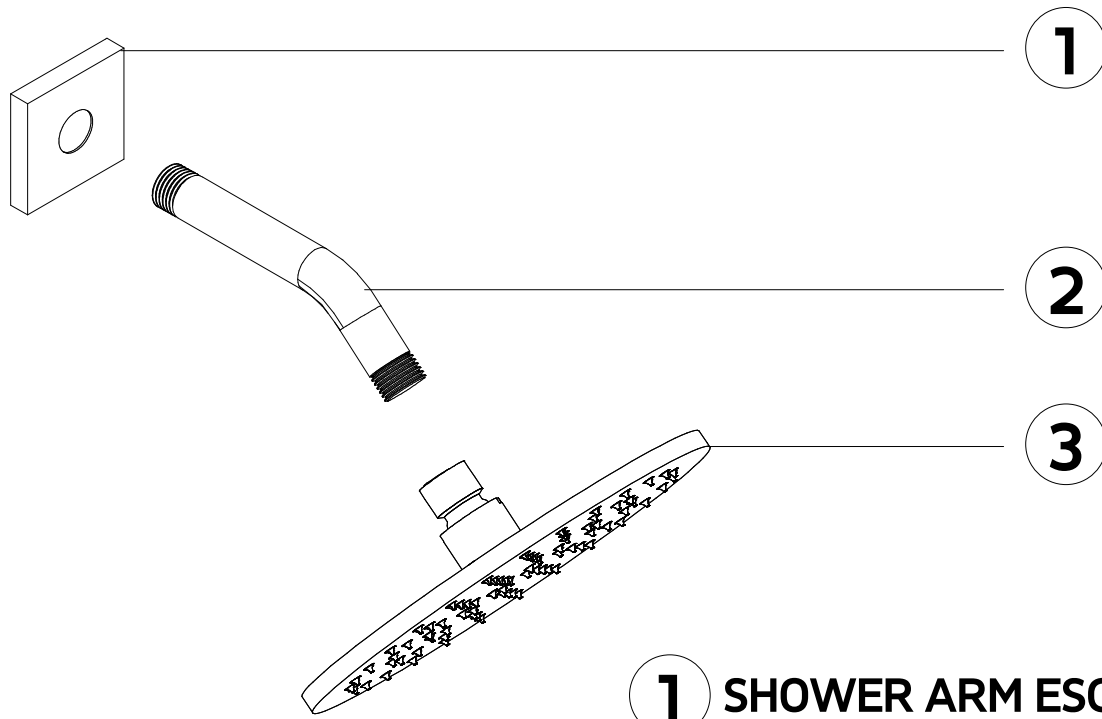


artos®

F907-76

PARTS BREAKDOWN

6" shower head, wall
mount, angled arm
round +square



- 1** SHOWER ARM ESCUTCHEON
- 2** SHOWER ARM
- 3** SHOWER HEAD