

F907-80TR

Harmony Flexible Hose Integrated Slide Bar Kit

artos®

INSTALLATION GUIDE



F907-80TR

Harmony Flexible Hose Integrated Slide Bar Kit

artos®

OPERATING SPECIFICATIONS



MIXED WATER TEMPERATURE

Maximum: 120°

OPERATING TEMPERATURE

Maximum: 176°

Minimum: 50°

Minimum difference between hot mixed temperature 50°

OPERATING PRESSURE

Minimum: 15psi

Maximum: 75psi

Recommended: 30psi-70psi

MATERIAL

Solid Brass

ABS

REQUIRMENTS

Controll Valve

FLOW RATE

1.8 USGPM

STANDARDS

To view all standards, please visit product approvals in our learning hub at artos.us.com

All technical specifications, product details, and pricing are subject to change without prior notice. Artos makes every effort to ensure accuracy; however, errors or omissions may occur. It is the responsibility of the installer, designer, or purchaser to verify all critical dimensions, installation requirements, and compliance with applicable codes prior to use.

Artos assumes no liability for damages, losses, or injuries resulting from the use of this documentation or from product installation, operation, or maintenance performed outside of Artos instructions and applicable codes. Product warranties are limited to those expressly stated by Artos. Please refer to official warranty documentation for complete terms and conditions.

All drawings, manuals, and specifications are the property of Artos and may not be reproduced, distributed, or altered without prior written permission.

F907-80TR

artos®

Harmony Flexible Hose Integrated Slide Bar Kit

INDEX

INDEX

Product Dimensions - F907-80TR.....pg:4

Harmony Flexible Hose Integrated Slide Bar Kit - F907-80TR.....pg:5-13

Parts Breakdown - F907-80TR.....pg:14

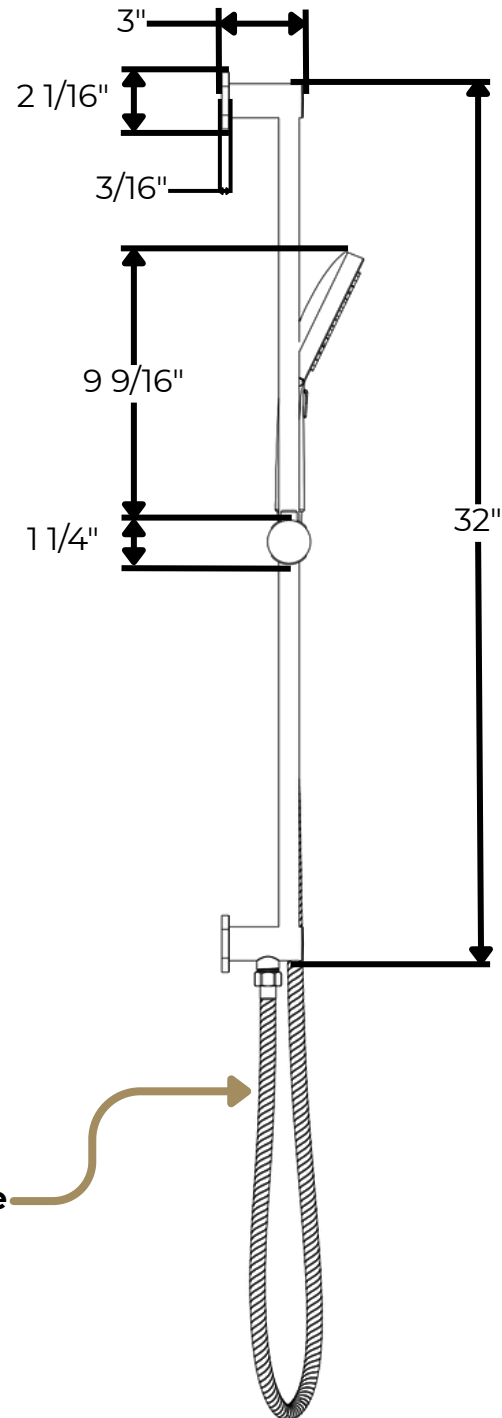
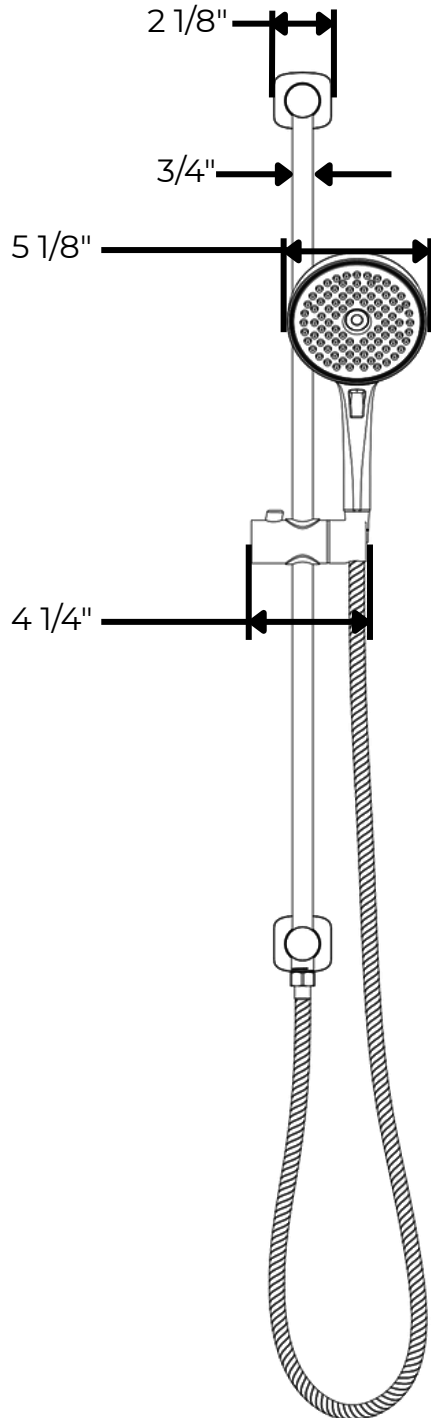
F907-80TR

Harmony Flexible Hose Integrated Slide Bar Kit

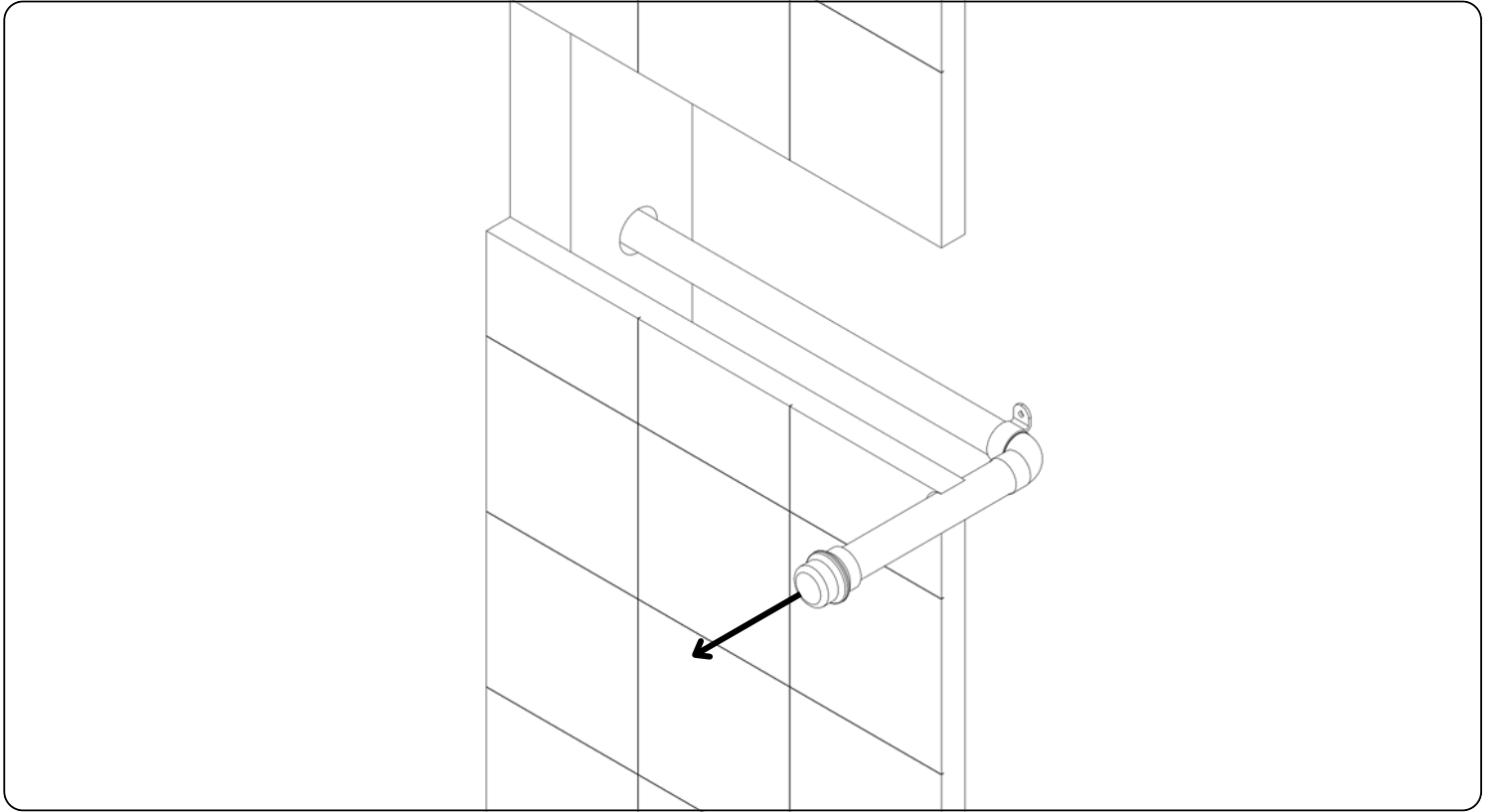
artos®

PRODUCT DIMENSIONS

PRODUCT SKU: F907-80TR



STEP 1



Safety Warnings

- Shut off the main or local water supply before beginning installation.
- Use caution when handling sharp tools and metal parts.
- Do not overtighten connections, as this may damage components or create leaks.
- Ensure the psi of the local water supply remains in the recommended psi range on the operating specifications page
- Wear protective gloves throughout installation to prevent injury and protect the finish of the components.

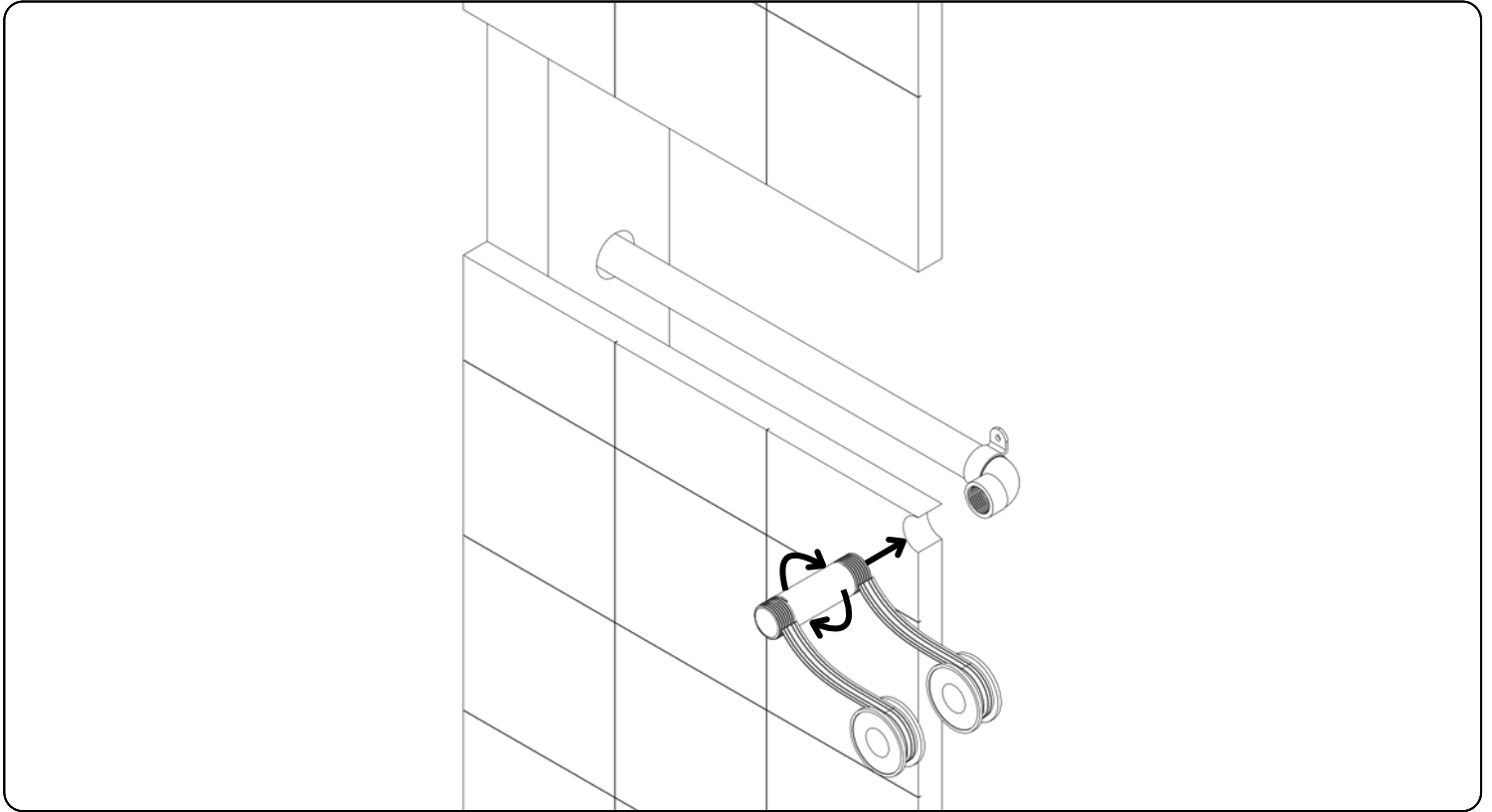
Before beginning, verify that all parts and tools required for installation are available. Review the installation diagram in the parts breakdown at the end of each manual section.

Install the control valve (F973AVO or F973ANSVO) in accordance with the valve and trim kit manual. Route the outlet from the control valve to the intended location of the shower wand outlet. Refer to the valve/trim kit documentation for rough-in depth, mounting requirements, and additional specifications.

After wall finishing is complete, remove the temporary outlet pipe stub for installation.

5

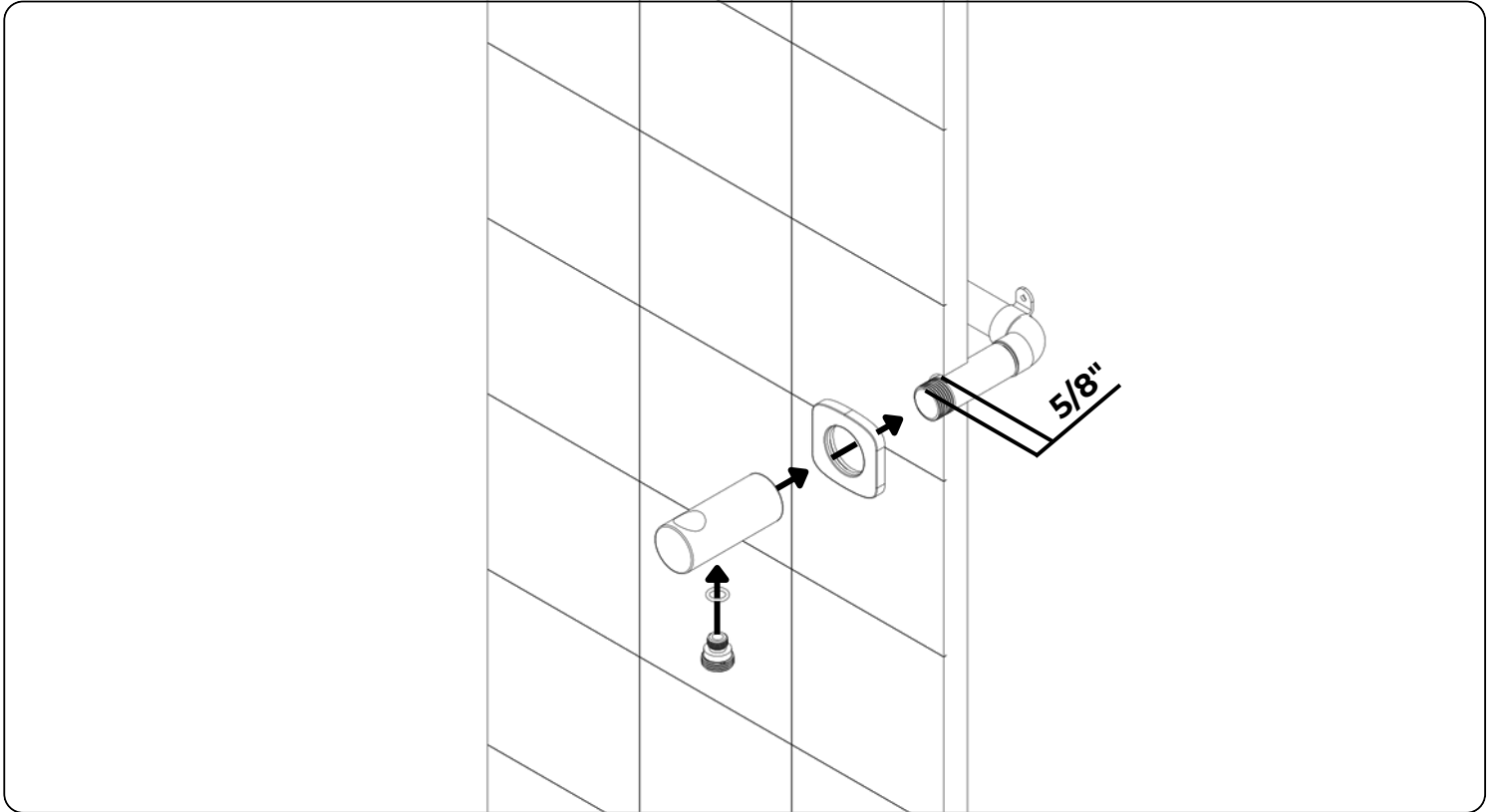
STEP 2



Insert a double-threaded copper pipe into the threaded elbow fitting. Apply **PTFE** (plumber's tape) evenly to the male threads on both ends of the pipe to ensure a watertight seal. Thread the pipe into the elbow using a clockwise rotation and tighten securely using an appropriate wrench, taking care not to overtighten.

Confirm that the threaded pipe protrudes **5/8"** from the finished wall surface. This projection is required to ensure proper engagement with the trim components and correct final alignment.

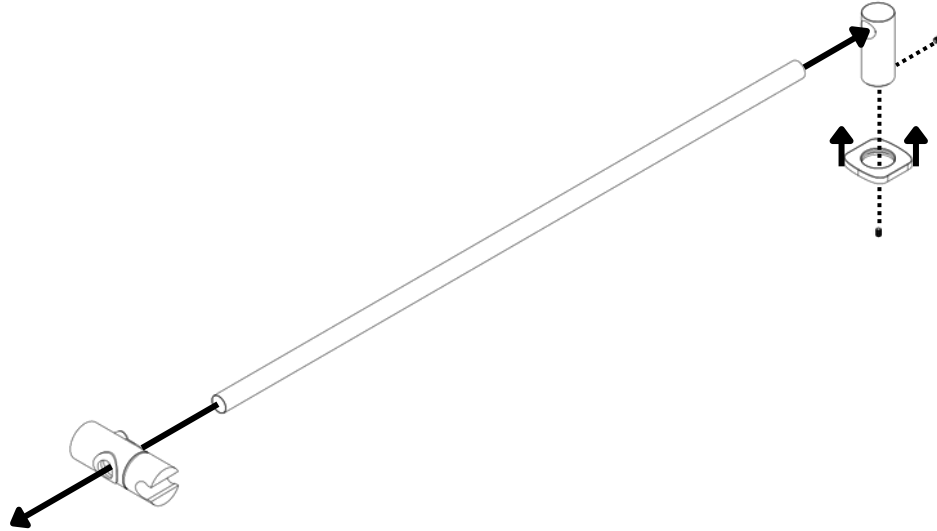
STEP 3



Position the water outlet onto the external outlet Arm, ensuring the O-ring is correctly seated between the mating surfaces to create a proper seal. Secure the connection by tightening the fastener with a Allen wrench until snug. Do not overtighten.

Slide the escutcheon over the threaded pipe and press it flush against the finished wall surface, ensuring it sits evenly and fully covers the wall opening. Once properly aligned, secure the wand holder assembly by threading it onto the protruding pipe and tightening until firmly seated and stable.

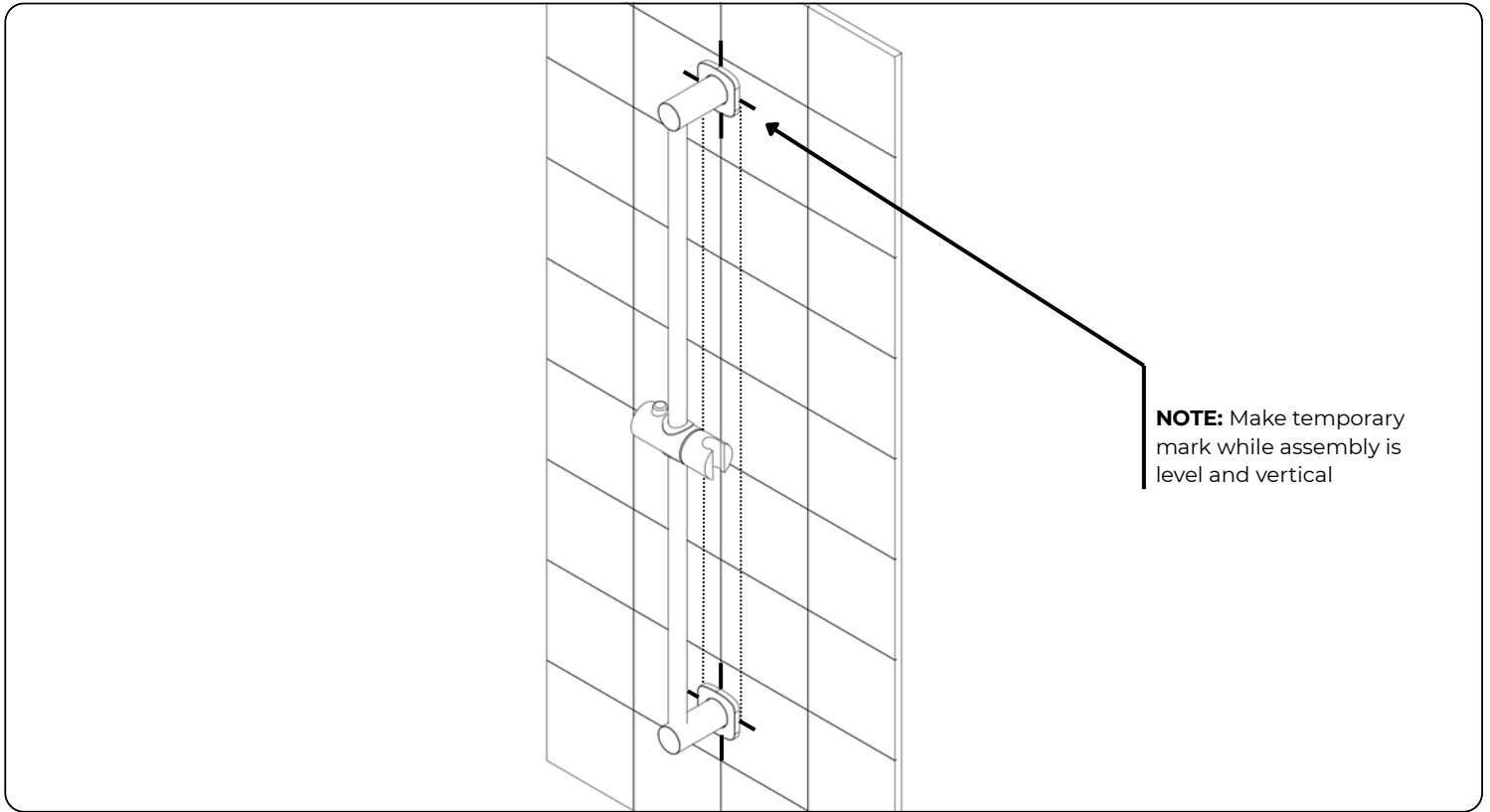
STEP 4



Begin assembling the shower bar by sliding the shower wand holder onto the bar. Insert bar arm on side with button of adjustable shower wand holder. Secure the bar end by tightening the internal set screw.

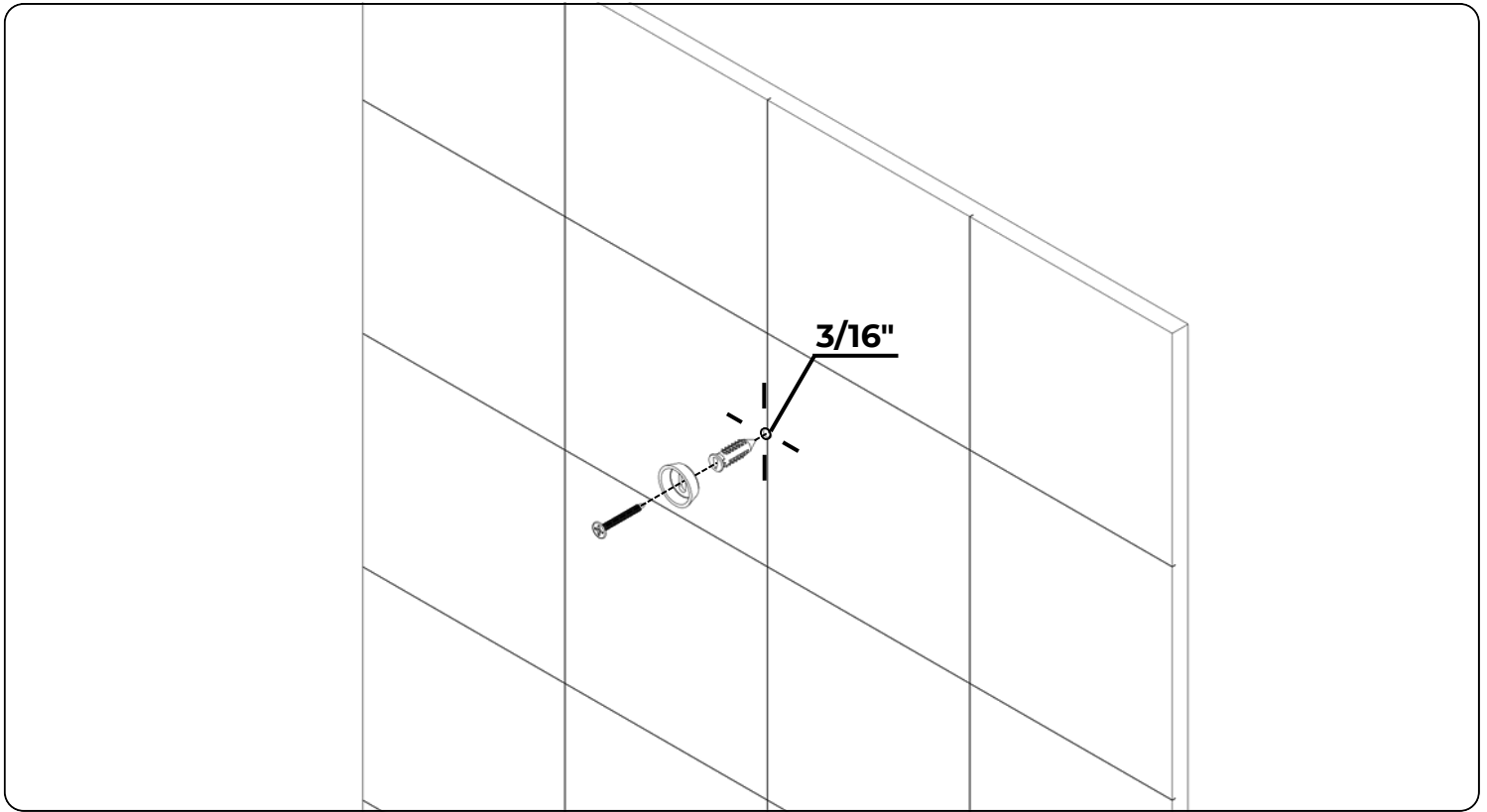
Finally, insert the set screws at the base of the bar end but **do not tighten at this time**. This set screw will be used later to secure the shower bar assembly to the wall.

STEP 5



After assembly, hold the slide bar vertically against the wall to check alignment. Assure bar is **level** and placed at same height and reasonable distance away from other trim kits. Mark the wall at the position where the upper slide bar arm will be mounted. Remove the assembly and set it aside.

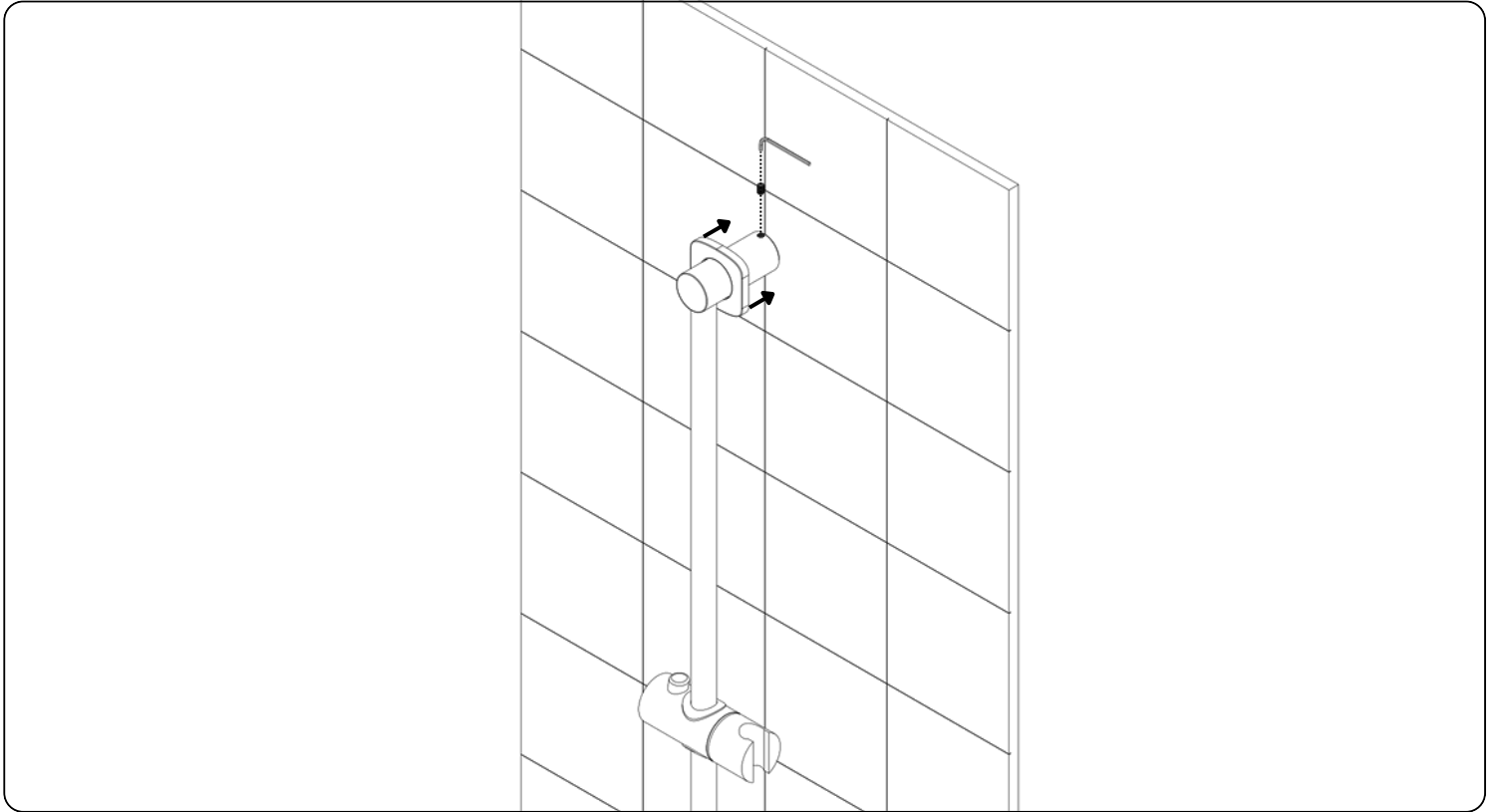
STEP 6



Drill a **3/16"** pilot hole at the marked location, going through tile and backer board, using a tile safe drill bit. Insert the included wall anchor until flush with the wall surface. Place the brass washer cap over the drywall screw with the flat side toward the wall, then drive the screw into the anchor until snug.

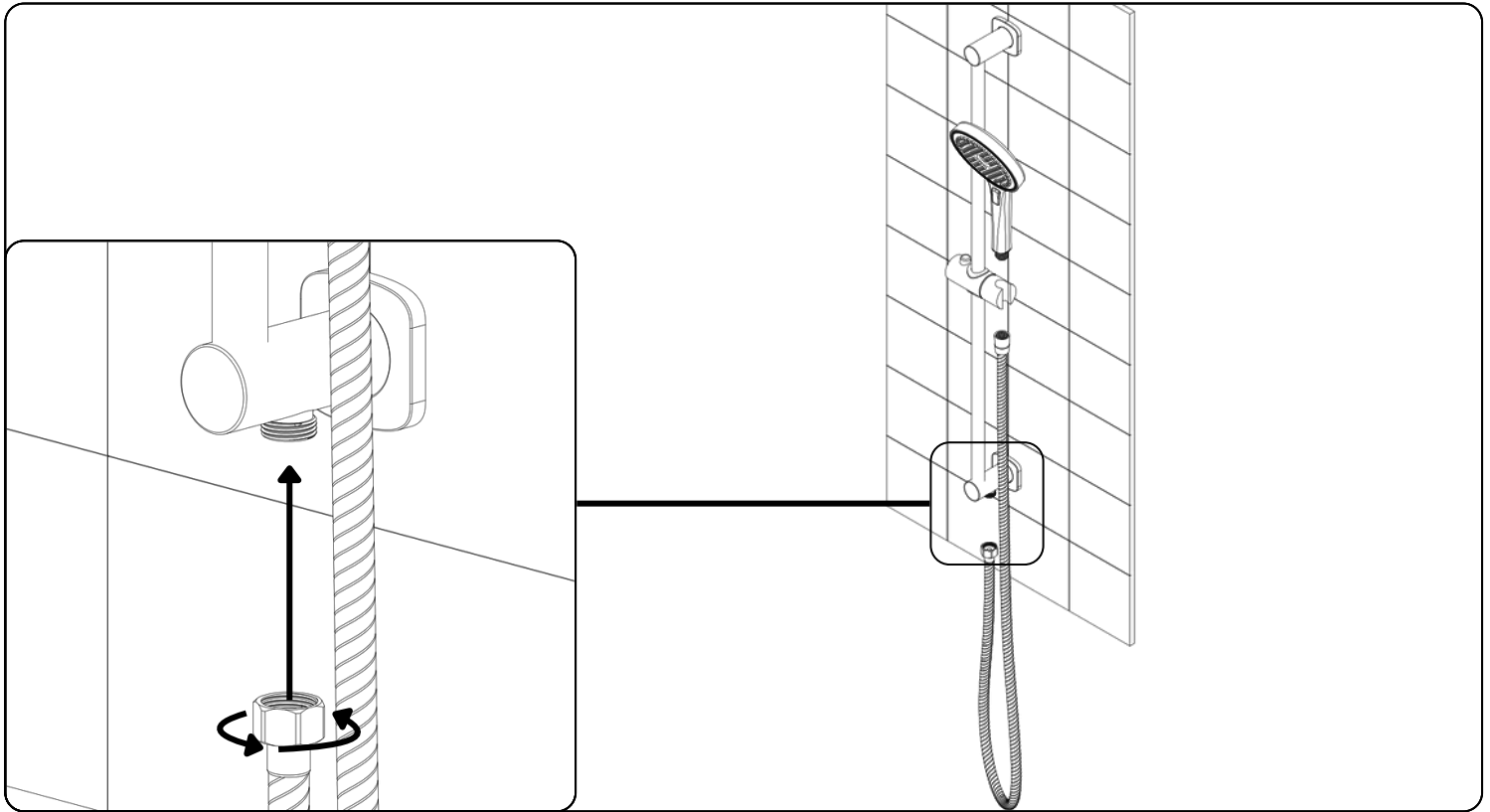
Note: Do not oversize the pilot hole, as this may compromise the grip of the wall anchor and result in loosening over time.

STEP 7



Reposition the slide bar assembly, making sure brass mounting caps fit evenly and the shower bar is level. Verify that the set screw in the upper arm is fully tightened to hold the slide bar securely in place. Tighten the set screw behind the escutcheon onto the brass cap to lock the assembly. Finally, slide the escutcheon plate over the arm until it rests flush against the wall.

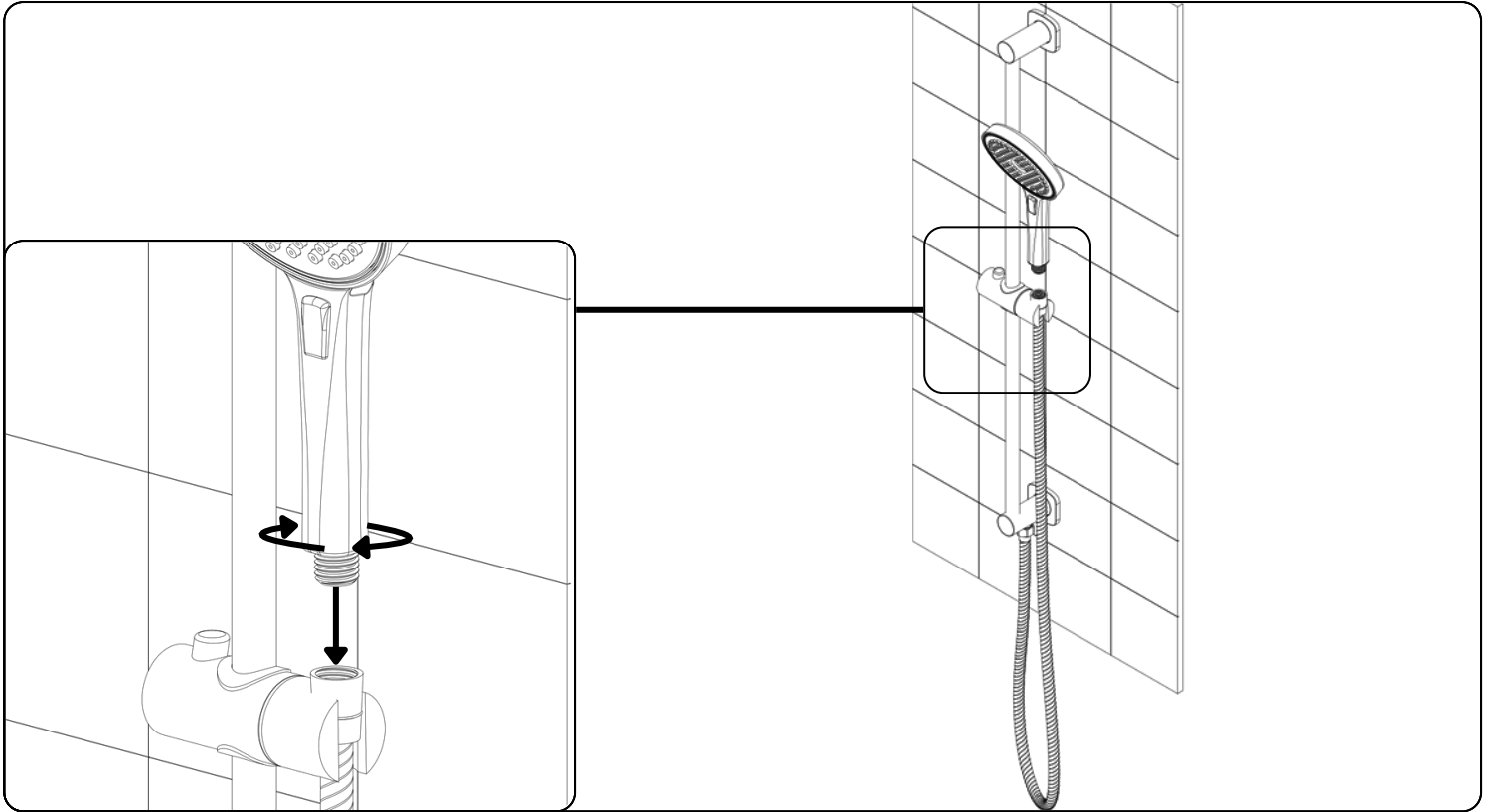
Note: To prevent water from entering the wall cavity, you may apply a thin bead of silicone caulk either around the escutcheon plate where it meets the wall or around the copper fitting before final tightening. Smooth the sealant for a clean finish and allow it to cure as recommended by the manufacturer.

STEP 8

Screw the hose nut of the shower wand hose onto the water outlet located on the lower slide bar arm. Securely tighten the connection by hand. Place the opposite end of the hose into the adjustable shower wand holder, ensuring the wand is properly seated in the channel.

Perform a final check to ensure the slide bar is vertical and properly aligned. Confirm that all set screws and fittings are tightened securely. Turn on the water supply and test for leaks at all connection points. Adjust as necessary before completing installation.

STEP 9



Attach the shower wand to the flexible shower hose by rotating the wand clockwise until fully secured. Ensure the connection is tight and properly aligned to prevent leaks and allow smooth operation.

Additional Notes:

- Plumbing components not explicitly included with this product must be sourced separately.
- After installation, once the lines are in a finished state, flush the water lines by running water for several minutes to remove any debris or installation residue.
- Periodically inspect all connections and washers for signs of wear and retighten if necessary.

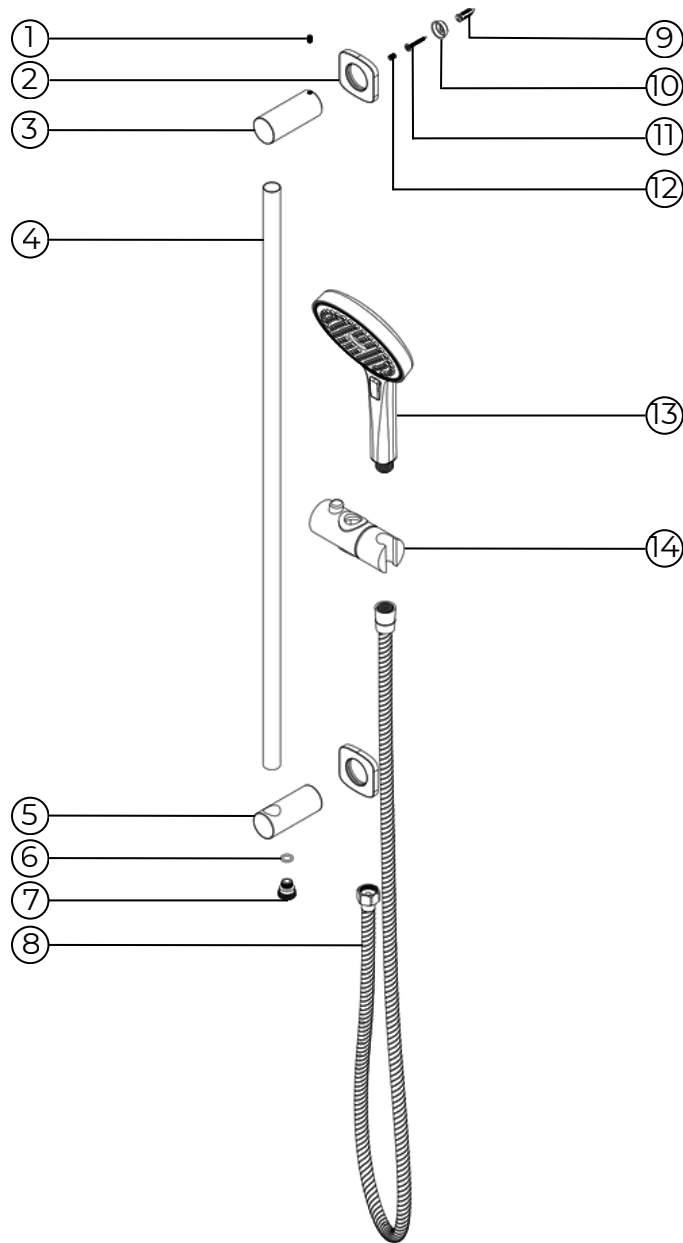
F907-80TR

Harmony Flexible Hose Integrated Slide Bar Kit

artos®

PARTS BREAKDOWN

PRODUCT SKU: F907-80TR



- ① SLIDE BAR ARM BASE SET SCREW
- ② HARMONY ESCUTCHEON (2)
- ③ SLIDE BAR ARM
- ④ SLIDE BAR
- ⑤ SLIDE BAR ARM WITH OUTLET
- ⑥ OUTLET SEAL
- ⑦ EXTERNAL OUTLET

- ⑧ FLEXIBLE SHOWER HOSE 150cm
- ⑨ WALL ANCHOR
- ⑩ BRASS WALL MOUNTING CAP
- ⑪ DRYWALL SCREW
- ⑫ INTERNAL SLIDE BAR SET SCREW
- ⑬ HARMONY HANDSHOWER
- ⑭ ADJUSTABLE WAND HOLDER