

F907-5TR

Harmony Flexible Hose Handshower Kit

artos®

INSTALLATION GUIDE



F907-5TR

Harmony Flexible Hose Handshower Kit

artos®

OPERATING SPECIFICATIONS



MIXED WATER TEMPERATURE

Maximum: 120°

OPERATING TEMPERATURE

Maximum: 176°

Minimum: 50°

Minimum difference between hot mixed temperature 50°

OPERATING PRESSURE

Minimum: 15psi

Maximum: 75psi

Recommended: 30psi-70psi

MATERIAL

Solid Brass

ABS

REQUIREMENTS

Control Valve

FLOW RATE

1.8 USGPM

STANDARDS

To view all standards, please visit product approvals in our learning hub at artos.us.com

All technical specifications, product details, and pricing are subject to change without prior notice. Artos makes every effort to ensure accuracy; however, errors or omissions may occur. It is the responsibility of the installer, designer, or purchaser to verify all critical dimensions, installation requirements, and compliance with applicable codes prior to use.

Artos assumes no liability for damages, losses, or injuries resulting from the use of this documentation or from product installation, operation, or maintenance performed outside of Artos instructions and applicable codes. Product warranties are limited to those expressly stated by Artos. Please refer to official warranty documentation for complete terms and conditions.

All drawings, manuals, and specifications are the property of Artos and may not be reproduced, distributed, or altered without prior written permission.

F907-5TR

Harmony Flexible Hose Handshower Kit

artos®

INDEX

INDEX

Product Dimensions - F907-5TR.....pg:4

Harmony Flexible Hose Handshower Kit Installation - F907-5TR.....pg:5-9

Parts Breakdown - F907-5TR.....pg:10

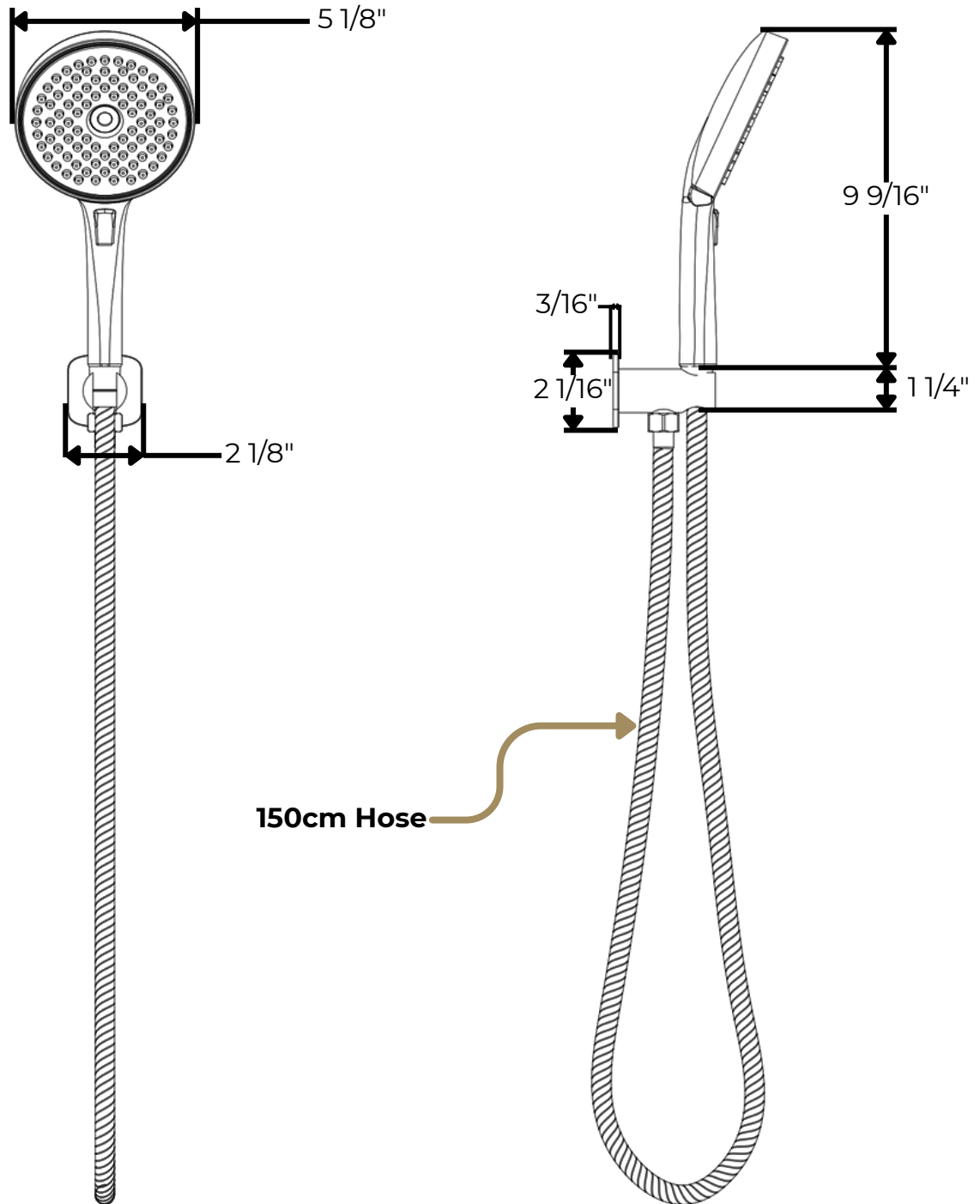
F907-5TR

Harmony Flexible Hose Handshower Kit

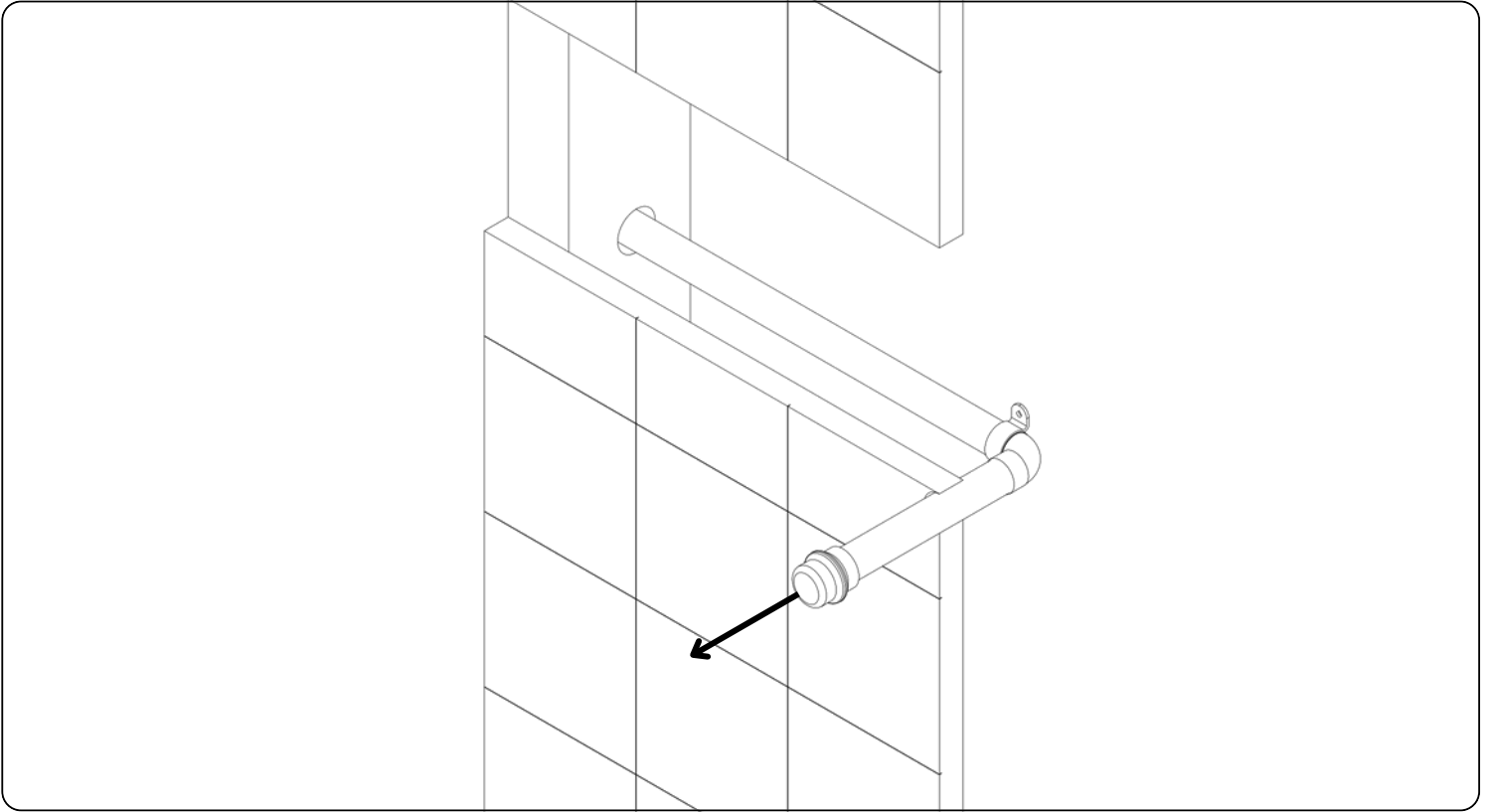
artos®

PRODUCT DIMENSIONS

PRODUCT SKU: F907-5TR



STEP 1



Safety Warnings

- Shut off the main or local water supply before beginning installation.
- Use caution when handling sharp tools and metal parts.
- Do not overtighten connections, as this may damage components or create leaks.
- Ensure the psi of the local water supply remains in the recommended psi range on the operating specifications page
- Wear protective gloves throughout installation to prevent injury and protect the finish of the components.

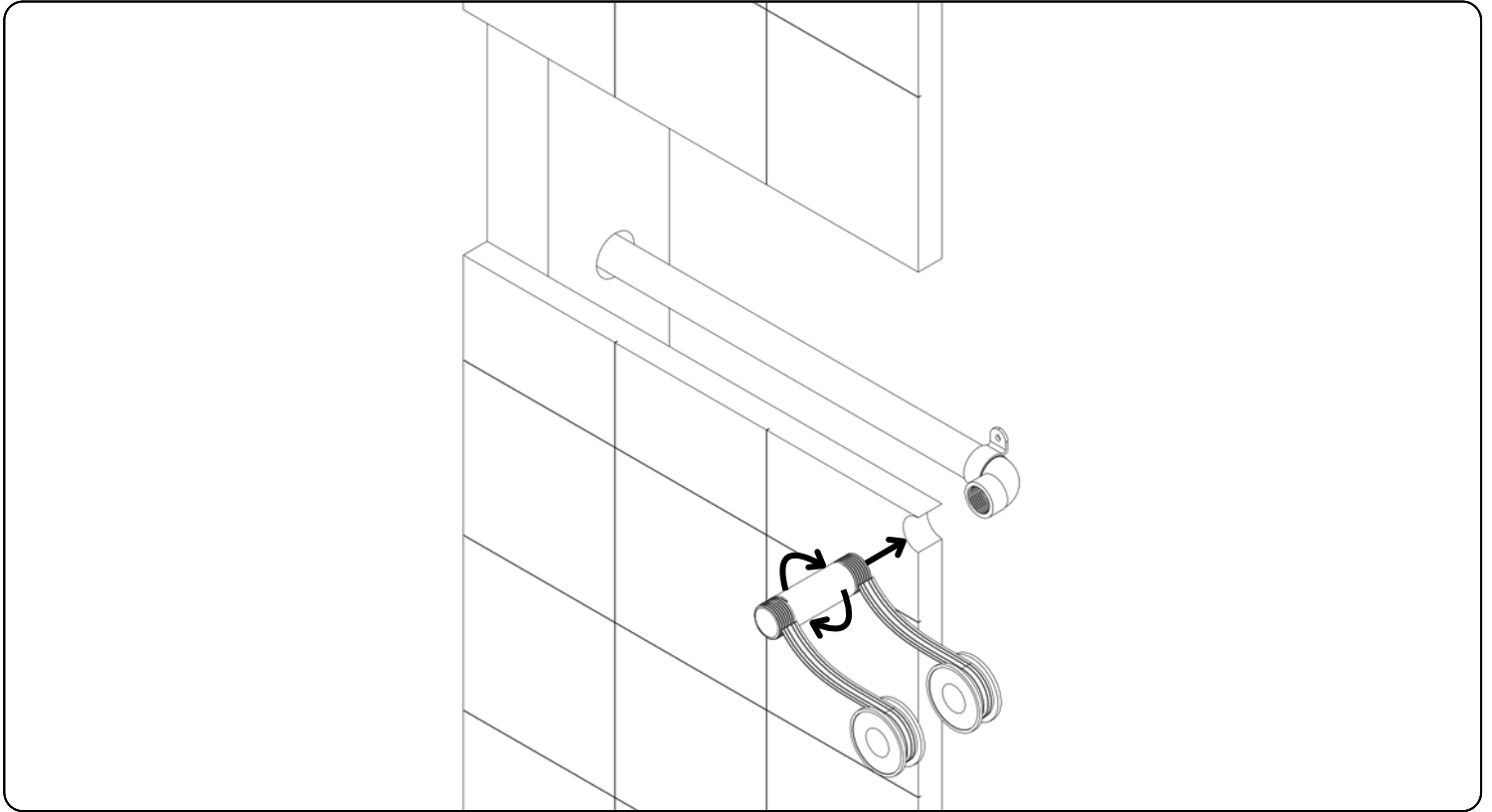
Before beginning, verify that all parts and tools required for installation are available. Review the installation diagram in the parts breakdown at the end of each manual section.

Install the control valve (F973AVO or F973ANSVO) in accordance with the valve and trim kit manual. Route the outlet from the control valve to the intended location of the shower wand. Refer to the valve/trim kit documentation for rough-in depth, mounting requirements, and additional specifications.

After wall finishing is complete, remove the temporary outlet pipe stub for installation.

5

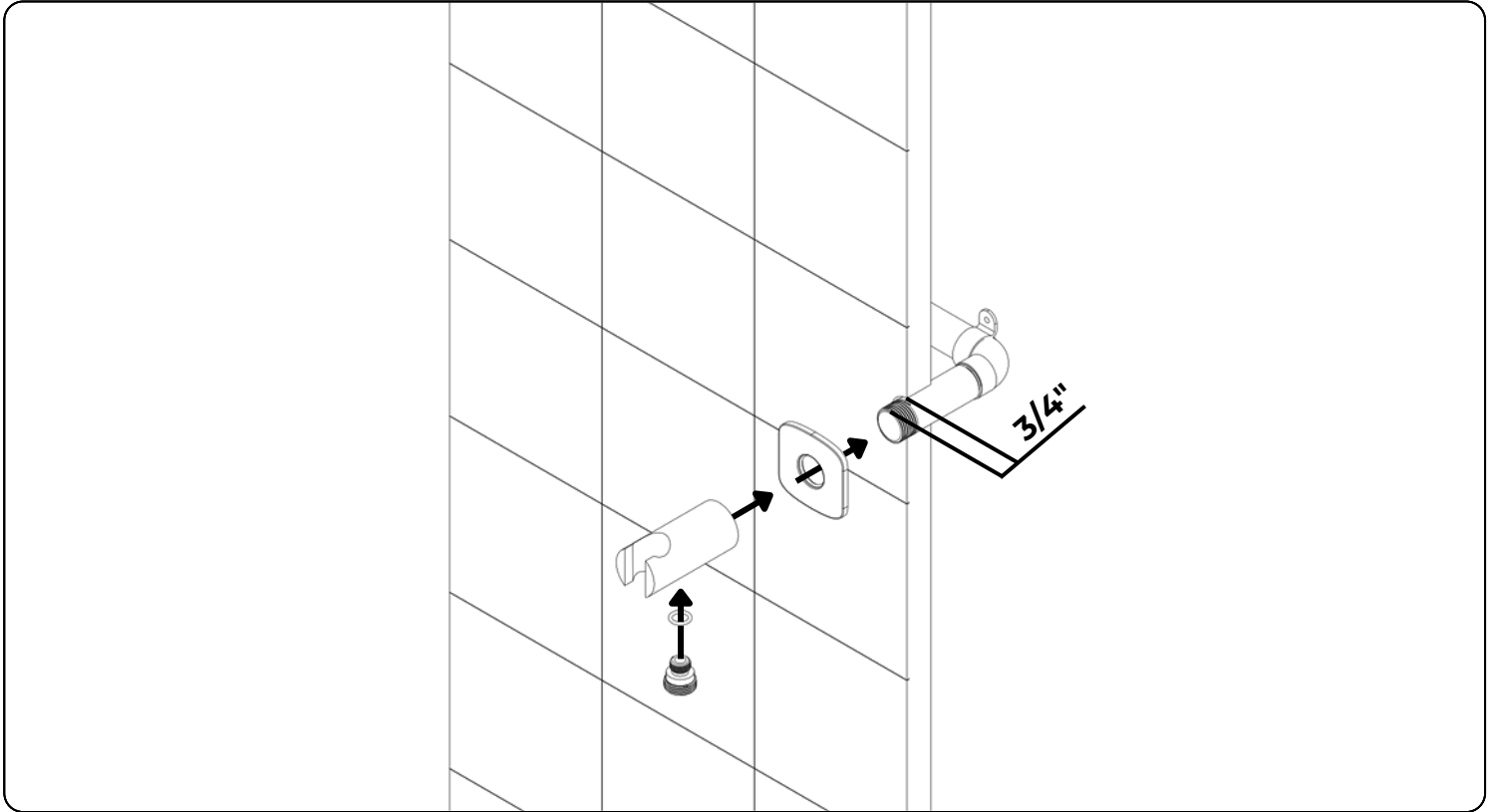
STEP 2



Insert a double-threaded copper pipe into the threaded elbow fitting. Apply **PTFE** (plumber's tape) evenly to the male threads on both ends of the pipe to ensure a watertight seal. Thread the pipe into the elbow using a clockwise rotation and tighten securely using an appropriate wrench, taking care not to overtighten.

Confirm that the threaded pipe protrudes **3/4** in. from the finished wall surface. This projection is required to ensure proper engagement with the trim components and correct final alignment.

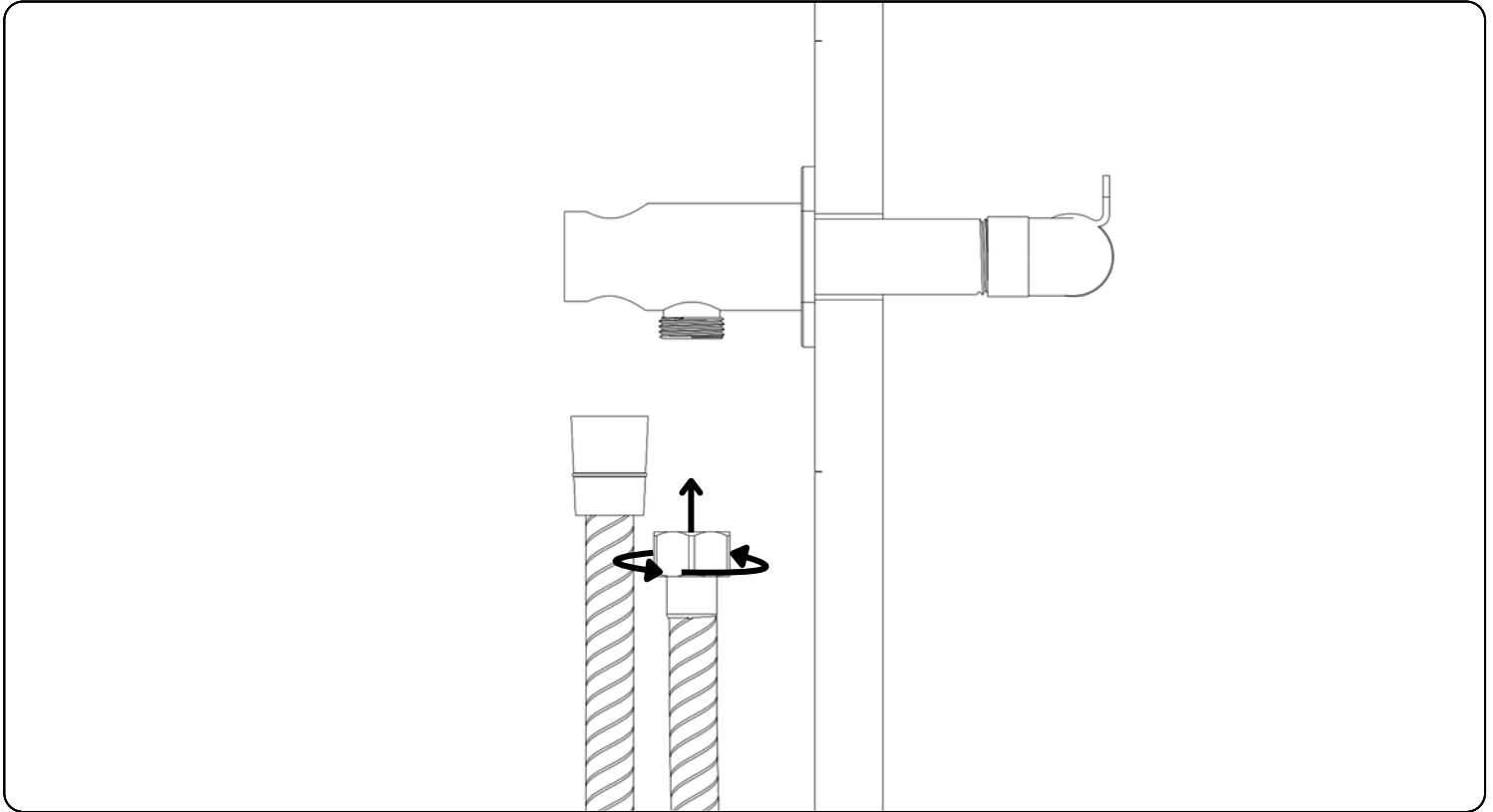
STEP 3



Position the water outlet onto the wand holder, ensuring the O-ring is properly seated between the mating surfaces. Secure the connection by tightening the fastener using the provided Allen wrench until snug.

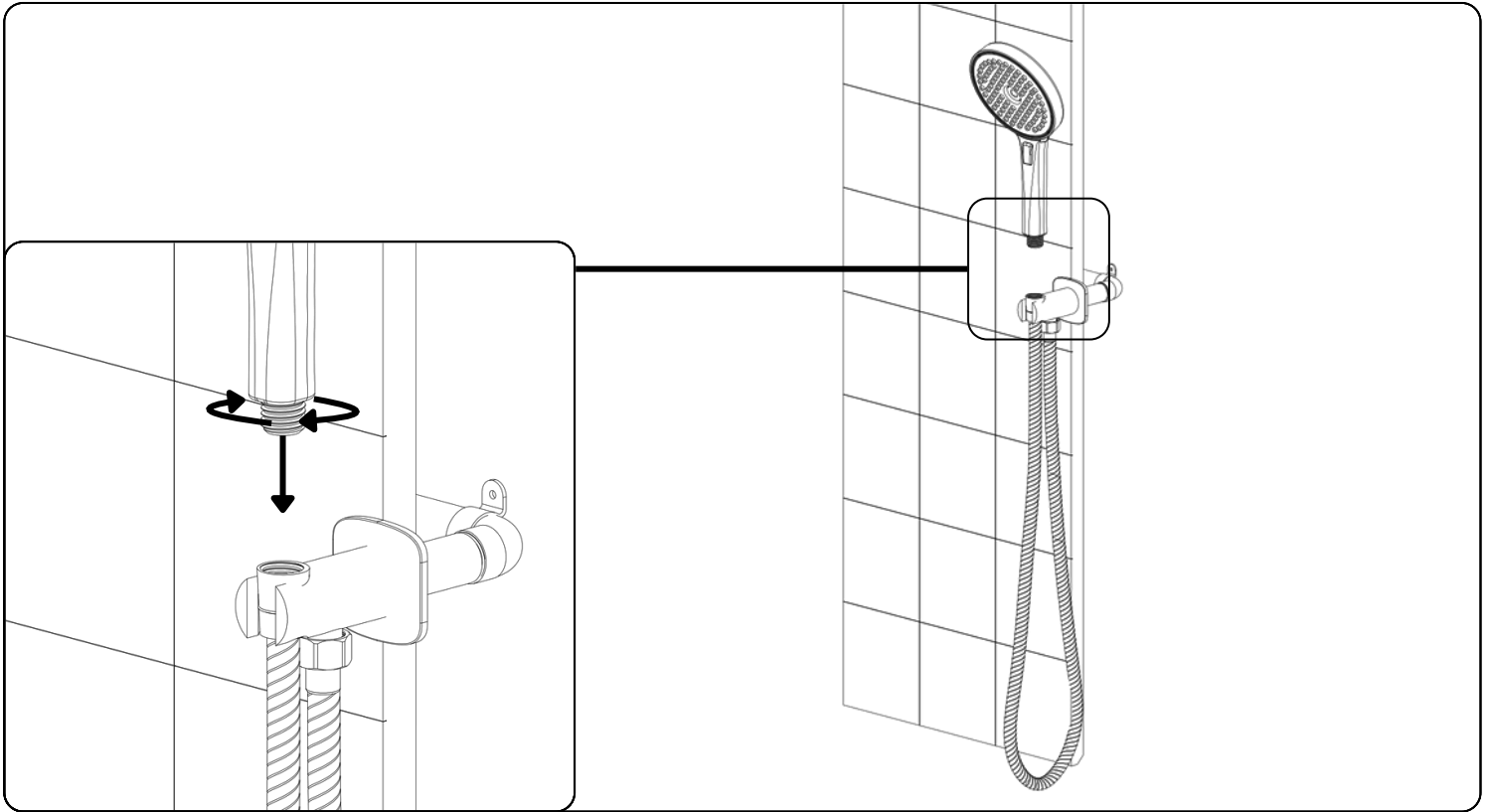
Slide the escutcheon over the threaded pipe and press it flush against the finished wall surface. Ensure the escutcheon sits evenly and fully covers the wall opening. Once aligned, secure the wand holder assembly to the wall by tightening it onto the threaded pipe until firmly seated.

STEP 4



Thread the flexible hose onto the outlet connection using a clockwise motion. Hand-tighten until secure, then lightly snug if required, taking care not to damage the hose fitting. Place the beveled end of the flexible hose into the wand holder, ensuring it rests properly and is fully supported.

STEP 5



Attach the shower wand to the flexible shower hose by rotating the wand clockwise until fully secured. Ensure the connection is tight and properly aligned to prevent leaks and allow smooth operation.

Additional Notes:

- Plumbing components not explicitly included with this product must be sourced separately.
- After installation, once the lines are in a finished state, flush the water lines by running water for several minutes to remove any debris or installation residue.
- Periodically inspect all connections and washers for signs of wear and retighten if necessary.

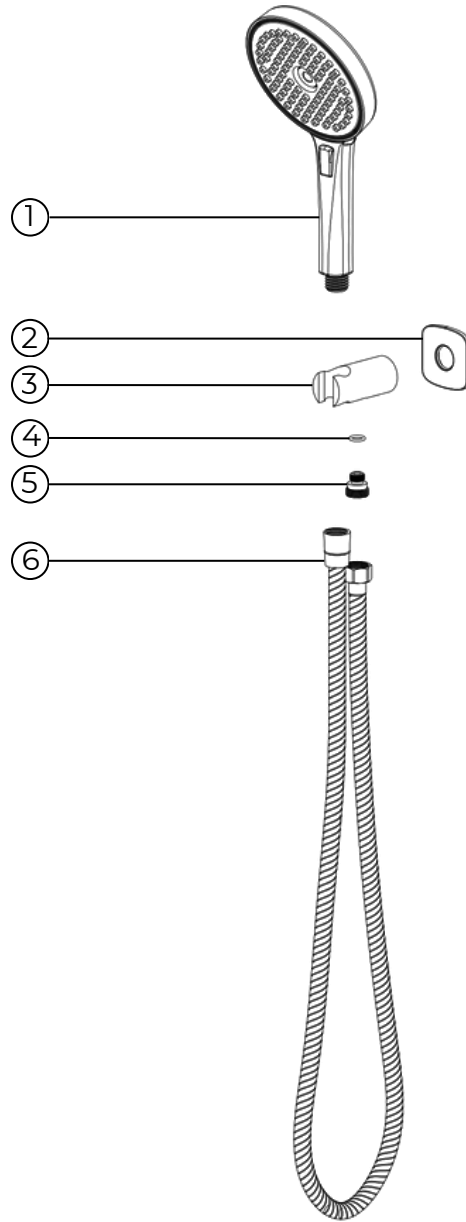
F907-5TR

Harmony Flexible Hose Handshower Kit

artos®

PARTS BREAKDOWN

PRODUCT SKU: F907-5TR



- ① HANDSHOWER
- ② HARMONY ESCUTCHEON
- ③ WAND HOLDER + OUTLET

- ④ CONNECTOR O-RING
- ⑤ HOSE OUTLET CONNECTOR
- ⑥ FLEXIBLE SHOWER HOSE