

F100142

Spring Kitchen Faucet

artos®

INSTALLATION GUIDE



F100142

Spring Kitchen Faucet

artos®

OPERATING SPECIFICATIONS



OPERATING TEMPERATURE

Maximum: 176°

OPERATING PRESSURE

Minimum: 15psi

Maximum: 75psi

Recommended: 25psi-70psi

Operating pressures (on hot and cold lines) should be kept as balanced as possible, in order to assure the maximum efficiency

FLOW RATE

1.8 USGPM

MATERIAL

Solid Brass

INSTALLATION DIMENSIONS

Hole Diameter: 1 3/8"

Maximum surface thickness: 2 1/4"

FEATURES

Pull Down Spray

STANDARDS

To view all standards, please visit product approvals in our learning hub at artos.us.com

All technical specifications, product details, and pricing are subject to change without prior notice. Artos makes every effort to ensure accuracy; however, errors or omissions may occur. It is the responsibility of the installer, designer, or purchaser to verify all critical dimensions, installation requirements, and compliance with applicable codes prior to use.

Artos assumes no liability for damages, losses, or injuries resulting from the use of this documentation or from product installation, operation, or maintenance performed outside of Artos instructions and applicable codes. Product warranties are limited to those expressly stated by Artos. Please refer to official warranty documentation for complete terms and conditions.

All drawings, manuals, and specifications are the property of Artos and may not be reproduced, distributed, or altered without prior written permission.

F100142

Spring Kitchen Faucet

artos®

INDEX

INDEX

Product Dimensions - F100142.....pg:4

Spring Kitchen Faucet Installation - F100142.....pg:6-8

Parts Breakdown - F100142.....pg:9

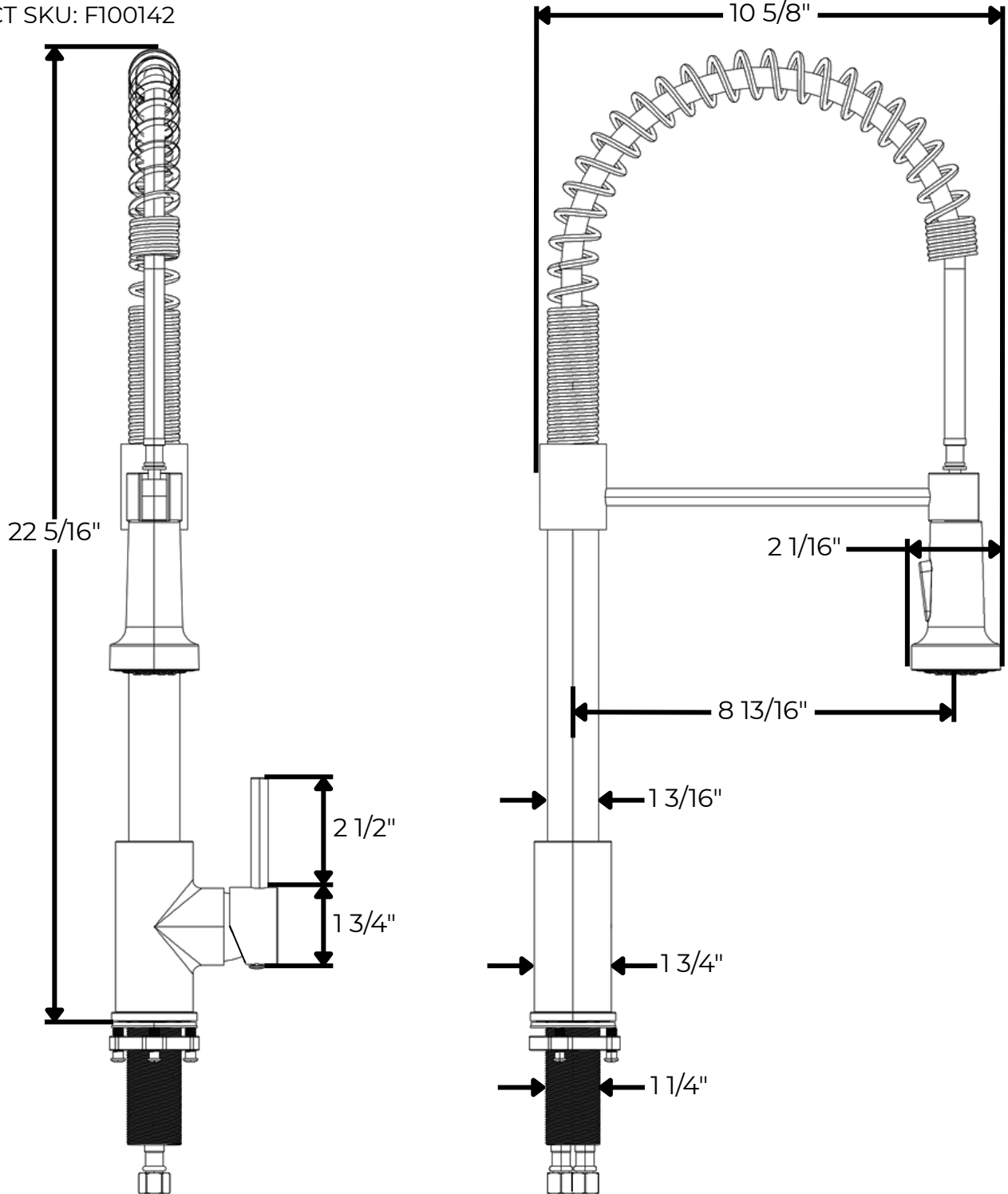
F100142

Spring Kitchen Faucet

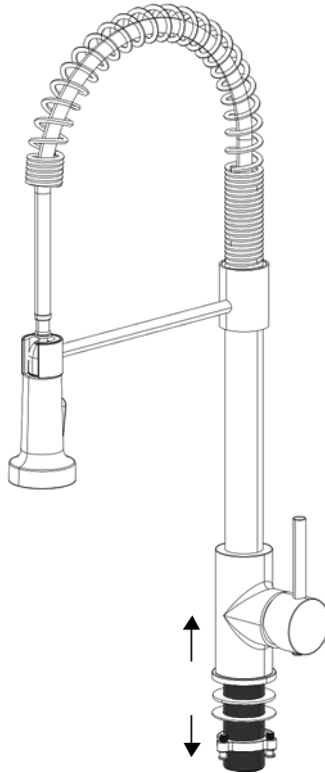
artos®

PRODUCT DIMENSIONS

PRODUCT SKU: F100142



STEP 1



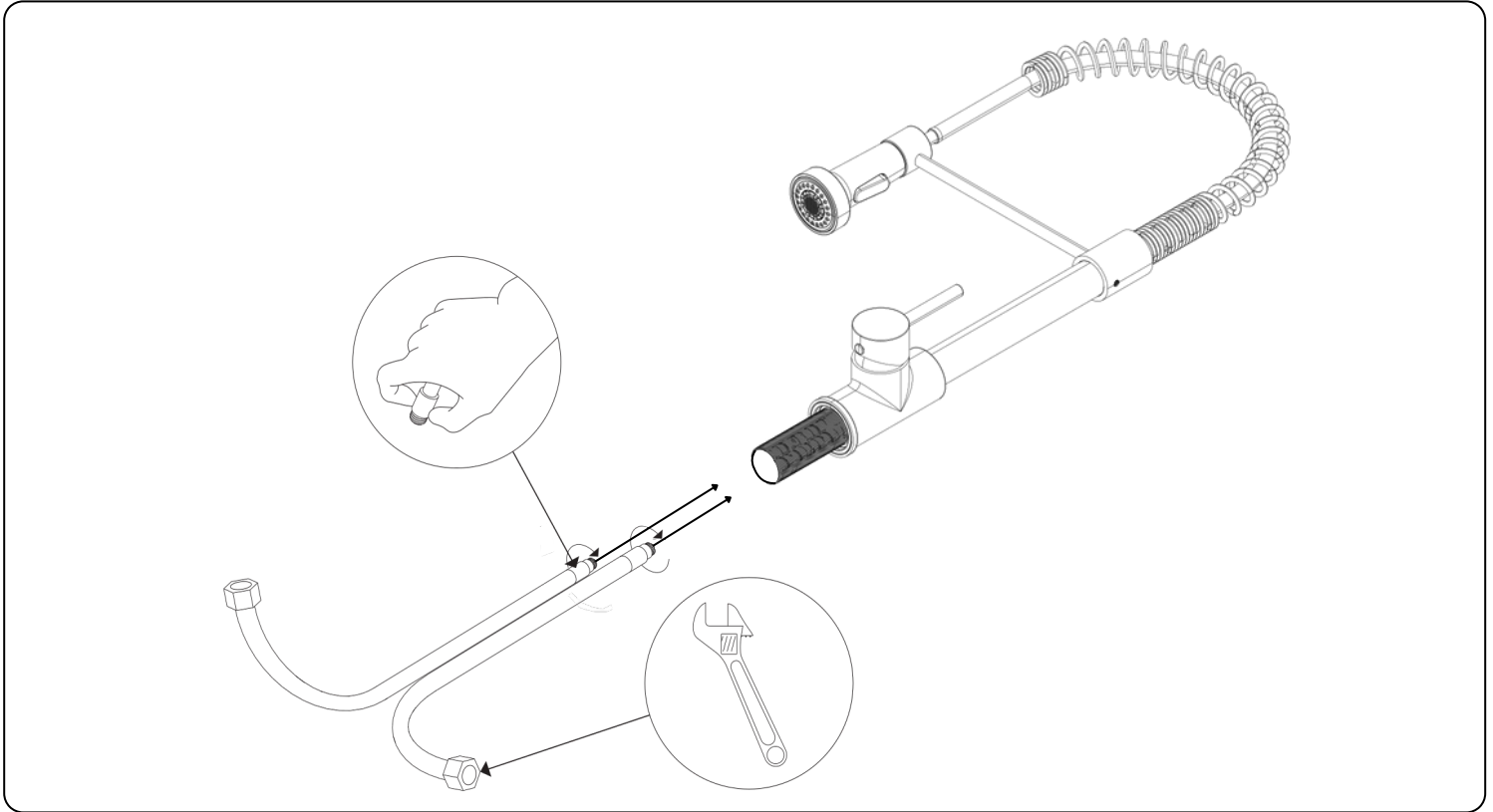
Safety Warnings

- Shut off the main or local water supply before beginning installation.
- Use caution when handling sharp tools and metal parts.
- Do not overtighten connections, as this may damage components or create leaks.
- Ensure the psi of the local water supply remains in the recommended psi range on the operating specifications page
- Wear protective gloves throughout installation to prevent injury and protect the finish of the components.

Before beginning, verify that all parts and tools required for installation are available. Review the installation diagram in the parts breakdown at the end of this manual.

Remove Securing nut, metal, and rubber washer from the spindle

STEP 2



Hand-tighten the hot and cold male-end flexible hoses onto the faucet body, ensuring that the threads engage smoothly to prevent cross-threading. If access is limited, you **may need to remove the threaded spindle** to create additional workspace. Attach each hose to the correct supply pipe via the temperature indicators on the faucet body to ensure proper function.

NOTE: DO NOT USE A WRENCH TO TIGHTEN MALE END ONLY THE FEMALE NUT.

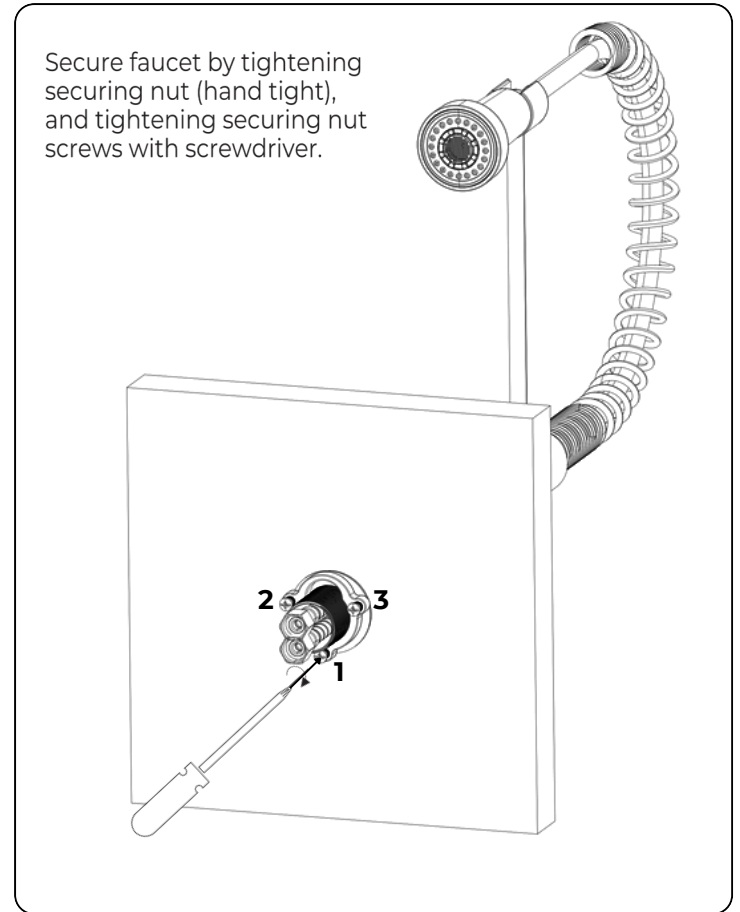
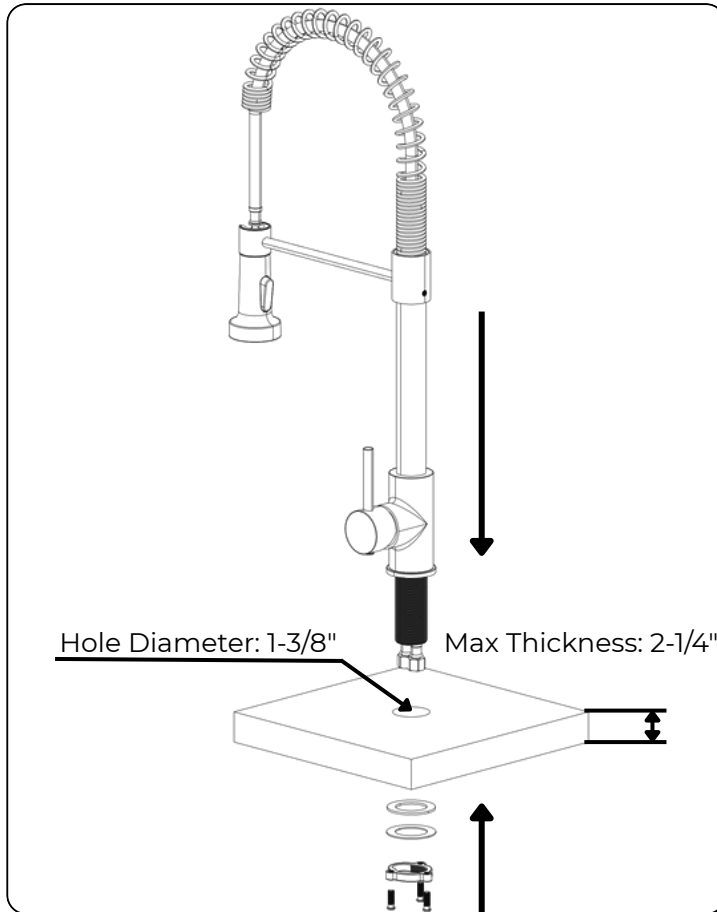
F100142

Spring Kitchen Faucet

artos®

INSTALLATION GUIDE

STEP 3



From underneath the countertop, slide a rubber washer followed by a metal washer onto the spindle, positioning them flush against the underside of the surface. Next, hand-tighten the securing nut onto the spindle to hold the faucet in place. Before fully tightening, check the alignment from above and ensure that the faucet sits perpendicular to the wall or backsplash. Once properly aligned, tighten all three securing screws with a screwdriver to lock the faucet securely into its final position.

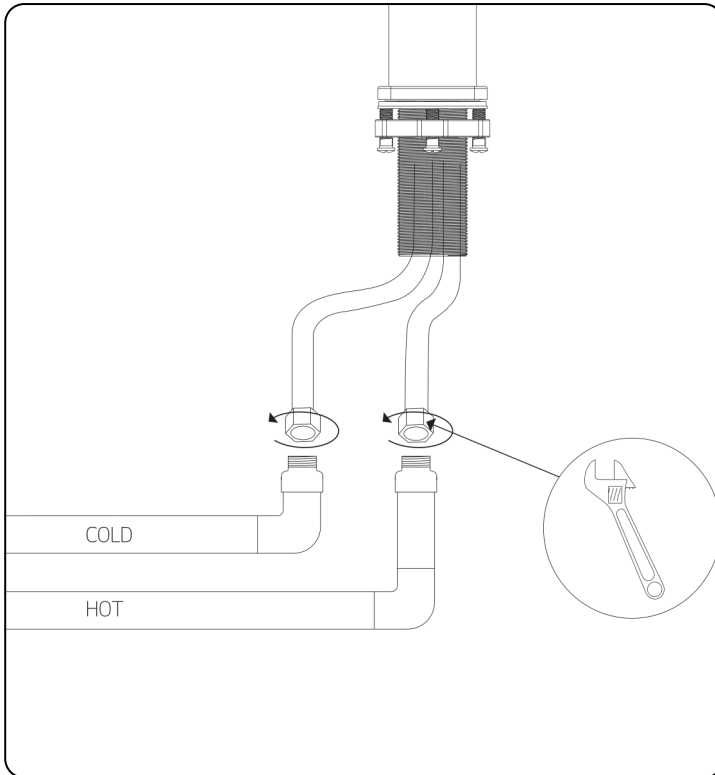
F100142

Spring Kitchen Faucet

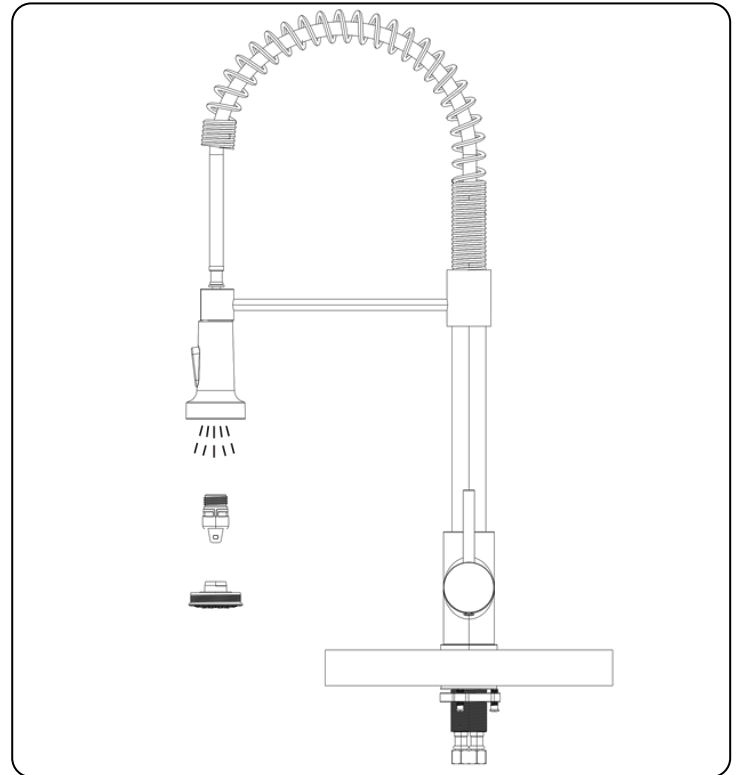
artos®

INSTALLATION GUIDE

STEP 4



STEP 5



STEP 4

Connect the flexible hoses to the household supply lines using a wrench. Tighten the connections firmly but carefully to avoid over-compression of the rubber seals. Verify that both hot and cold lines are correctly matched and that all fittings are seated properly to prevent leaks during testing.

STEP 5

Remove the Jet Face then the aerator cartridge from the faucet spout, then turn on the water and allow it to run for approximately one minute. This flushing process removes any debris, sediment, or installation residue from the supply lines and internal components. After flushing is complete, reinstall the aerator securely.

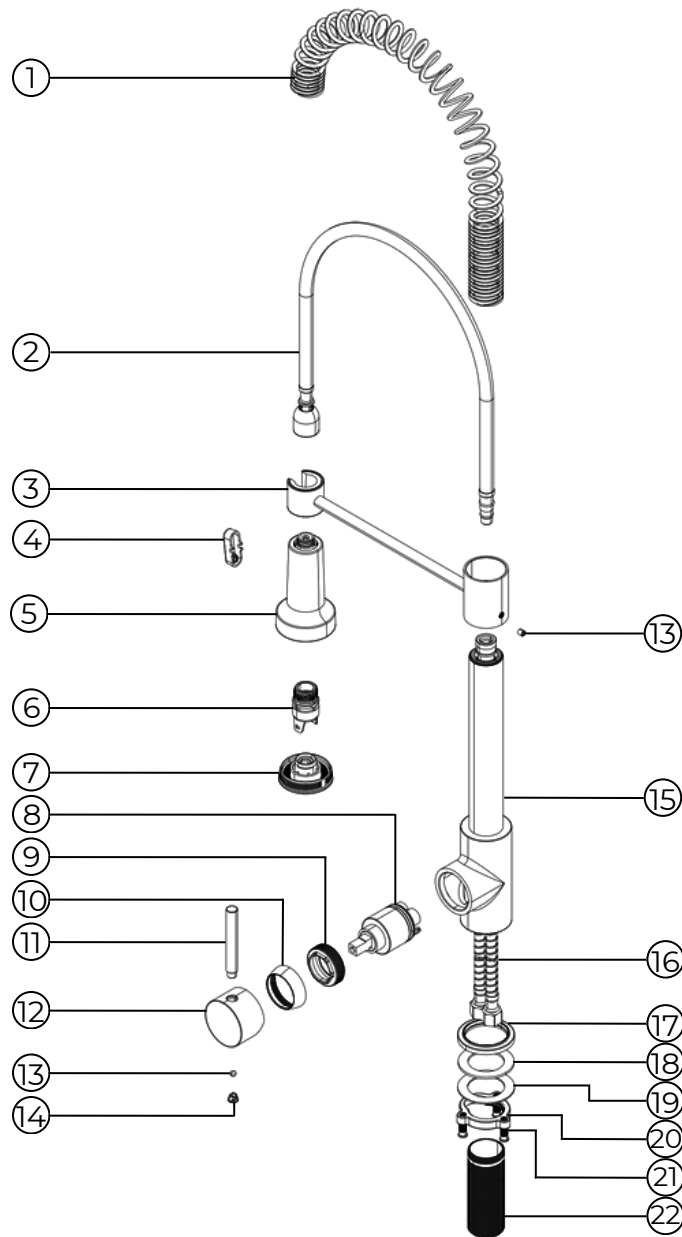
F100142

Spring Kitchen Faucet

artos®

PARTS BREAKDOWN

PRODUCT SKU: F100142



- ① FAUCET SPRING
- ② WAND HOSE
- ③ WAND HOLDER
- ④ MODE SWITCH
- ⑤ FAUCET WAND BODY
- ⑥ AERATOR
- ⑦ FAUCET JET FACE
- ⑧ CARTRIDGE
- ⑨ CARTRIDGE SECURING NUT
- ⑩ DRESS RING
- ⑪ HANDLE

- ⑫ HANDLE BODY
- ⑬ SET SCREW (2)
- ⑭ SET SCREW CAP
- ⑮ FAUCET BODY
- ⑯ SUPPLY HOSE (2)
- ⑰ FAUCET ESCUTCHEON
- ⑱ RUBBER WASHER
- ⑲ METAL WASHER
- ⑳ SECURING NUT
- ㉑ SECURING NUT SCREWS (3)
- ㉒ MOUNTING SPINDLE