

AMERICH[®]

SAWYER™ 7131 - SMOOTH NICKEL



DIMENSIONS

71" x 31" x 26" (1804 x 788 x 661 mm)
Gallon to Overflow = 80 (Liters = 303)

MATERIAL

14 Gauge Copper with a Smooth Nickel Plated Exterior & a White Acrylic interior

TUB FLOOR

Non - Textured

UNDERMOUNT:

This tub is not designed for undermount installation.

APPROVALS & COMPLIANCE



Americh products meet or exceed the following standards:

- Underwriters Laboratories (UL)
- Underwriters Laboratories - Canada (cUL)
- ANSI Z124.1 • ANSI A112-19.7
- ANSI A112.19.8

Contact Americh for additional approvals.

STANDARD EQUIPMENT

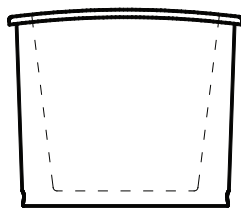
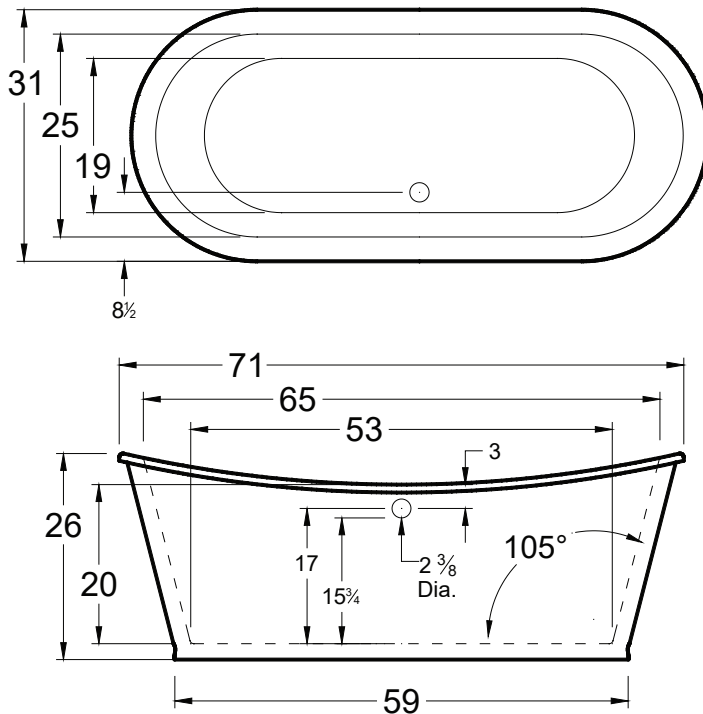
- Integral Waste & Overflow

OPTIONAL ACCESSORIES

- Dual Color
- Pillows: 12" - Angle
- Linear Waste & Overflow Upgrade

INSTALLATION TIPS

- Install according to Owner's Manual and local codes.
- The bath must be secured to the floor by applying a bead of silicone around the base
- Hot water supply should be 65-75% of tub capacity or greater.



25" Copper / Nickel
28" White