

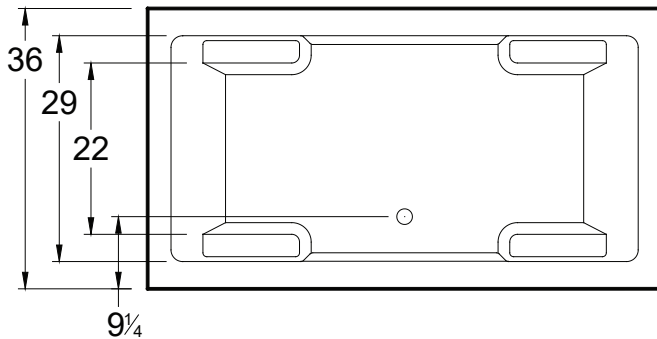


### DIMENSIONS

66" x 36" x 22" ( 1676 x 914 x 559 mm)  
Gallon to Overflow = 62 (Liters = 235)

### MATERIAL

Acrylic

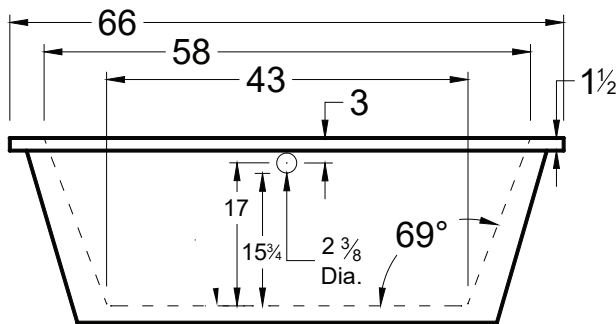


### TUB FLOOR

Textured

### UNDERMOUNT:

This tub is not designed for undermount installation.



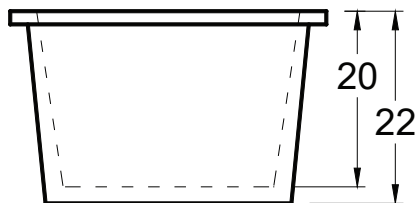
### APPROVALS & COMPLIANCE



Americh products meet or exceed the following standards:

- Underwriters Laboratories (UL)
- Underwriters Laboratories - Canada (cUL)
- ANSI Z124.1 • ANSI A112-19.7
- ANSI A112.19.8

Contact Americh for additional approvals.

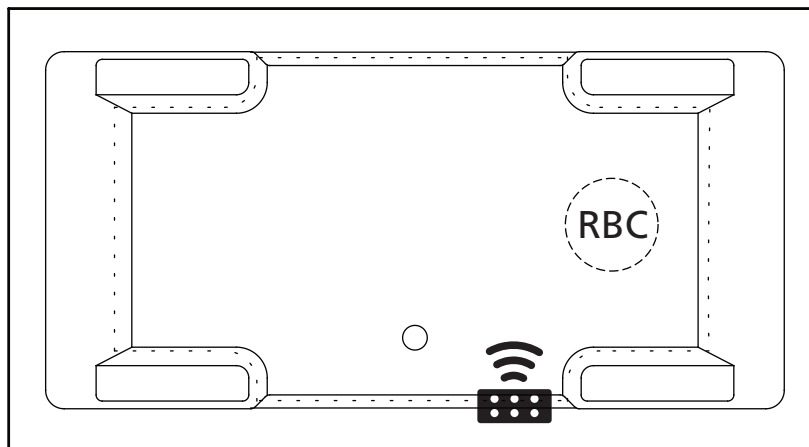




Remote Blower Connection



REMOTE CONTROL  
(With INVISIBLE MAGNETIC HOLDER)



**Airbath System II**  
Blower must be remotely located  
(Diagram is required for custom blower connection)

### STANDARD EQUIPMENT

- Americh Remote Control (with AirBath System only)
- Integral Waste & Overflow

### OPTIONAL ACCESSORIES

- Dual Color (Premium Color Upcharge)
- Pillows: 12" - Angle
- Lo Profile Tub Edge
- Waste & Overflow Upgrade
- Linear Waste & Overflow

### INSTALLATION TIPS

- Install according to Owner's Manual and local codes.
- The bath must be secured to the floor by applying a bead of silicone around the base
- Hot water supply should be 65-75% of tub capacity or greater.

### ELECTRICAL REQUIREMENTS

Americh recommends one 20 amp ground fault circuit interrupter (GFCI) for each power supply provided with the bathtub.