

260304PSM – REMODELINE SECTIONALS

60 x 30 x 79 inches



FEATURES

- 4-piece tub-shower
- Smooth wall
- Multiple integrally molded toiletry shelves
- Above-floor rough
- Integral 21" skirt
- Left or right hand drain
- Slip-resistant, textured bottom
- AcrylX™ applied acrylic surface
- Lifetime limited warranty

OPTIONS

- Grab bar reinforcement
- Factory installed assisted care grab bars
- Designer drain, waste & overflow

AQUATIC ADVANTAGE

- National distribution
- 7 manufacturing facilities
- Private fleet
- Centralized customer service
- Field support

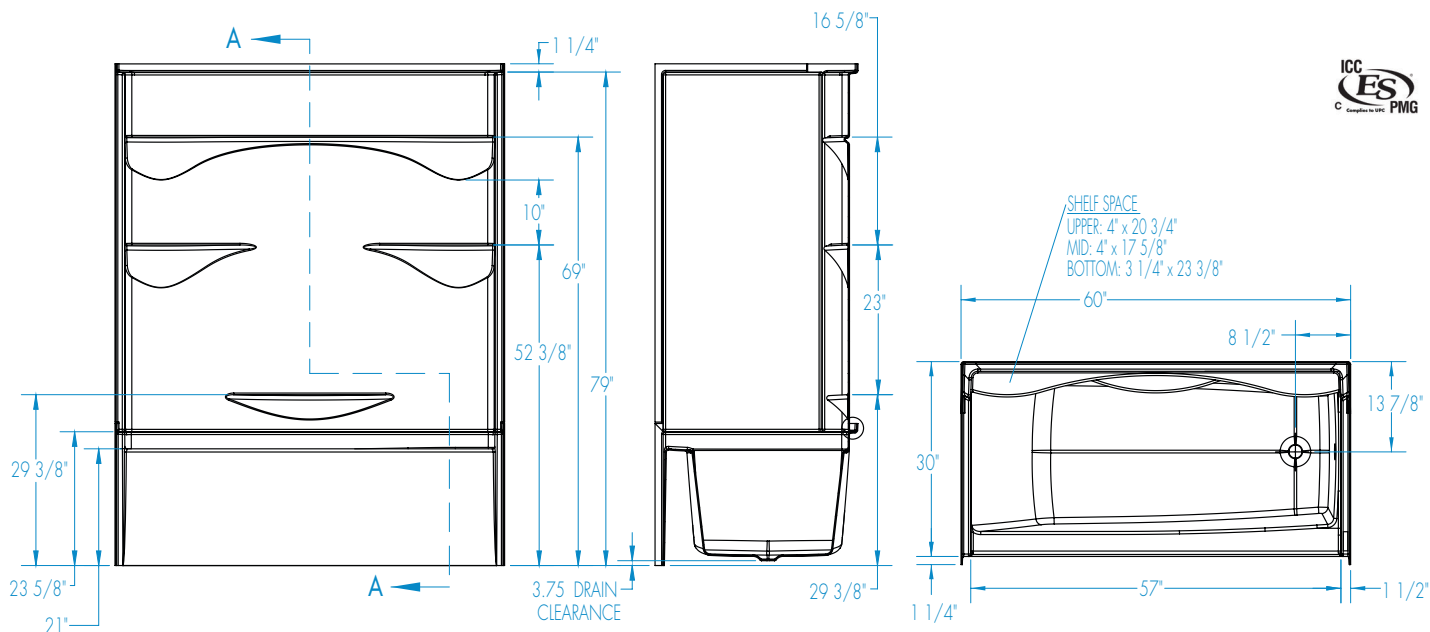
COLOR OPTIONS

Stock	Upgraded	Premium
White	Almond Biscuit/Linen Bone	Black Mexican Sand Sand Bar Sterling Silver



260304PSM

60 x 30 x 79 inches



FEATURES lbs Dimensional Tolerance $\pm \frac{3}{16}$ ". Dimensions needed for site preparation should be measured from the unit. Aquatic assumes no responsibility for preparatory work.

Model #	Material	Wall Finish	Pieces	Drain	Seat	Net Wt.	Pkg. Wt.
AFR Tub-Shower #260304PSM	AcrylX™	Smooth	4	LH or RH	—	156	161

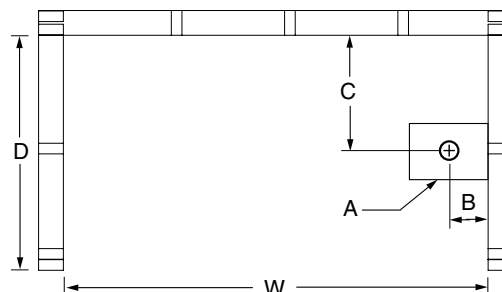
DIMENSIONS

Specifications	inches
Width: Overall / Net	60
Depth: Overall / Net	31 1/4 / 30
Height: Overall / Net	80 1/4 / 79
Enclosure Opening	57
Skirt Height	21
Drain Rough-In (from Back Wall)	13 7/8
Drain Rough-In (from Side Wall)	2
Drain: Diameter / Clearance	2 / 3 3/4

FRAMING DIMENSIONS

 inches

Type	D Depth	W Width	H Height	A	B	C
Alcove	31 1/4	60	—	Box Out	2	13 7/8



SUMP DATA

Top of Drain to Bottom of Overflow	Capacity to Overflow gal (ltr)	Min. Operating Capacity gal (ltr)	WIDTH @ centerline		DEPTH @ centerline	
			Top	Bottom	Top	Bottom
12 5/8	56 7/10	—	56 1/4	46	24 5/8	22 1/2