

6042BWC – EVERYDAY BATHS

60 x 34-42 x 24½ inches

SOAKER MODEL #6042BWC

WHIRLPOOL MODEL #6042BWCWP



FEATURES

- Alcove bath
- Integral tiling flange (3T)
- 6 ½" wainscot
- Integral bowed skirt
- Extra large bathing well
- Ergonomic backrest
- Slip-resistant textured bottom
- Center rear drain
- AcrylX™ applied acrylic surface
- Lifetime limited warranty

Whirlpool Features:

- 6 directional hydrotherapy jets
- Available in White and Biscuit/Linen only
- Color matched trim
- Pneumatic on/off control
- Advanced safety suction system

AQUATIC ADVANTAGE

- National distribution
- 7 manufacturing facilities
- Private fleet
- Centralized customer service
- Field support

COLOR OPTIONS

Stock	Upgraded	Premium
White	Almond Biscuit/Linen Bone	Black Mexican Sand Sand Bar Sterling Silver

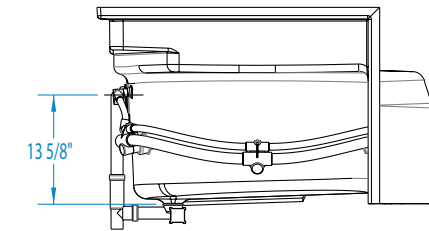
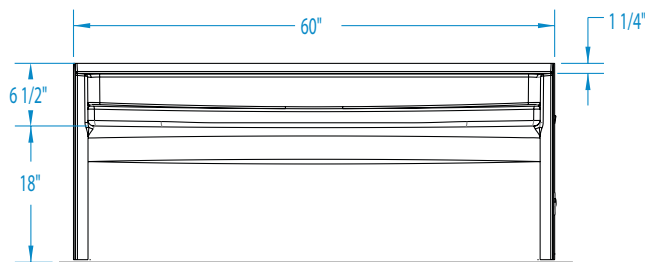
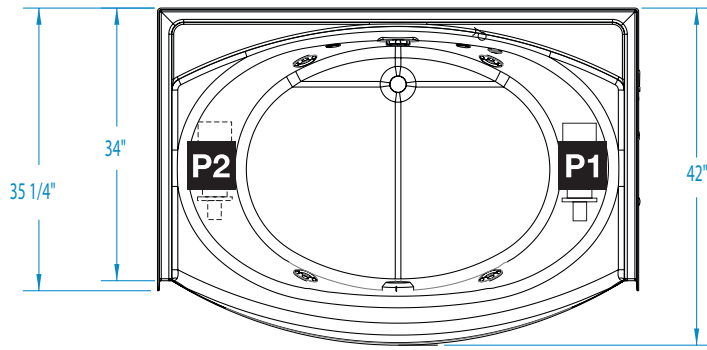
OPTIONS

- Designer drain, waste & overflow



6042BWC

60 x 34-42 x 24½ inches



FEATURES lbs Dimensional Tolerance ± 3/16". Dimensions needed for site preparation should be measured from the unit. Aquatic assumes no responsibility for preparatory work.

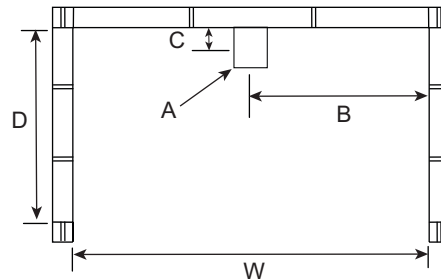
Model #	Material	Jets	Motor	Controls	Drain	Net Wt.	Pkg. Wt.
Soaker #6042BWC	AcrylX™	–	–	–	Center Rear	71	76
Whirlpool #6042BWCWP	AcrylX™	6	63 GPM	Pneumatic	Center Rear	120	130

DIMENSIONS

Specifications	inches
Width: Overall / Net	60
Depth: Overall / Net	35 ¼ / 34-42
Height: Overall / Net	25 ¾ / 24 ½
Enclosure Opening	56 ½
Skirt Height	18
Drain Rough-In (from Back Wall)	2 ½
Drain Rough-In (from Side Wall)	30
Drain: Diameter / Clearance	2 / 1 ¼

FRAMING DIMENSIONS inches

Type	D Depth	W Width	H Height	A	B	C
Alcove	35 ¼	60 ½	23 ¾	Box Out	30	2 ½



SUMP DATA

Top of Drain to Bottom of Overflow	Capacity to Overflow gal	Min. Operating Capacity gal	WIDTH @ centerline		DEPTH @ centerline	
			Top	Bottom	Top	Bottom
12 ¾	53 ½	48 ½	52 ½	40 ¾	34 ½	30 ½