



Installation Data Shower Pans

3232CPAN/NS, 3636CPAN/NS, 4242CPAN/NS, 4834CPAN/NS,
6030CPAN/NS, 6034CPAN/NS
Patent Pending

NOTICE: Please inspect the unit thoroughly before installation to make sure it has not been damaged during transportation. Under no circumstances should a damaged pan be installed. Neither Aquatic nor the distributor will be responsible for removal or reinstallation costs should a replacement be necessary.

IMPORTANT! Before installation begins:

- READ ALL INSTALLATION INSTRUCTIONS COMPLETELY. IMPROPER INSTALLATION WILL VOID THE WARRANTY.**
- Make sure that walls and floors meet fire safety requirements of local building code and/or FHA/HUD Minimum Property Standards.
- All dimensions are nominal. The stud opening is $+1/8"$ (3mm) - 0.

Pre Installation Requirements:

- In remodeling, if necessary, add studs at each end to provide a vertical nailing surface for the side nailing flanges of bath fixture product.
- To avoid obstruction during installation make sure that supply lines, spout pipe and valve plumbing do not project into alcove.
- Shower pans require a 6" (150mm) diameter floor opening for 2" (50mm) IPS drain fitting connection. [See Chart 1 for location]
NOTE: Be sure floor opening location matches left-hand, right-hand or center bath fixture drain location.
- Locate rough plumbing/valving according to the manufacturer's instructions. Do not install trim at this time.

Installation

- Make sure framed-in alcove is of proper size per Aquatic dimensions, (See Chart 1. The stud opening is $+1/8"$ (3mm) - 0), square, and plumb; check floor for levelness.
- Place pan in alcove with the front skirt firmly on the floor. **The pan must be set level.** To check, use a 3' (915mm) long (minimum) level on top of the ledge on both ends of pan and on top of dam. [See Diagram 2]
- After leveling pan, mark each stud (or concrete or block wall) immediately above the back horizontal flange. Remove pan from alcove.
- Apply sanitary drain assembly, per drain manufacturer's recommendations to the pan.
- **NOTE:** No foundation materials are required on Aquatic shower and tub-shower units.

- Place pan into alcove with front skirt firmly on floor. Make certain that unit is level [See Diagram 2].
The pan must be set level.
- Pre-drill and fasten flange above scribe line shown on pan. [See Diagram 2].
NOTE: Fasteners to wood framing - 1" (25mm) galvanized roofing nails or 1" (25mm) pan head screws; to steel studs - drill flanges and studs with $+3/16"$ (5mm) carbide bit and fasten with #8 - 1 1/4" modified truss head screws; to concrete/block walls use 1" (25mm) concrete nails with nailing tool or impactor. **NOTE:** Pre drilling flanges is required to prevent cracking of unit.
 - Spot-fasten the four corners of the nailing flanges to studs above line on pan. Recheck level.
 - Fasten at each stud (concrete; 16" (405mm) on center), working from both ends toward back center. [See Diagram 2]
- Finished Wall Coverings:
 - For cultured marble walls - Bring water resistant wall board down to the top of the flange. Apply 100% silicone sealant with mildew resistant properties between the gypsum board and nailing flange. Apply cultured marble over the gypsum board to the horizontal surface of the unit, then seal the seams of the cultured marble. [See Diagram 3, Detail A]
 - For ceramic tile with cementitious backer board - Furring strips as thick as nailing flanges are recommended above the unit. Apply concrete backer board to leave at least a gap of 1/4" between the backer board and the horizontal surface of the pan. Apply 100% silicone with mildew resistant properties between the backer board and the horizontal surface of the unit. Apply finished wall tiles, leaving the valley detail on the pan clear of all materials to allow trapped water to escape. Finishing of other trades should be done in conformance with applicable codes and generally accepted building practices. [See Diagram 3, Detail B]
 - For ceramic tile with traditional mortar bed - Apply the waterproof membrane overlapping the flange of the unit 1" min. Apply wire over the flange to leave a gap of 1/4" between the wire and the horizontal surface of the pan. Apply the mortar bed to the second step of the pan, leaving the third step clear for tile. Apply 100% silicone with mildew resistant properties, leaving the valley detail on the pan clear of all materials to allow trapped water to escape. Finishing of trades should be done in conformance with applicable codes and generally accepted building practices. [See Diagram 3, Detail C]
- Door Enclosures: Refer to other door manufacturer's installation instructions.
NOTE: Where local codes specify minimum door openings, shower stalls may require swing (not sliding) doors.
- 3232CPAN/NS does not carry the UPC seal and is not approved by some municipal plumbing codes due to inside dimensions. Check local building codes.

CAUTION: DO NOT USE heat, or solvent based cleaning fluids.

Clean-up

NOTE: Do not remove adhered label. Warranty/User Maintenance Label must be left for occupant. (Required by ANSI Z124)

1. To prevent staining and/or blistering: Remove all construction debris before filling product for plumbing inspection. Drain and wipe clean immediately after the inspection process. Use sponge with warm water and liquid detergent. Do not use abrasive cleaners, such as scouring powders or pads, steel wool, scrapers, sandpapers or anything else that may scratch, mar or dull the finish. Roofing tar or paints may be removed with turpentine, rubbing alcohol or paint thinner (not lacquer thinner).
2. Plaster may be removed by scraping with the edge of a piece of wood or rigid plastic. Do not use a metal scraper or utensil to remove plaster or paint from finish.
3. Dulled areas can be restored to a high gloss with white or cream-colored automotive rubbing compound, followed by application of a coat of good quality white automotive polish (or similar) and buff with a soft cloth. Do not polish or buff on the standing or floor areas of the pan.
4. Remove minor scratches with 600 grit wet/dry sandpaper, followed by Step #3 (above).
5. Major gouges require professional repair.

User Maintenance Instructions

fixture and void the warranty.

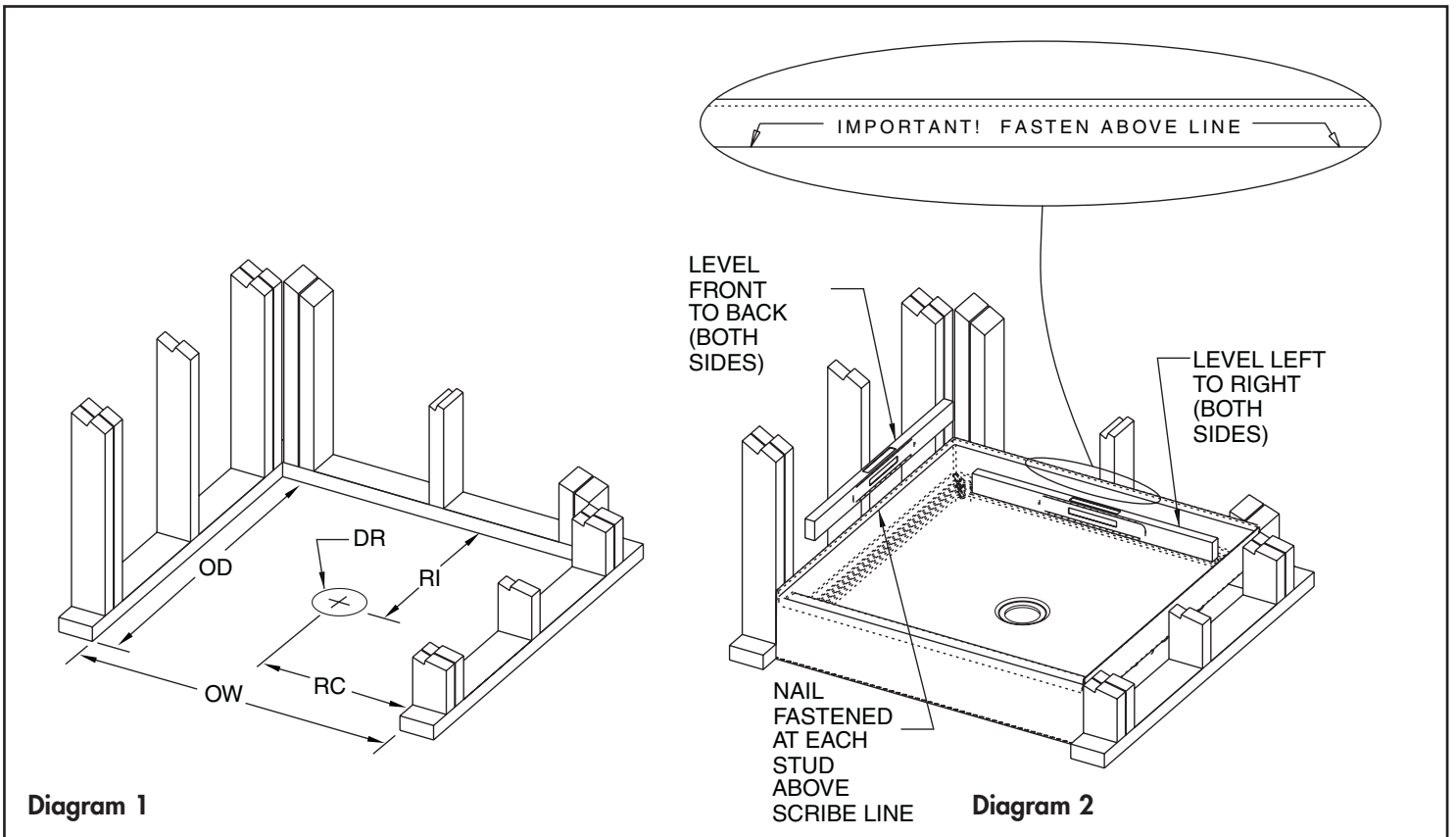
- For normal cleaning: Never use abrasive cleaners such as scouring powders or pads, steel wool, scrapers, sandpaper or anything else that could scratch or dull the surface of your Aquatic unit. Instead, use warm water and liquid detergents or non-abrasive cleansers, especially those bathroom cleaners recommended for cleaning fiberglass.
- To keep your Aquatic bath fixture sparkling clean: Apply a coat of good quality automotive paste wax or polish and buff to a high shine with a soft cloth or towel. Repeat every six months for easier cleaning and long lasting protection.
NOTE: DO NOT WAX floor/bottom of unit, which could result in greater risk of slipping and personal injury.
- To restore a scratched or dull unit: Use an automotive polishing compound applied with a clean cotton rag. Rub scratches and dull areas vigorously. Wipe off residues. Follow with automotive wax treatment described above.
- To remove adhesive: Try 3-M Natural Cleaner, De-Solv-It® or similar materials. If residues remain, saturate a small, white, cotton rag with nail polish remover (naphtha or acetone) and rub vigorously until the adhesive dissolves and disappears. These solvents are highly flammable and must be used sparingly and with caution. Do not smoke or permit others to do so. Make sure all nearby heating devices (including pilot lights) are extinguished. Do not allow solvent to go down the drain. Make sure not to contact plastic drain grates or other synthetic materials.
- Rubber Mats: If you use a rubber "anti-skid" mat, make sure to remove it from the unit after each use to avoid harm to the surface finish.
- Hard Water: Water in certain regions, if not wiped up after bathing/showering, may cause fading of some bath fixture colors. This is a natural occurrence beyond Aquatic's control. (See Warranty)

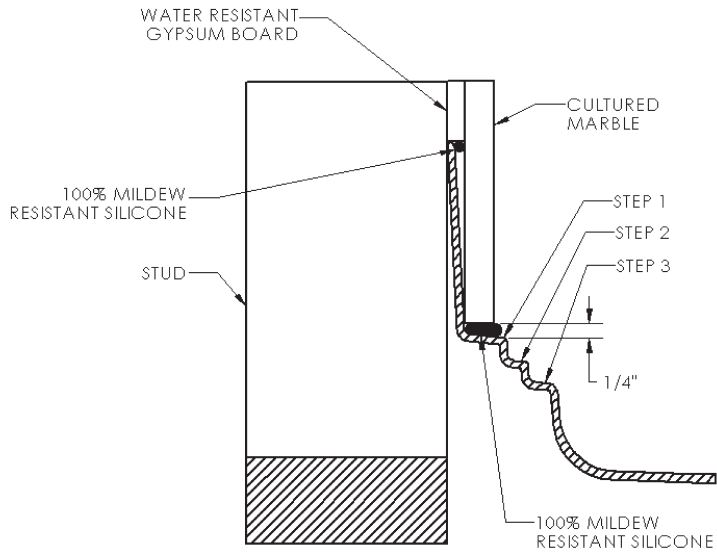
CAUTION: When using any cleaning or polishing materials, make sure to read and follow all package instructions carefully. Wear rubber gloves at all times and avoid contact with eyes, skin, clothing, rugs and furnishings. Make sure all residues are rinsed off thoroughly.

Rough-In Dimensions

MODEL	OW Overall Width	OD Overall Depth	OH Overall Height	DH Dam Height	RI Rough-In	RC Rough-Center	DR/DC Drain Diameter Drian Clearance	Fax-On-Demand Doc. #	Approx. Wt. lbs. (kg)
3232CPAN/NS	32" (810mm)	32" (810mm)	7 1/8" (180mm)	6" (150mm)	15 1/2" (395mm)	16" (405mm)	3 1/4" / 3/8" (80mm) / (10mm)	2101	25lbs. (9kg.)
3636CPAN/NS	36" (915mm)	36" (915mm)	7 1/8" (180mm)	6" (150mm)	17 1/2" (445mm)	18" (455mm)	3 1/4" / 3/8" (80mm) / (10mm)	2102	34lbs. (15kg.)
4242CPAN/NS	42" (1065mm)	42" (1065mm)	7 1/8" (180mm)	6" (150mm)	20 1/2" (520mm)	21" (535mm)	3 1/4" / 3/8" (80mm) / (10mm)	2103	42lbs. (19kg.)
4834CPAN/NS	48" (1220mm)	34" (865mm)	7 1/8" (180mm)	6" (150mm)	16 1/2" (420mm)	24" (610mm)	3 1/4" / 3/8" (80mm) / (10mm)	2104	41lbs. (19kg.)
6030CPAN/NS	60" (1525mm)	30" (760mm)	7" (180mm)	6" (150mm)	14" (355mm)	8 1/2" (215mm)	3 1/4" / 3/8" (80mm) / (10mm)	1358	47lbs. (21kg.)
6034CPAN/NS	60" (1525mm)	34" (865mm)	7 1/8" (180mm)	6" (150mm)	16 1/2" (420mm)	30" (760mm)	3 1/4" / 3/8" (80mm) / (10mm)	2105	50lbs. (23kg.)

Chart 1





SECTION DETAIL A

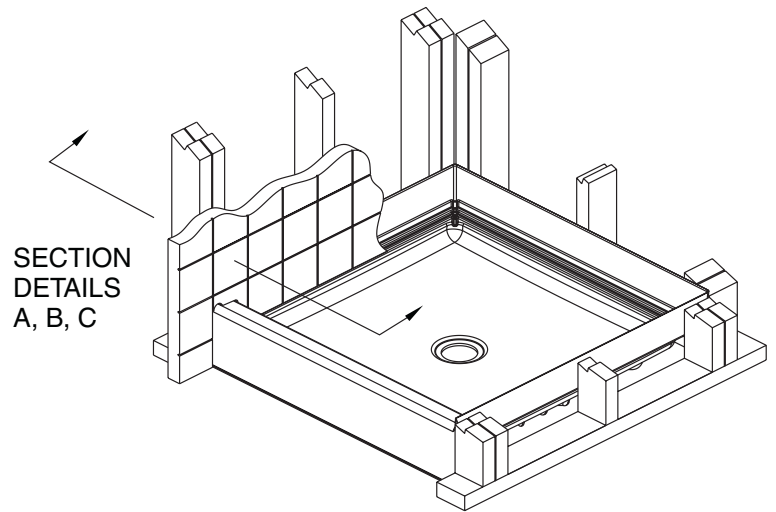
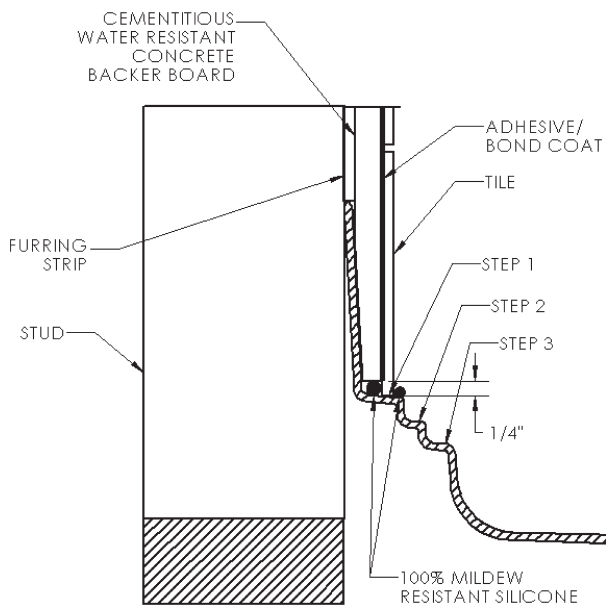
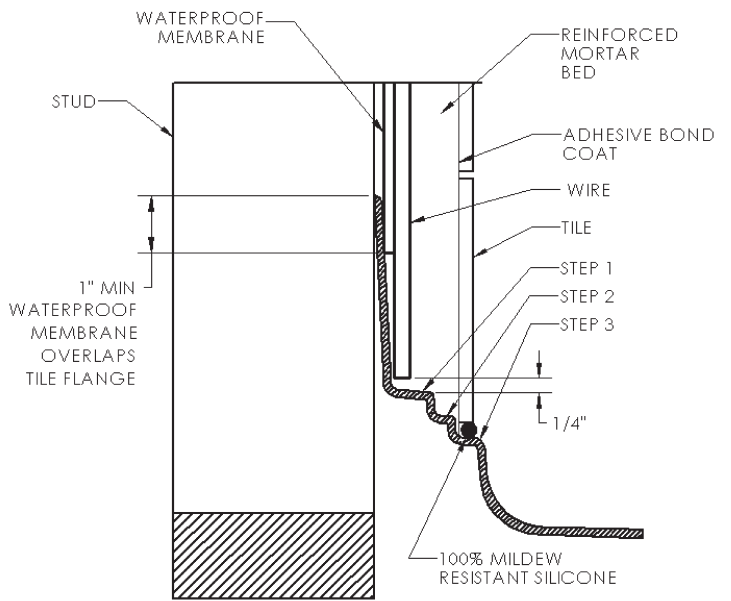


Diagram 3



SECTION DETAIL B



SECTION DETAIL C



Customer Service | Technical Services | Warranty Services

1521 No. Cooper, Ste. 500
 Arlington, TX 76011
 PH: 800-945-2726, 817-801-8300
 FAX: 866-544-5353

LITID1166

Rev 06.02.16