

aquatica®  
*Function, Form & Fashion*



*Purescape™ 748*

Aquastone™ Bathtub

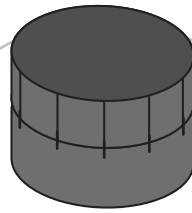
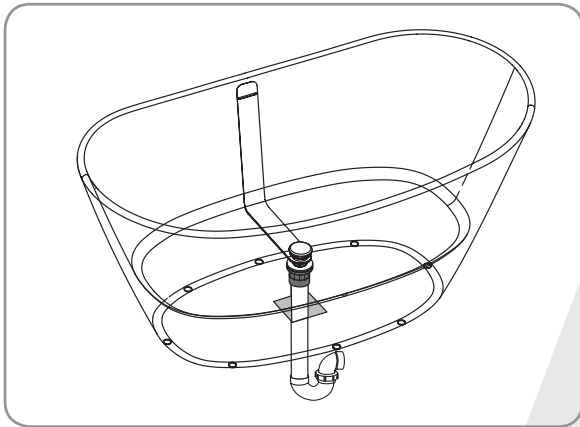
Installation & Care Manual

USA and CANADA

[www.aquaticaplumbing.com](http://www.aquaticaplumbing.com)

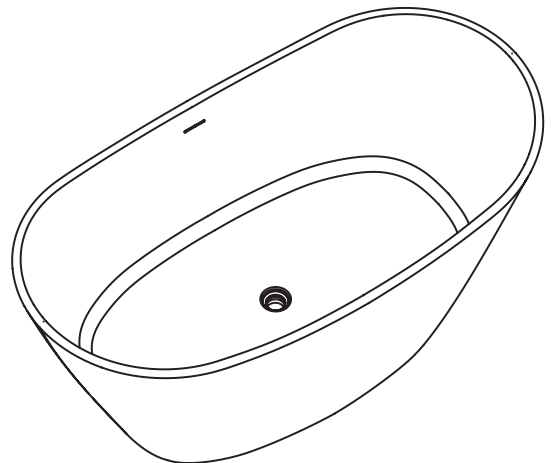
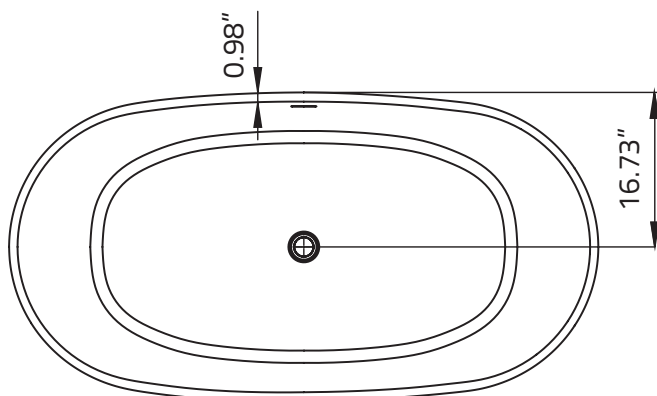
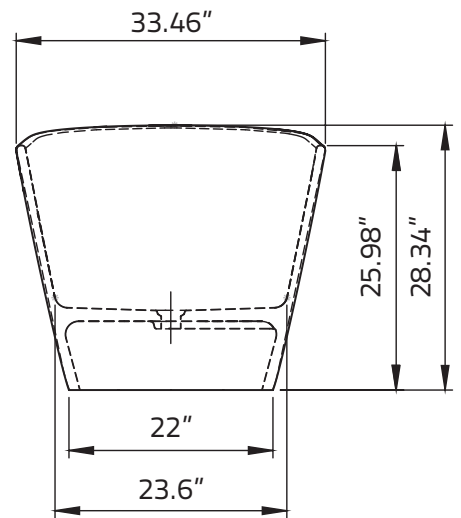
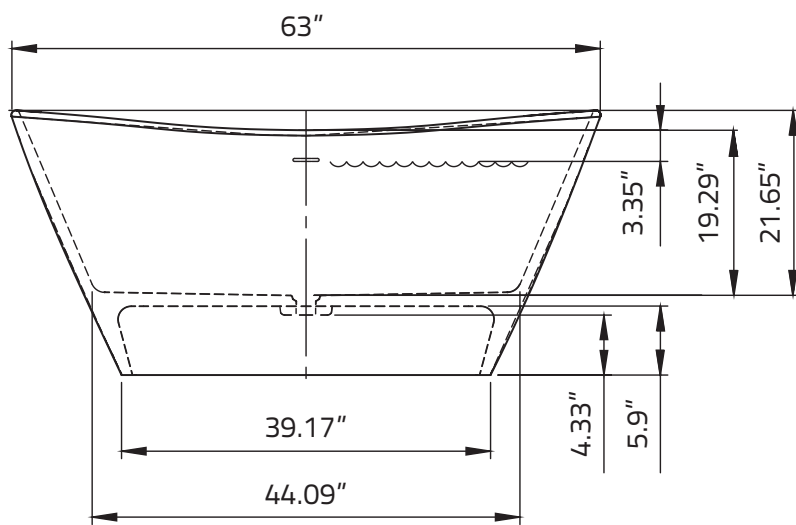
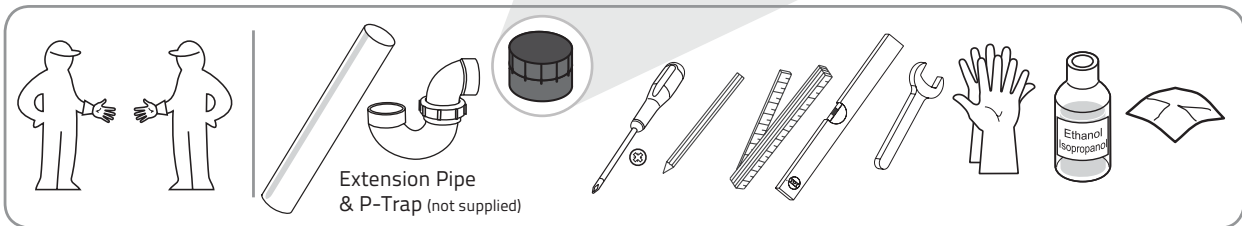
E: [info@aquaticaplumbing.com](mailto:info@aquaticaplumbing.com)

aquatica®  
*Function, Form & Fashion*



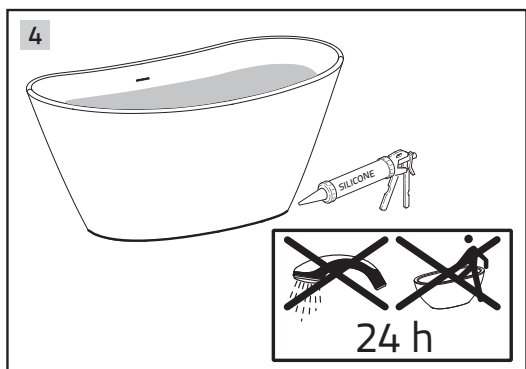
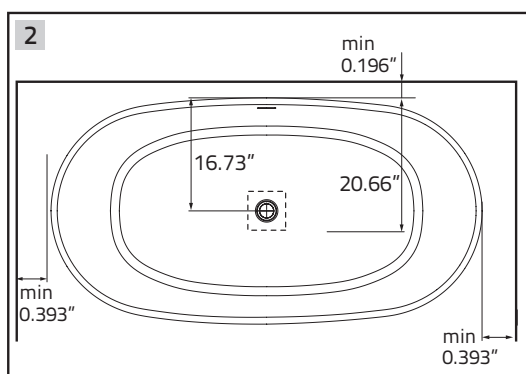
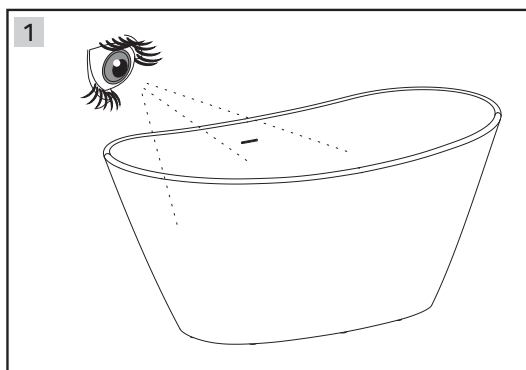
Use Home Depot PART '1 1/2" ABS Female Adapter Hub x FIPT or equivalent from another supplier

The ABS female adapter features a hub x female NPT thread connection and provides a means for adapting a solvent weld connection to a threaded connection

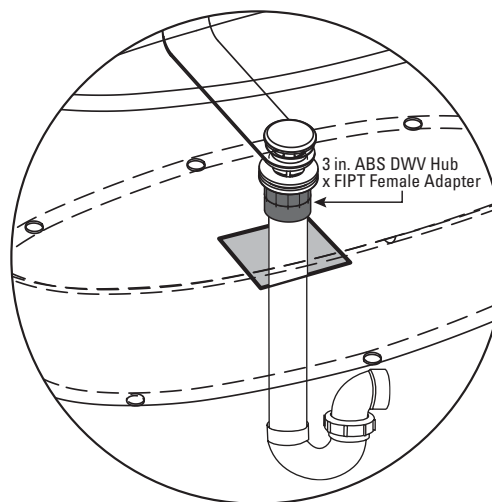
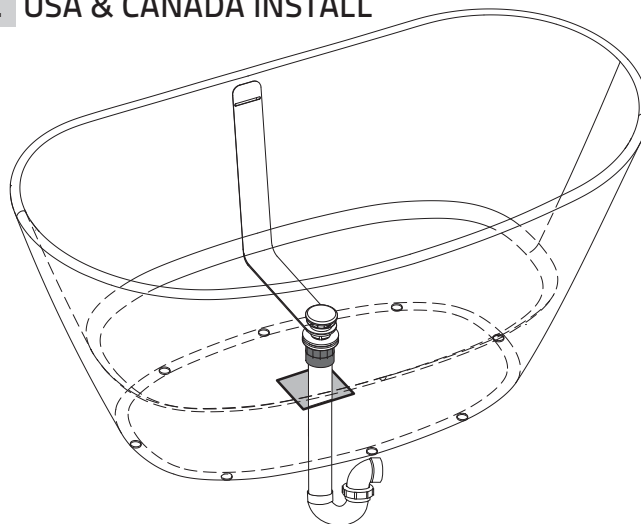


# Purescape™ 748 Aquastone™ Bathtub

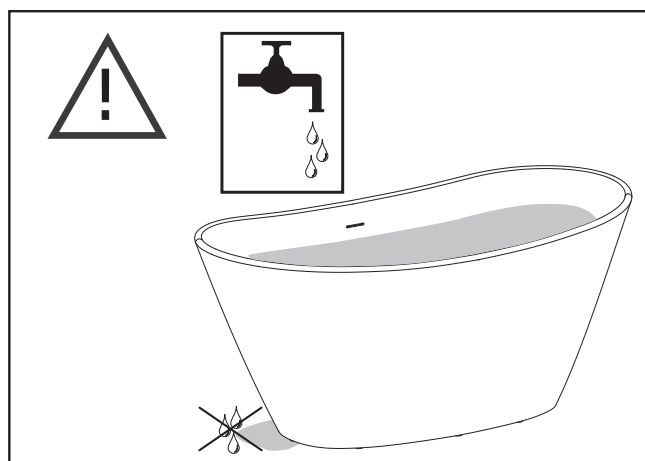
## Installation Instructions



### 2 USA & CANADA INSTALL



The ABS female adapter features a hub x female NPT thread connection and provides a means for adapting a solvent weld connection to a threaded connection





## Alternative Installation Procedure STONE BATHTUB INSTALLATION

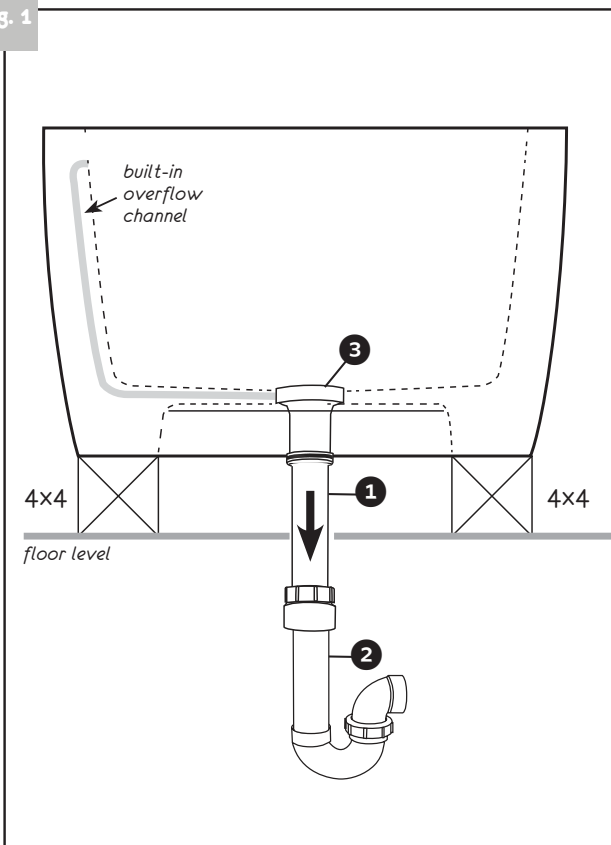
### General Considerations:

- Floor support under bath must provide for a minimum of 1400 lbs. (635 kg). Hot water supply should be 70% of capacity or greater.
- We strongly recommend to have access from the floor below, it will help you to connect the piping much more easily. Connecting without having access is also possible.
- Determine the location of the bathtub, taking the position for the faucets into account as well as the water supply piping and the drain.
- Shims may be required to level the tub depending on finish floor surfaces. Shims are not included. When adjusting the level allow a slight clearance (1/8") between the finished floor and the apron. Note: use a level to ensure accuracy.
- Install the plumbing and drainage before securing the unit in place.
- Before cutting a hole in the floor for drain piping, ensure the space is free of pipes, floor joists, heating ducts and electrical wires. If the location for the bathtub is not free of these please contact a building structure expert prior to cutting any joist.
- It is recommended to have the plumbing installed by a professional plumber.

### Floor opening

Determine the position of the bathtub allowing enough space for the plumbing and making sure that the drain and plumbing are not directly above the floor joists. You will need to cut an opening in the floor. We recommend that you do this only once you have the tub on hand.

Fig. 1



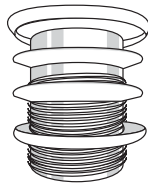
### Installation Instructions if you don't have access from the room below:

- Before placing the bathtub, insert the male part of the expansion joint (1) halfway to the female part (2).  
**Note** - these 2 parts are not supplied with the tub and must be supplied by your plumber.
- Place the bathtub by raising it up 3 1/2" with 4X4 pieces of lumber so you can still have access from the bottom of the bathtub.
- Align the drain (3) to the expansion joint (1) (fig.3).
- From the bottom of the bathtub, tighten the collars of the expansion joint (1) to the drain (3) (don't forget to use the seal washer in between).
- Tighten the collars of the expansion joint (2) just tight enough so the male part (1) can still slide in. (Fig.3)
- Fill the water in the bathtub and let it drain out.
- From the bottom, make sure that all the joints are watertight.
- Move the bathtub down slowly by removing the pieces of lumber.
- Do a silicone joint pressure seal between the base of the bathtub and the floor. The sealer absolutely must penetrate thoroughly beneath the rim of the apron. This will ensure that no water seeps underneath the bathtub, while also supporting the tub apron.



## Alternative Installation Procedure

### APPENDIX



- **Drain** (provided)



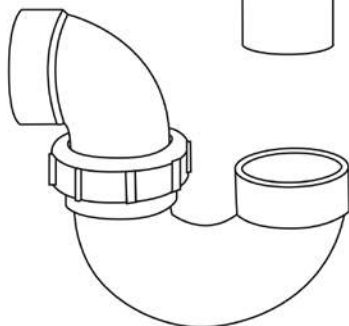
- **1½" Tail Piece with Nut\*** (cut to length)



- **1½" Male Adapter\*** (cut to length)



- **1½" ABS Pipe\*** (cut to length)



- **1½" ABS Trap\***

\* Provided by plumber

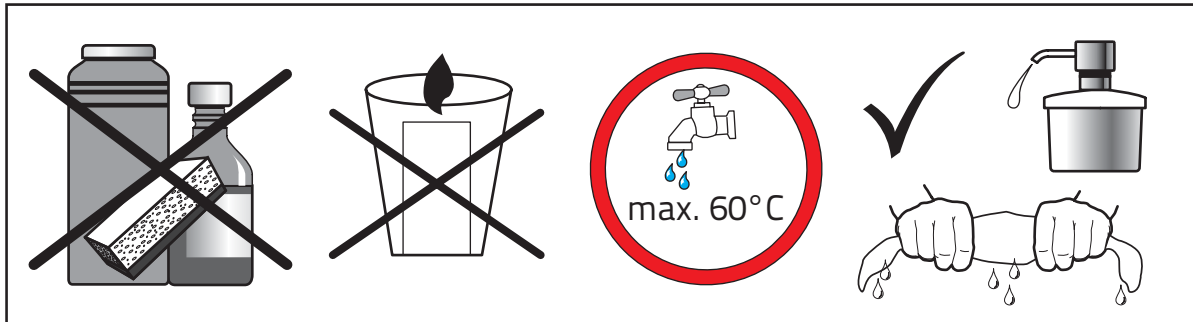
PureScape 748 - Maintenance Instructions

PureScape 748 - Инструкция по уходу

PureScape 748 - Installation & Entretien

PureScape 748 - Manuale per il corretto mantenimento

PureScape 748 - Instrucciones para la correcta manutención



 **Maintenance Instructions**

The smooth surface of your Aquatica® Aquastone™ Bathtub accumulates hardly any dirt, and can be maintained by simply cleaning with a soft cloth, using a mild detergent in water, then wiping over with a dry cloth.

Avoid using abrasive cleansers or solvents, which will cause damage to the surface. Damage caused by use of these products, or any other inappropriate treatment, is not covered by our guarantee.

 **Инструкция по уходу**

Поверхность легко чистится. За счет гладкости грязь к ней не прилипает. Для регулярного ухода используйте мягкую ткань, мыльный раствор и воду. После чистки вытирайте поверхность сухой тканью, которая хорошо впитывает влагу.

Не используйте губки с абразивной поверхностью и агрессивные растворители, которые могут повредить ванну. Повреждения, возникшие вследствие неправильного ухода, не покрываются гарантией.

 **Installation & Entretien**

Cette surface est facile à entretenir et à nettoyer. Sa surface particulièrement lisse, ne retiens que très peu la saleté. Un entretien quotidien nécessite simplement l'utilisation d'un chiffon doux, de l'eau et un peu de savon. Essuyer avec un chiffon sec. L'utilisation de détergents ou de solvants endommageraient cette surface.

Les dommages résultants d'un traitement non conforme effectué par l'utilisateur sont exclus de la garantie que nous offrons.

 **Manuale per il corretto mantenimento**

La superficie necessita di pulizia ed accorgimenti per il corretto mantenimento. Una superficie liscia non accumula lo sporco. Usare una spugnetta con del detergente non aggressivo per una pulizia regolare. Asciugare con un panno. Evitare l'uso di solventi o materiali abrasivi: potrebbero rovinare la superficie.

Un danno causato da trattamento inappropriato non verrà coperto dalla garanzia.

 **Instrucciones para la correcta manutención**

La superficie debe de ser limpiada y adecuadamente mantenida. Una superficie lisa no acumula suciedad.

Utilice una esponja con un detergente suave para la limpieza diaria. Seque con un paño.

No utilice disolventes o materiales abrasivos ya que podrían dañar la superficie.

Los daños causados por el tratamiento inadecuado no serán cubiertos por la garantía.

