

aquatica®

*Function, Form & Fashion*

Install a Freestanding Bath Tub in minutes.

No muss. No fuss.

No kidding.

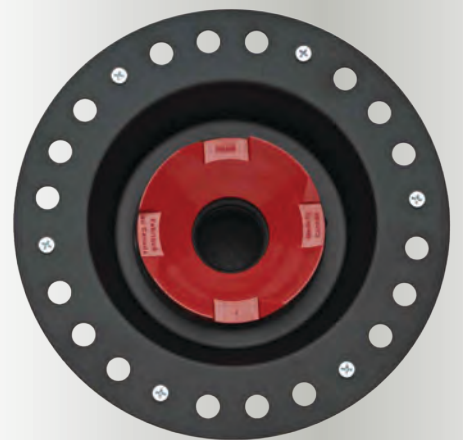
Your job just got easier.



Aquatica®  
Freestanding Bath  
Installer™

Installation Manual

USA and CANADA



[www.aquaticaplumbing.com](http://www.aquaticaplumbing.com)

E: [info@aquaticaplumbing.com](mailto:info@aquaticaplumbing.com)

aquatica®  
*Function, Form & Fashion*

# Aquatica® Freestanding Bath Installer™

## Certification



### FEATURES

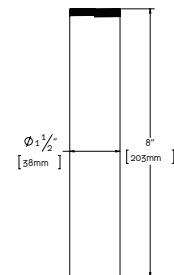
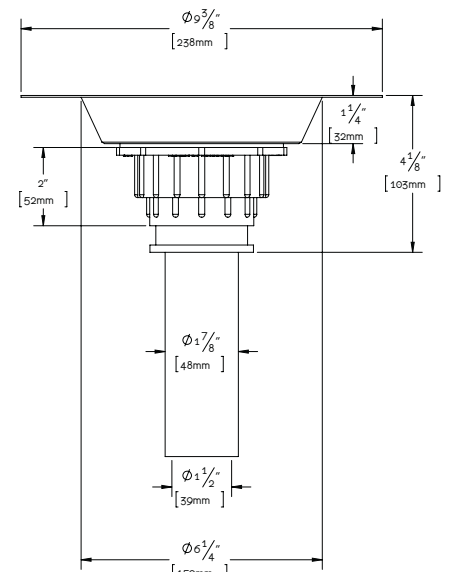
- 18 Gauge Epoxy coated Metal Deck Flange
- Designed to be installed in an 8" joist space
- Can be installed with Waterproofing Membrane (\*bronte™ NobleSeal TS Recommended)
- CSA Certified for Canadian and US markets

### KIT INCLUDES

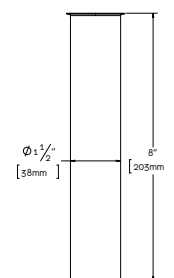
- 2 Brass Tailpieces (Fine Thread and Flanged)
- Freestanding Bath Installer™ assembly with 1-1/2" DWV ABS tailpiece
- Cutting template

### INSTALLATION TIPS

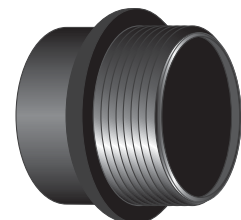
- Use 6.5" hole saw to cut sub floor (not included). Cutting template included
- Do not cut the brass Tailpiece as this may cause a leak
- Secure Deck Flange with 6 screws (not included)



1 1/2" brass tube for female threaded stone bath wastes.



1 1/2" flanged brass tube for Aquatica cable-drive and concealed bath wastes.



Male Adapter Spg x MIPT - ABS DWV for Aquatica bath wastes with Sch40 hub outlet.

Thread: 1 1/2" NPSM (1 1/2" IPS)

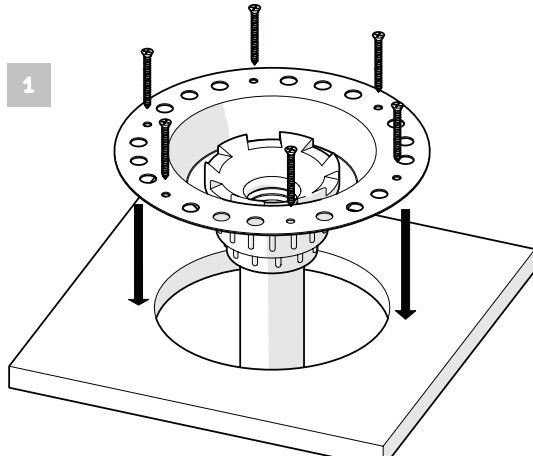
# Aquatica® Freestanding Bath Installer™

aquatica®  
*Function, Form & Fashion*

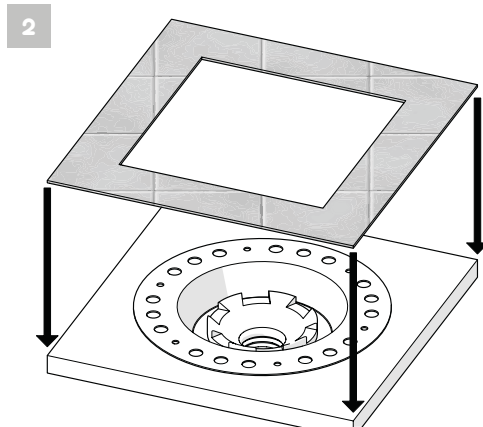


## INSTALLATION INSTRUCTIONS

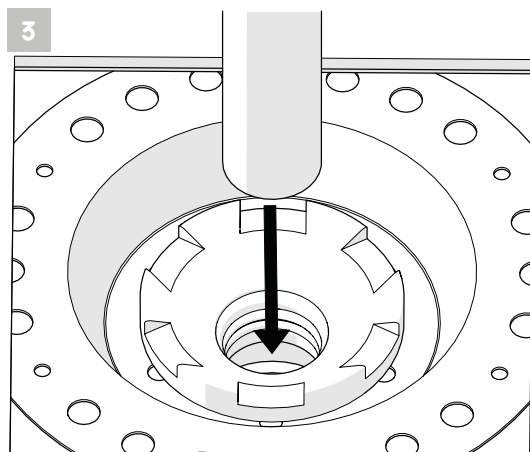
*Attaches to Freestanding Bath W/O*



- 1
- A. Cut 6-1/2" (16.5 cm) hole into wood sub-floor (use supplied Cutout Template).
- B. Measure and cut ABS Tailpiece as necessary to ensure a secure connection to P-Trap below.
- C. Insert Freestanding Bath Installer™ assembly into floor opening and connect to Pipe below.
- D. Affix to sub-floor with 6 screws (not supplied)



- 2
- A. Install flooring surface, leaving a 6-1/2" opening to access Drain.
- B. Affix the appropriate brass Tailpiece to the Waste & Overflow. NOTE: DO NOT CUT THE BRASS TAILPIECE AS THIS MAY CAUSE A LEAK. Ensure the measurement between the base of the Drain and P-Trap will accommodate the Tailpiece.



- 3
- A. Cut out the Installation Label with a utility knife and remove to expose the Drain.
- B. Apply lubricant (supplied) to the Tailpiece.
- C. Position the Tub and brass Tailpiece in-line with the Drain.
- D. Carefully lower the tub with the installed brass Tailpiece into the Red Collar in Drain assembly. Ensure Tailpiece is fully engaged with Seal.

**IMPORTANT:** Do not remove Installation Label until Step 3.

**DO NOT CUT THE SUPPLIED BRASS TAILPIECE.** Doing so may cause a leak.

Disassembling the drain or cutting the Tailpiece will void the warranty.

aquatica®  
*Function, Form & Fashion*



aquatica®  
*Function, Form & Fashion*

Certification

