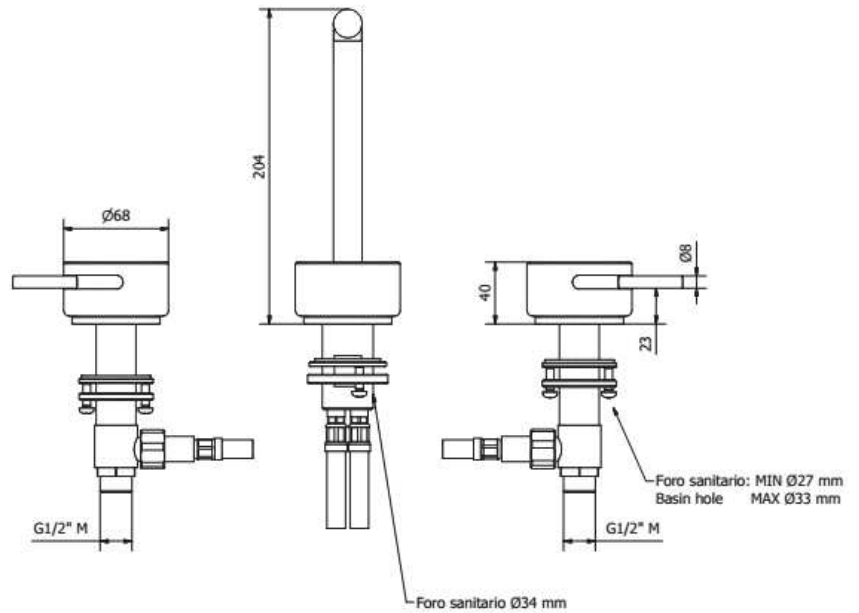


UR16BC



Product Description

Urban widespread lavatory faucet

- solid brass construction
- crystal clear water flow
- press pop-up drain with overflow included
- 1/2" connection

height: 8^{1/16"}

overall projection: 7^{7/16"}

flow rate: 1.5 gpm**

FINISHES

Standard

Polished chrome (pc)

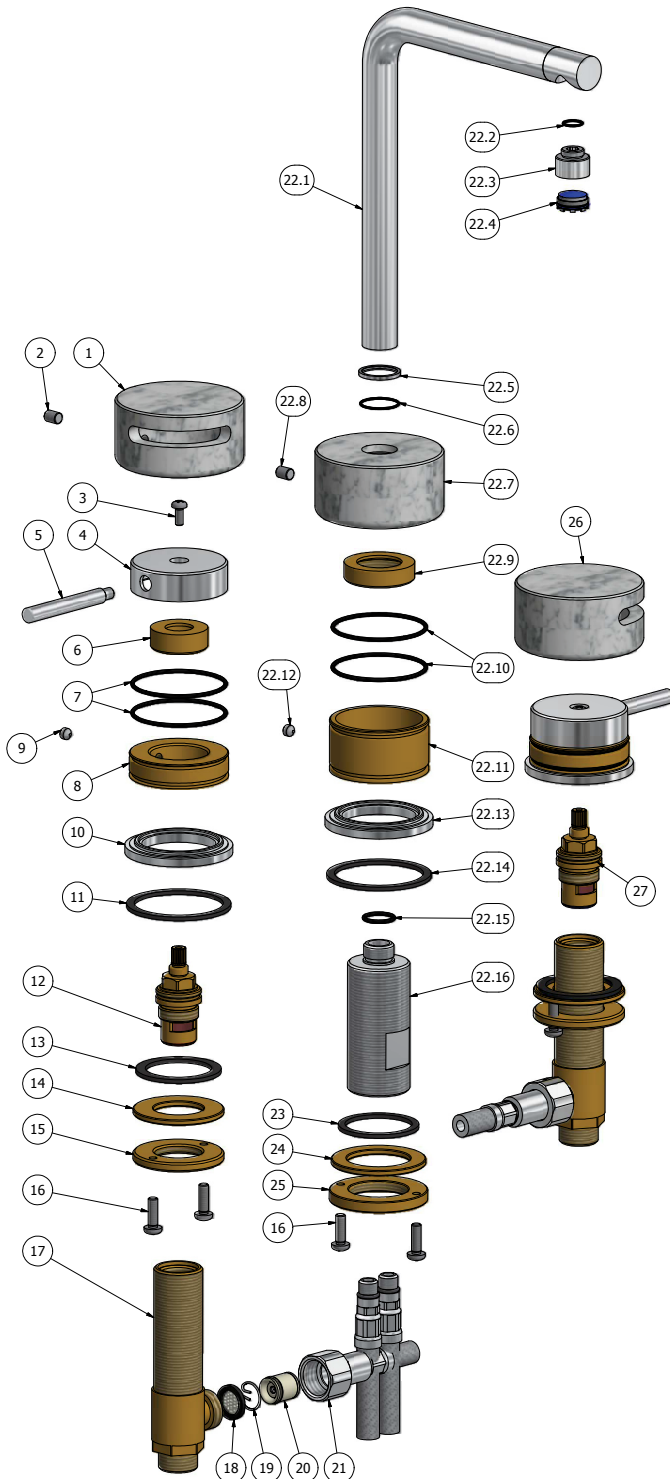
Custom

15 custom finishes available

(ask your local Aquabass authorized dealer for details)

**Optional low flow regulator: #ABAE31221900000 (1.2 gpm), must be pre-installed by Aquabass.

AQUABRASS



ELENCO PARTI			
ELEM	CODICE	DESCRIZIONE	QT
1	AQ0014839	Copertura marmo Ø68 H35 sinistra	1
2	AQ0009151	Grano inox M6x8 p.p.	2
3	AQ0002160	Vite inox M4x10	2
4	AC0012459	Maniglia Ø51 H15.5	2
5	AC0012453	Manettino Ø8 M6 H63	2
6	AS0012451	Inserto fissaggio Ø30.3 H11 M24x1	2
7	AQ0001450	OR 47.37x1.78 NBR 70 SH	4
8	AS0012454	Base maniglia Ø52.4 H13	2
9	AQ0013370	Grano inox M6x5 p.c.	2
10	AC0012458	Basetta Ø57 H6.8 Ø39	2
11	AQ0011028	Guarnizione piana Ø55x47x2	2
12	AQ0002135	Vitone ceramico 90° sinistra HOT	1
13	AQ0008013	Guarnizione piana 45x35x2	2
14	AS0010697	Rondella Ø48x26.5x3	2
15	AS0010698	Ghiera W26x19F fori M5	2
16	AQ0010358	Vite inox M5x16	6
17	AS0002250	Piantana W26x19	2
18	AQ0010360	Guarnizione con filtro G1/2"	2
19	AQ0009678	Anello elastico AISI 302	2
20	AQ0010942	Valvola di regolazione di portata Ø14 3 L/min (31.4176.00000)	2
21	AQ0010273	Flex inox M10x1 G1/2" F valvola L400	2
22	CPMM392CC	Premontato bocca bassa	1
22.1	AC0012505	Bocca saldata Ø18.5 H189 L164	1
22.2	AQ0009416	OR 9x1 NBR 70 SH	1
22.3	AC0012456	Porta aeratore Ø17.9 M12x1 M16.5x1 H14	1
22.4	AQ0014890	Areatore Cachè TT	1
22.5	AC0012561	Anello Ø22 Ø18.9 H2	1
22.6	AQ0015009	OR 19x1 NBR 70 SH	1
22.7	AQ0014837	Copertura marmo Ø68 H35 bianco carrara	1
22.8	AQ0009151	Grano inox M6x8 p.p.	1
22.9	AS0012499	Inserto fissaggio Ø37.3 H9.5 M33x1.5	1
22.10	AQ0001450	OR 47.37x1.78 NBR 70 SH	2
22.11	AS0012452	Basetta bocca Ø52 H28	1
22.12	AQ0013370	Grano inox M6x5 p.c.	1
22.13	AC0012458	Basetta Ø57 H6.8 Ø39	1
22.14	AQ0011028	Guarnizione piana Ø55x47x2	1
22.15	AQ0009818	OR 14x1.78 NBR 70 SH	1
22.16	AC0012449	Gambo fissaggio M33x1.5 M16x1 H80	1
23	AQ0008012	Guarnizione piana 42.5x35.5x2	1
24	AS0010659	Rondella Ø50x33.5x3	1
25	AS0010658	Ghiera Ø52 M33x1.5 H6	1
26	AQ0014842	Copertura marmo Ø68 H35 destra	1
27	AQ0003930	Vitone ceramico 90° destro	1

