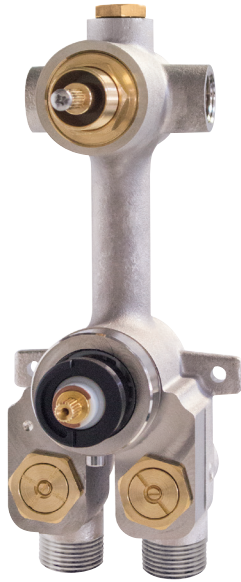


AQUABRASS

Shower Faucet Specifications SF-U-01 / SF-U-01G





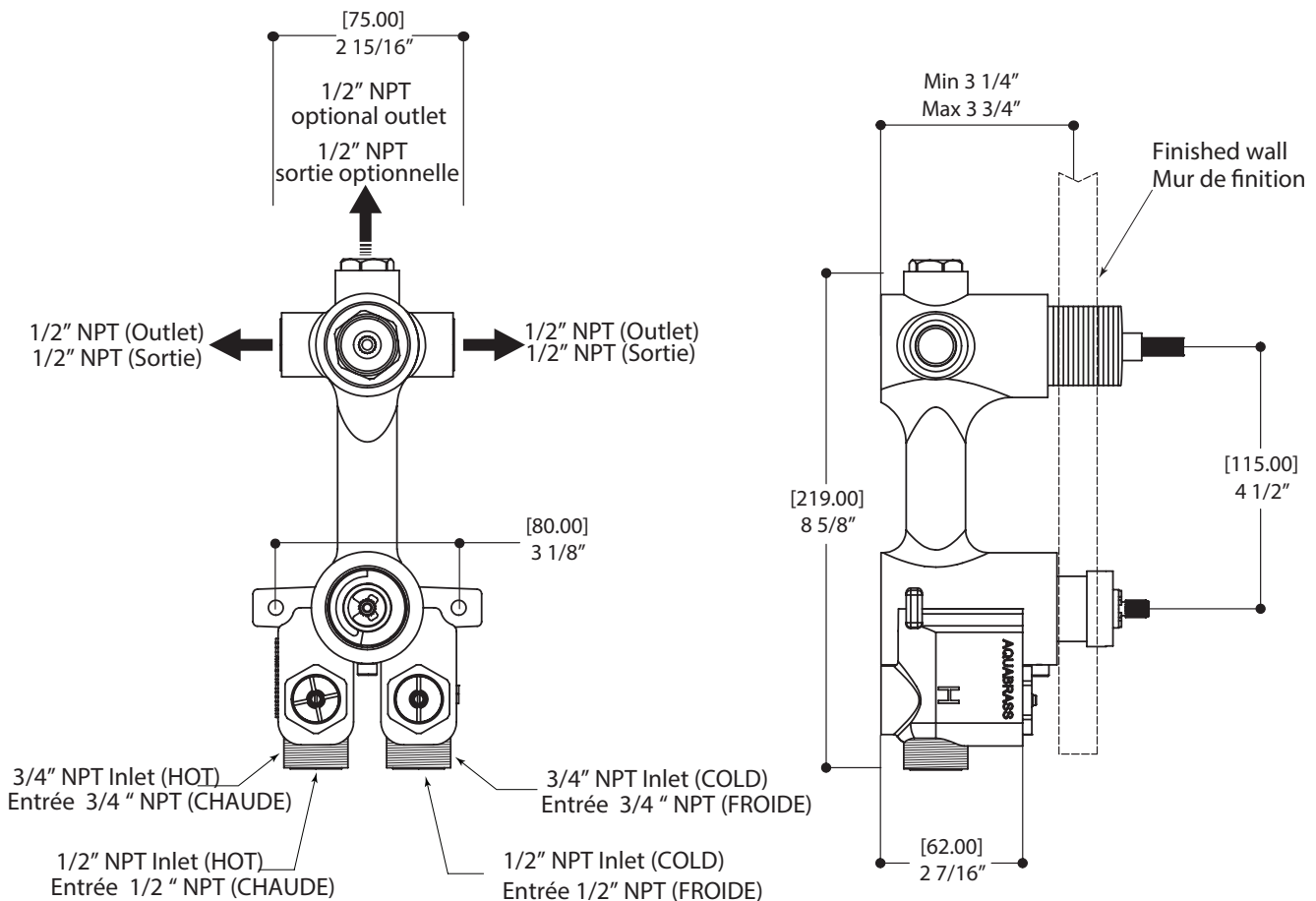
FEATURES

- High flow 3/4" thermostatic cartridge with integral 2 and 3 way diverter
- Universal inlets for 3/4" and 1/2" and connections
- Safety temperature limit stopper, preset at 38C / 100F
- European made nickel plated solid brass rough and cartridge
- Reversible service check valves with filters and improved stop mechanism for back to back installation
- Diverter cartridge not included
- Available a third outlet if required

Flow rate: 12gpm at 45psi

WARRANTY

- Residential: Limited lifetime warranty to original purchaser
- Commercial: Two years warranty
- (Complete warranty available at www.aquabrace.com/warranty)



AQUABRASS



trim R8295
R9295
R8395
R9395

2-way shared functions
2-way 1 function at a time
3-way shared functions
3-way 1 function at a time
round

FEATURES

Solid brass construction
Screwless decorative trim
Thin contemporary style - 4 1/4" x 12" x 1/8"
Decorative cylinders (x2) for shut-off valve and thermo control
Diverter cartridge included
Handles (x2)
Fits 1/2" thermo valve 12123

FINISHES

Standard

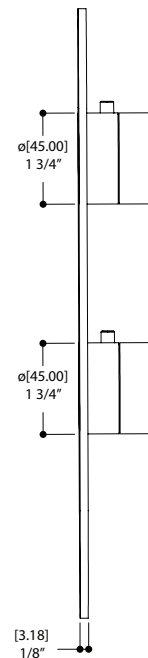
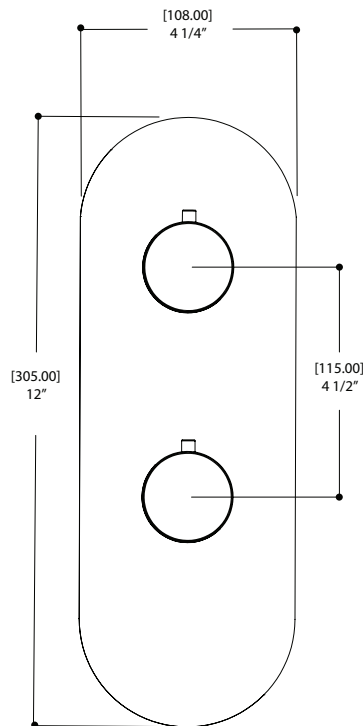
Polished chrome (pc)
Brushed nickel (bn)

Custom

15 custom finishes available
(ask your local Aquabrace authorized dealer for details)

WARRANTY

Residential: Limited lifetime warranty to original purchaser
Commercial: Two years warranty
(Complete warranty available at www.aquabrace.com/warranty)



FEATURES

Solid brass construction
1/2" NPT male connection

FINISHES

Standard
Polished Chrome (pc)
Brushed Nickel (bn)

WARRANTY

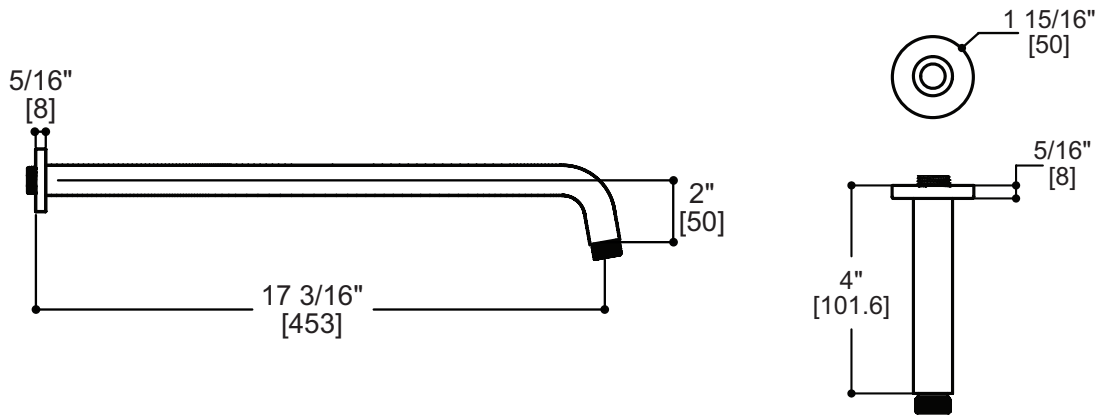
Residential: Residential: Limited lifetime warranty to original purchaser
commercial: Two years warranty
(Complete warranty available at www.aquabrand.com/warranty)



4" round ceiling drop



16" round shower arm & flange





FEATURES

Solid brass construction
Silicone spray nozzles for easy cleaning
water-saving air induction system
1/2" NPT female connection

Flow rate: 2.5 gpm

FINISHES

Standard
Polished Chrome (pc)
Brushed Nickel (bn)
Electro Black (ebk)
Brushed Gold (bgd)

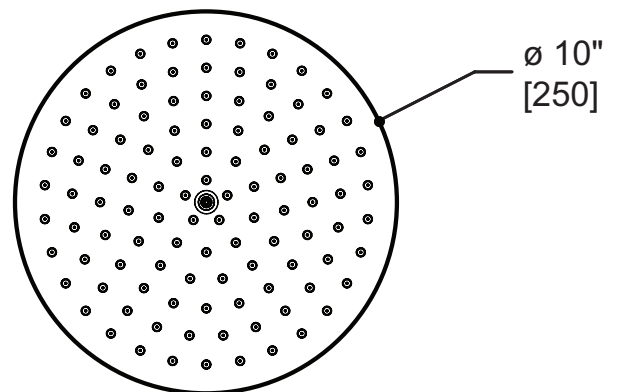
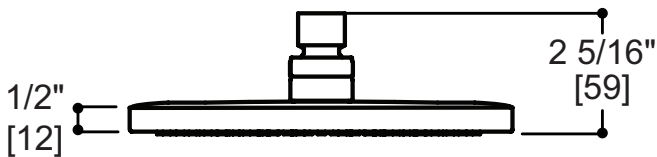
Custom finishes available

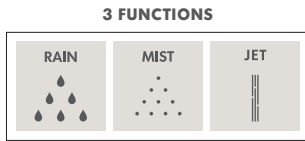
WARRANTY

Residential: Residential: Limited lifetime warranty to original purchaser

commercial: Two years warranty

(Complete warranty available at www.aquabrain.com/warranty)





FEATURES

Round rail with adjustable sliding hook
 Push button 3 functions: rain, mist, jet
 5' to 6' expandable braided hose

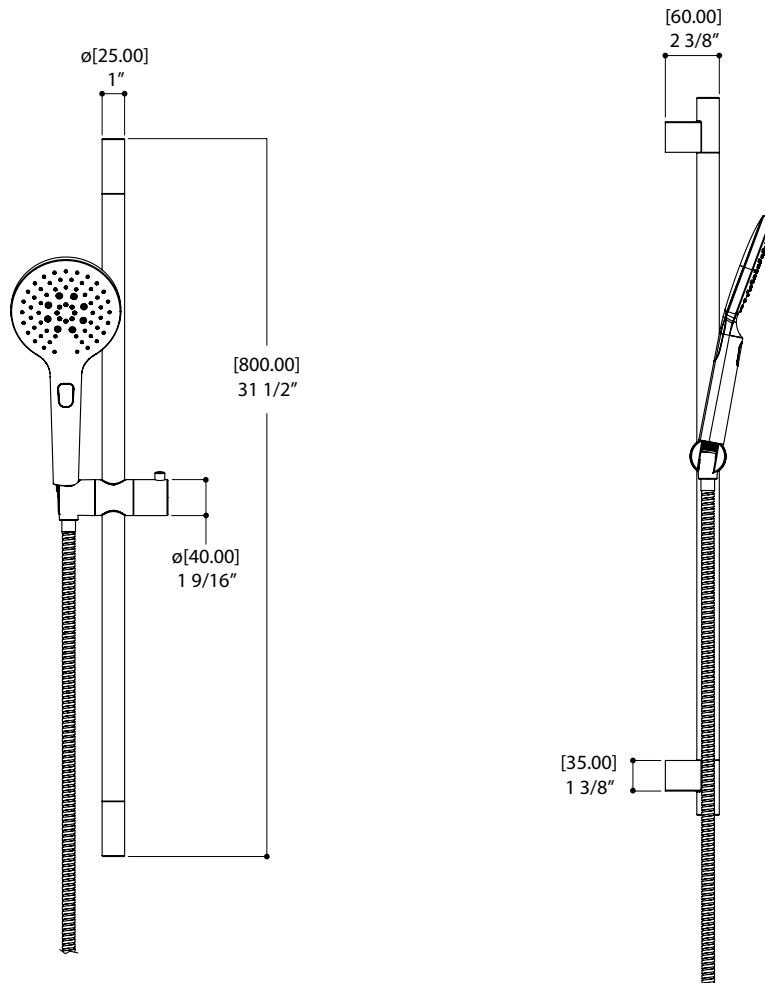
Flow rate: 2.5 gpm
 Height: 31 1/2"

FINISHES

Standard
 Polished chrome (pc)
 Brushed nickel (bn)
 Electro black (ebk)

WARRANTY

Residential: Limited lifetime warranty to original purchaser
 Commercial: Two years warranty
 (Complete warranty available at www.aquabress.com/warranty)





FEATURES

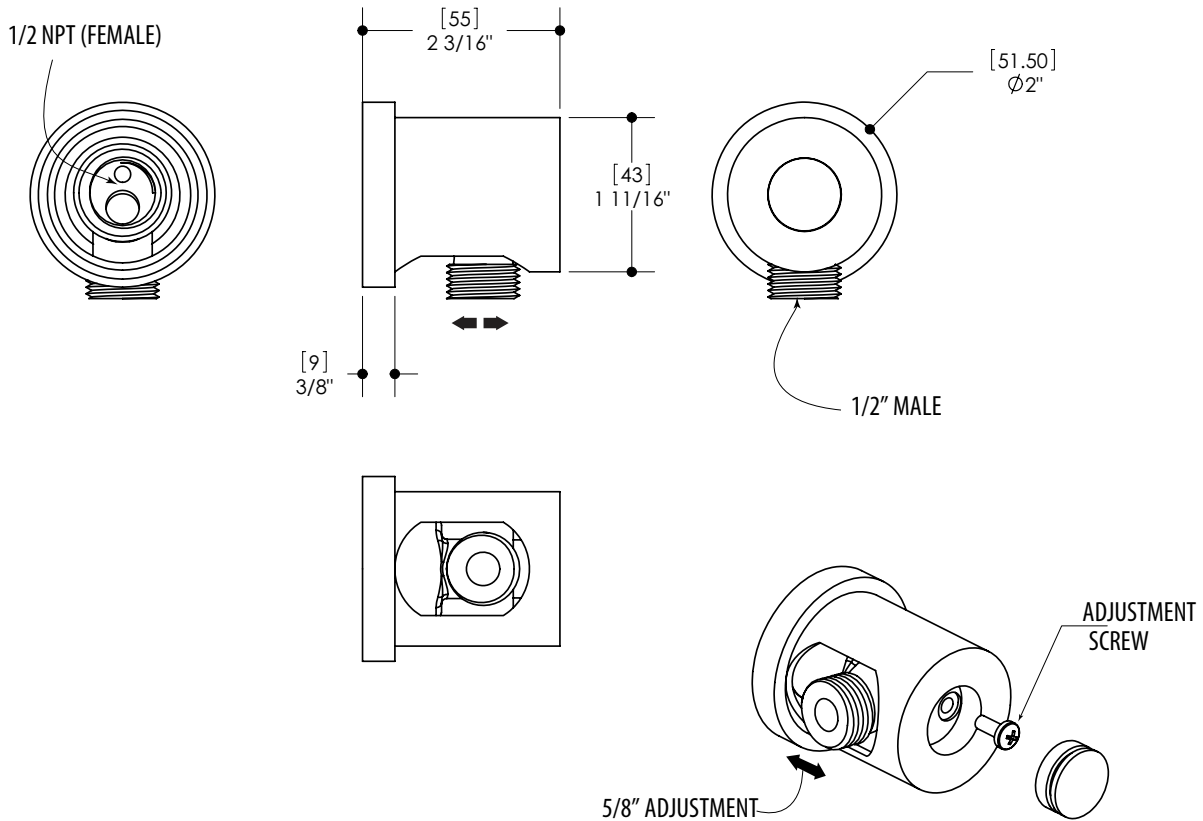
- Thermo insulation body
- 5/8" trim adjustment to elbow installation
- 1/2" NPT female connection

FINISHES

- Standard**
- Polished chrome (pc)
 - Brushed nickel (bn)
- Custom**
- 15 Custom finishes available
 - (ask your local Aquabraxs authorized dealer for details)

WARRANTY

- Residential: Limited lifetime warranty to original purchaser
- Commercial: Two years warranty
- (Complete warranty available at www.aquabraxs.com/warranty)



EXPLOSION PARTS

