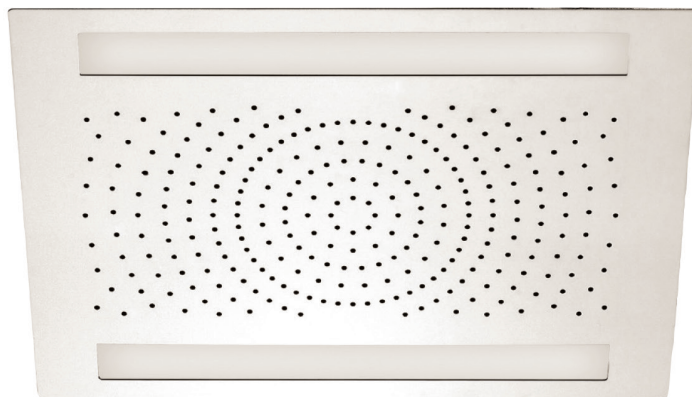
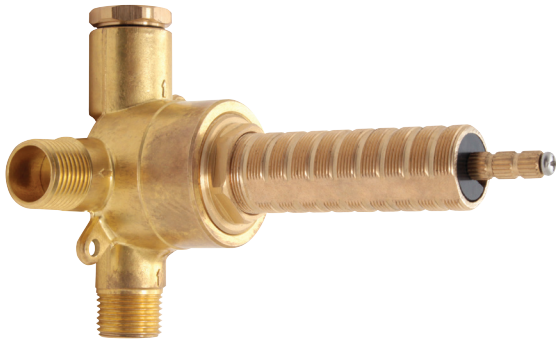


AQUABRASS

Shower Faucet Specifications SF-D-09 / SF-D-09G





FEATURES

Solid brass
 Four water inlets/outlets - NPT/sweat or PEX or Wirsbo
 Test cap
 Single diverter body for a 2- or 3-way diverter
 (shared and non-shared)
 Accommodates any wall thickness

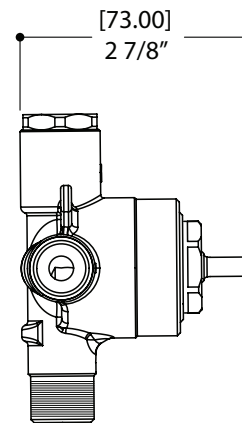
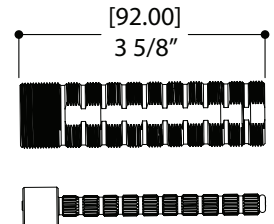
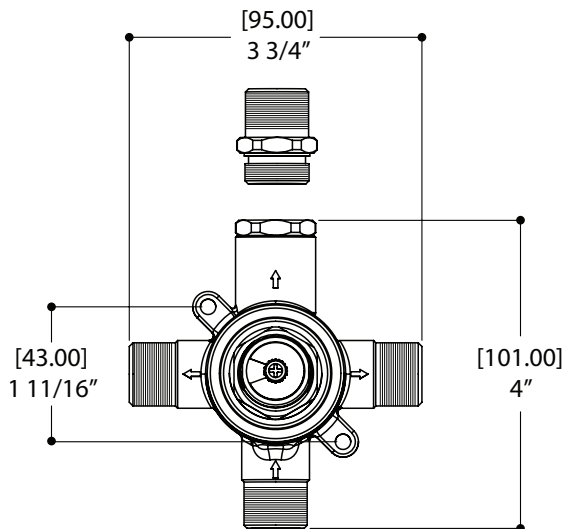
Choice of 2-way shared / non-shared 3-way shared /
 unshared cartridges with or without stops

Single outlet flow rate: 10gpm (38 L/min at 45PSI)
 Combine outlet flow rate: 12gpm (45 L/min at 45PSI)*

WARRANTY

Residential: Limited lifetime warranty to original purchaser
 Commercial: Two years warranty
 (Complete warranty available at www.aquabress.com/warranty)

CODE & COMPLIANCE



AQUABRASS

93921-93821-93931-93831

Trim set for independent diverter #61934

2-3 way shared functions and 2-3 way non-shared functions



FEATURES

Solid brass plate
Handle included
Diverter with stop

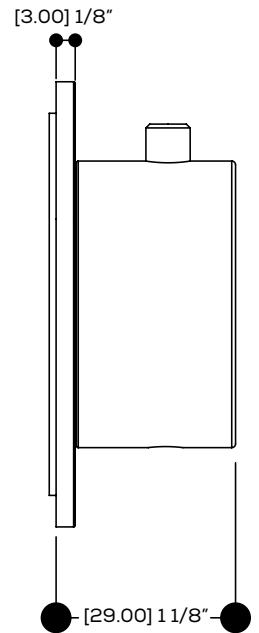
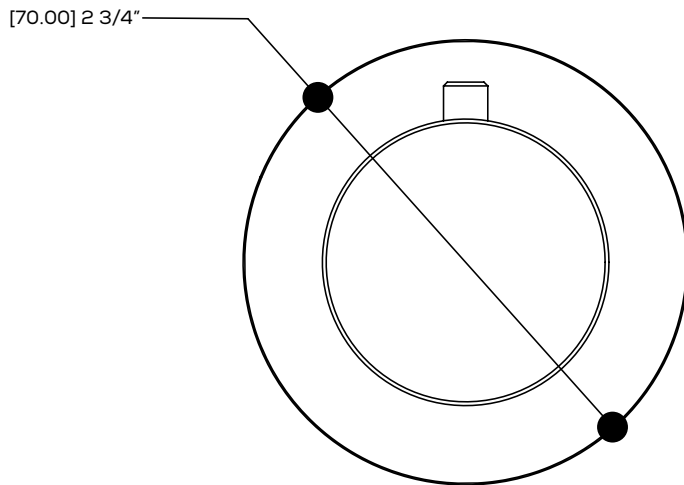
FINISHES

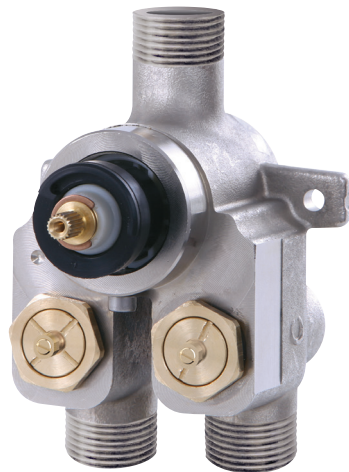
Standard
Polished chrome (pc)
Brushed nickel (bn)
Electro black (ebk)
Brushed gold (bgd)

Custom finishes available

WARRANTY

Residential: Limited lifetime warranty to original purchaser
Commercial: Two years warranty
(Complete warranty available at www.aquabrace.com/warranty)





FEATURES

High flow thermostat cartridge

Universal inlets for 3/4" and 1/2" connections (built-in female threads for 1/2" connections and male threads for 3/4" connections)

Reversible service check valves with filters and improved stop mechanism

Italian made nickel plated solid brass rough and Vernet thermostatic cartridge

Requires **#1206** shut-off valve or **#61934** independent diverter

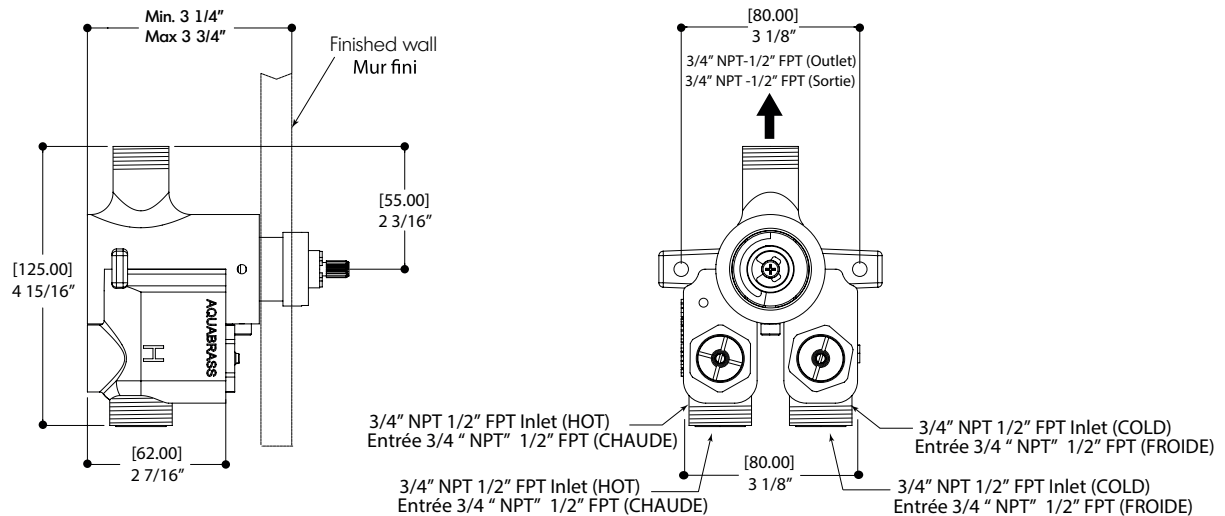
flow rate: 12 gpm at 45 psi

WARRANTY

Residential: Limited lifetime warranty to original purchaser

Commercial: Two years warranty

(Complete warranty available at www.aquabress.com/warranty)





FEATURES

Solid brass construction
 screwless decorative trim
 Thin contemporary style - 4 1/4" x 7 7/8" x 1/8"
 Decorative cylinder (x1) for thermo control included
 Handle included
 Fits 1/2" thermo valve 12000 - 3/4" thermo valve 3000

FINISHES

Standard

Polished chrome (pc)

Brushed nickel (bn)

Custom

15 custom finishes available

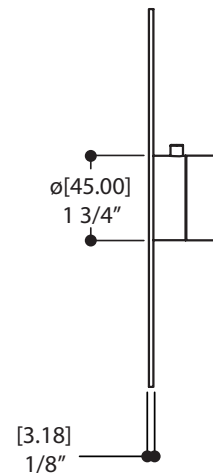
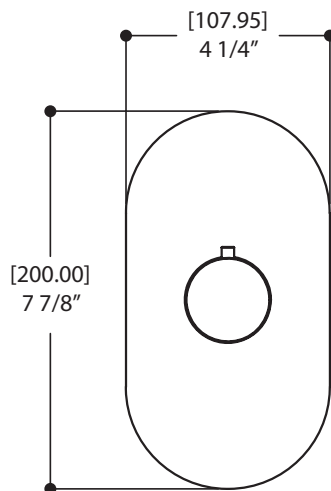
(ask your local Aquabass authorized dealer for details)

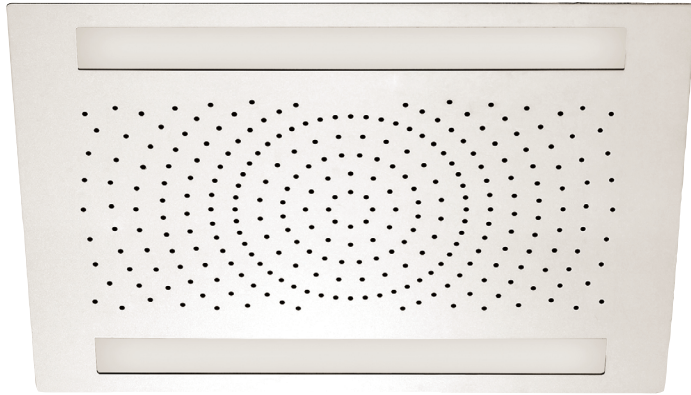
WARRANTY

Residential: Limited lifetime warranty to original purchaser

Commercial: Two years warranty

(Complete warranty available at www.aquabass.com/warranty)





waterproof wallmount remote control for chromatherapy

FEATURES

Stainless steel construction
 1 function: rain
 Chromatherapy - 7 colors with adjustable light speed
 1 shut-off valve required

Waterproof wallmount remote control for chromatherapy included

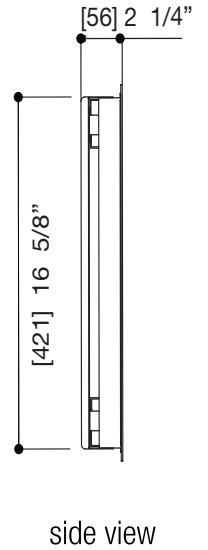
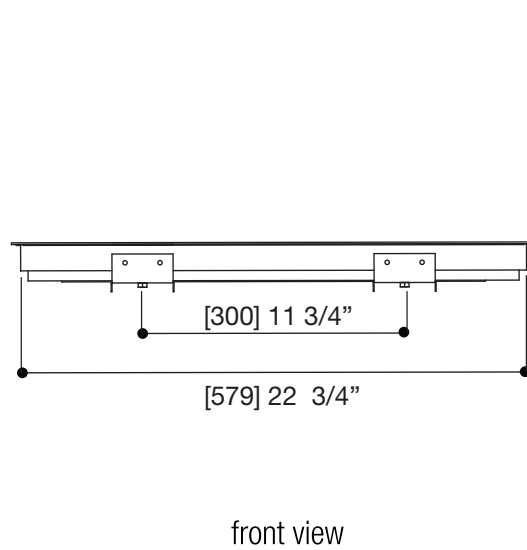
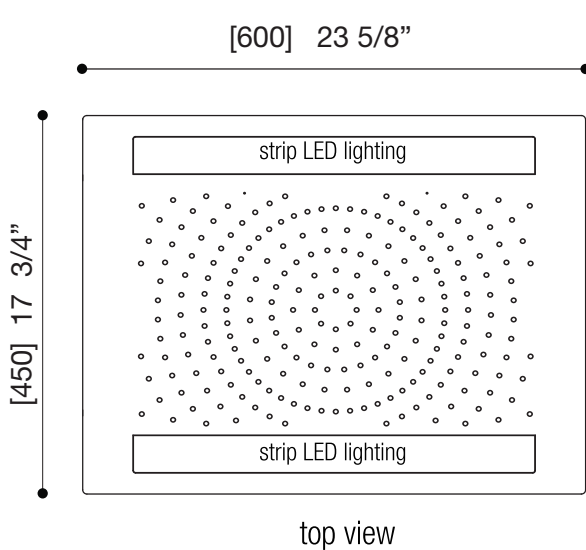
Flow rate: 2.5gpm

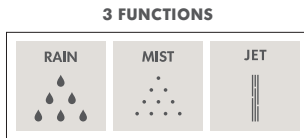
FINISH

Standard
 Polished stainless steel (pss)

WARRANTY

Residential / commercial: Two years warranty
 (Complete warranty available at www.aquabrace.com/warranty)





FEATURES

Round rail with adjustable sliding hook
 Push button 3 functions: rain, mist, jet
 5' to 6' expandable braided hose

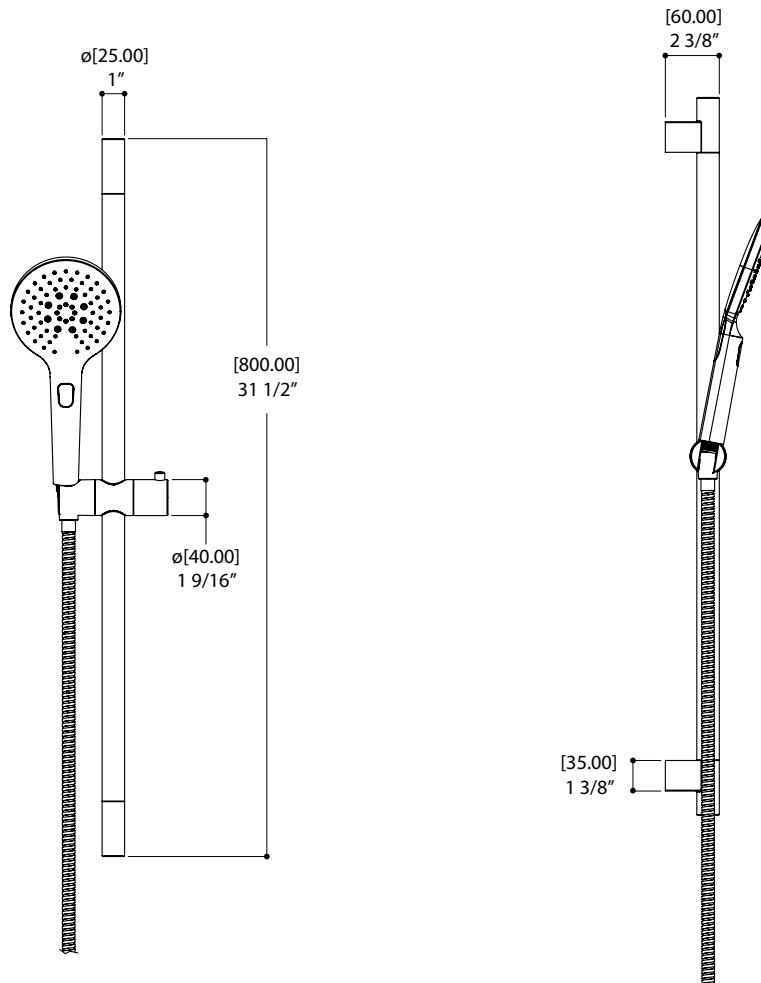
Flow rate: 2.5 gpm
 Height: 31 1/2"

FINISHES

Standard
 Polished chrome (pc)
 Brushed nickel (bn)
 Electro black (ebk)

WARRANTY

Residential: Limited lifetime warranty to original purchaser
 Commercial: Two years warranty
 (Complete warranty available at www.aquabrace.com/warranty)





FEATURES

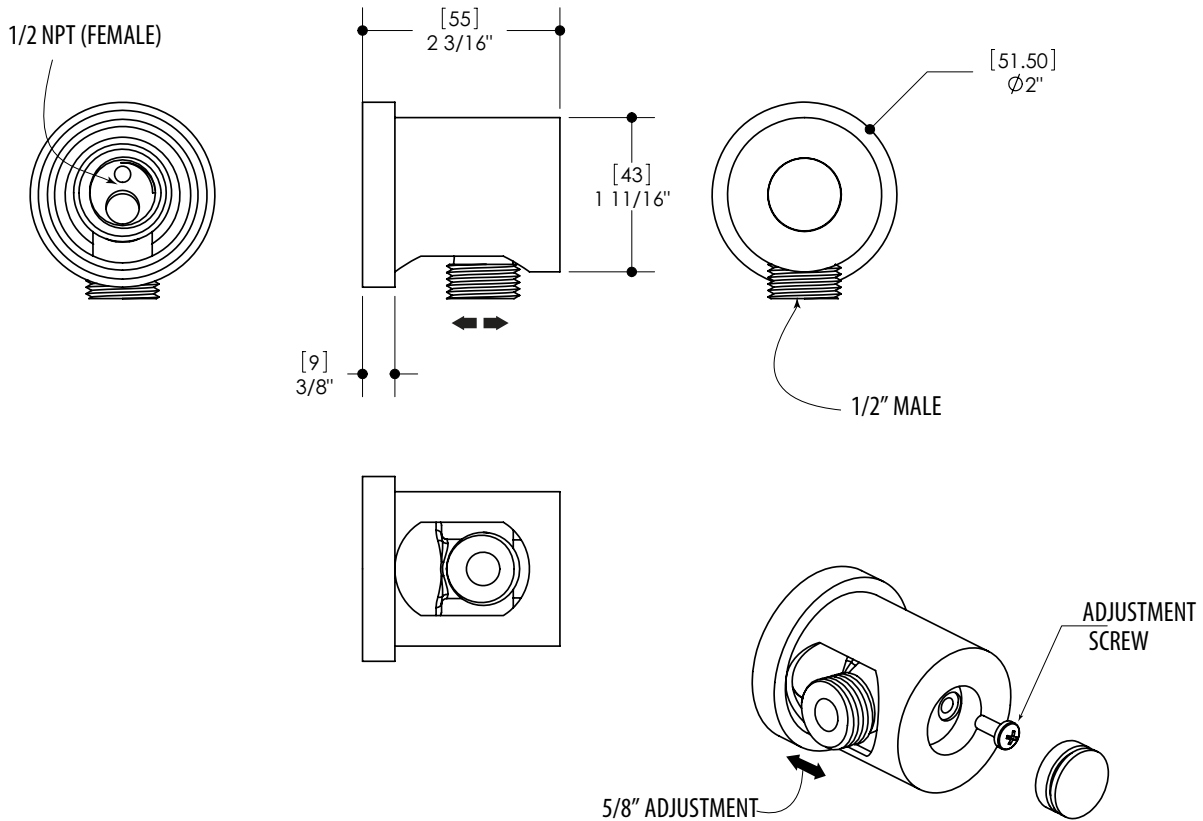
- Thermo insulation body
- 5/8" trim adjustment to elbow installation
- 1/2" NPT female connection

FINISHES

- Standard**
- Polished chrome (pc)
 - Brushed nickel (bn)
- Custom**
- 15 Custom finishes available
 - (ask your local Aquabrass authorized dealer for details)

WARRANTY

- Residential: Limited lifetime warranty to original purchaser
- Commercial: Two years warranty
- (Complete warranty available at www.aquabrass.com/warranty)



EXPLOSION PARTS

