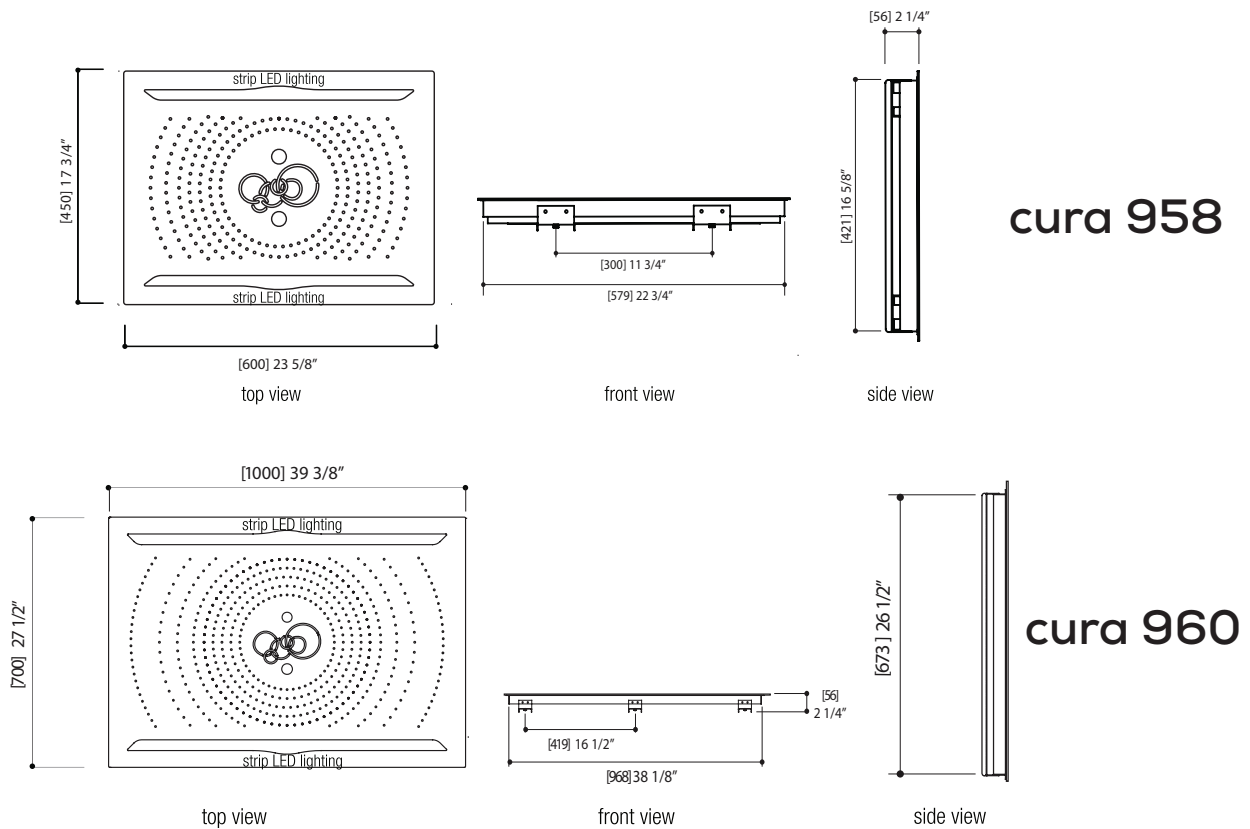


SPECIFICATION INSTALLATION GUIDE

CURA #958-960



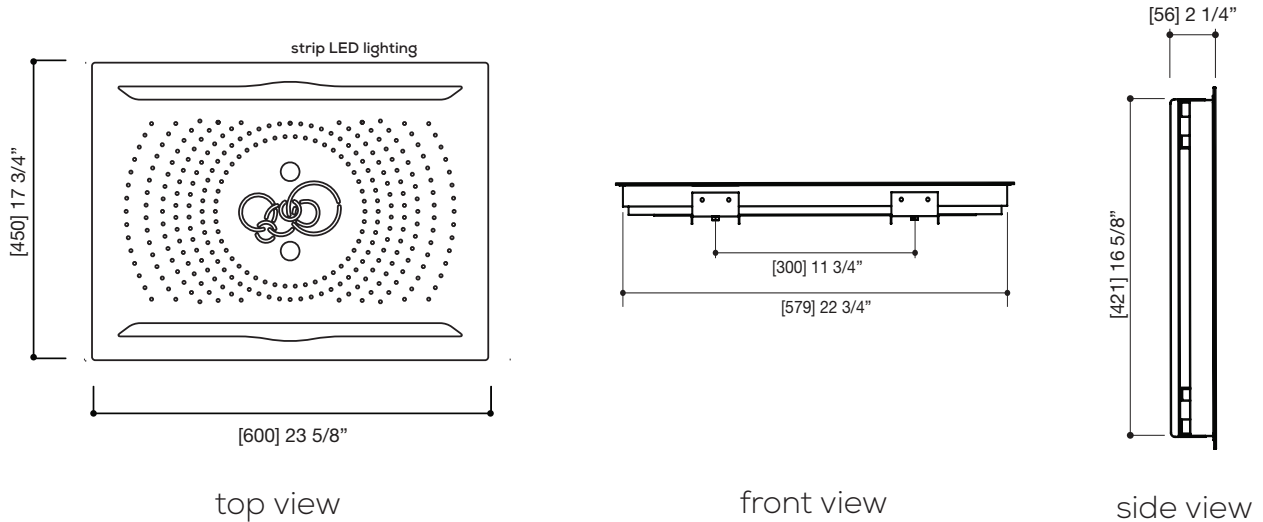
cura 958-960 general features



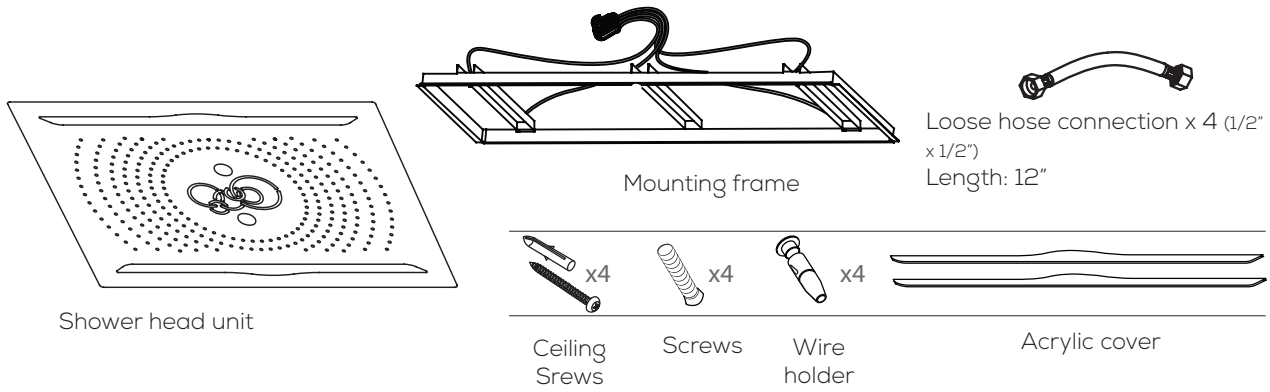
PLUMBING SPECIFICATIONS		CARACTERISTIQUES HYDRAULIQUES	
Finishing: steel	Polished stainless steel	Fini:	Acier inox poli
Connection:	1/2" hose connection	Connexion:	1/2" de raccord de tuyau
Flow rate: (Mist 0.75 gpm) (per circuit)	2.5 gpm at 45psi / 3 bars	Débit d'eau:(Brume 0.75 gpm) (par circuit)	2.5 gpm à 45psi / 3 bars
Operating pressure: (for greater pressures it is necessary to install a pressure reducing valve)	min 0,5 bar - max 5 bar	Pression d'exercice: (pour les pressions plus élevées, prévoir l'installation d'un réducteur de pression)	min 0,5 bar - max 5 bar
Aquabross thermo valve recommended:	Turbo-Totem	Thermo-valve Aquabross recommandée:	Turbo-Totem
Unit to be installed on:	3" minimum of soffit ceiling	Produit à installer à:	3" minimum de plafond suspendu
It is advisable to install a water filtration and softener system.		Il est recommandé d'installer un système de filtrage et d'adoucissement des eaux.	
ELECTRICAL SPECIFICATIONS		CARACTERISTIQUES ELECTRIQUES	
Chromatherapy (RGB):	7 colors (LED strips lighting)	Chromathérapie (RGB):	7 couleurs (bandes d'éclairage lumineux)
LED: (tal=15w)	each led: 0.23W (Total=15w)	LED: (Chacune led: 0.23W (Total=15W)	
Feed voltage:	12Vcc +/- 3%	Tension d'alimentation:	12 Vcc +/- 3%
AC:	100-240V, 50-60Hz	AC:	100-240V, 50-60Hz
Maximum input:	1,3 A	Absorption maximum:	1,3 A
Functioning:	Continual	Service de fonctionnement:	Continu
Room temperature for functioning: +40%C	from 0 to +40%C	Température ambiante de fonctionnement:	de 0 à +/- 40%C
Relative humidity without condensation: to 90%	5%	Humidité relative sans eau de condensation:	de 5% à 90%
Level of protection:	IP66	Degré de protection:	IP66
Entry and exit connection: terminal	Truck	Connexions d'entrée et de sortie:	Borne à chariot
Safety standards: required	Not	Consigne de sécurité: requise	Non
EMC Standard: EN55022/B		Norme EMC:	EN55022/B
Chromatherapy remote control (waterproof) with battery: included		Télécommande chromathérapie (waterproof) avec batterie: incluse	
Battery type for remote control:	CR2032	Type de pile pour la télécommande:	CR2032
Transformer UL: proved	ap-prouvé	Convertisseur UL: prouvé	ap-prouvé
To be connected to transformer:	120 Volt power supply	Pour être connecté au transformateur: alimentation à 120 Volt	
Verify your local city laws and regulations for transformer use in showers.		Vérifier les lois locales et les règles pour l'utilisation des transformateurs dans les douches.	

cura 958-960

specifications for cura 958

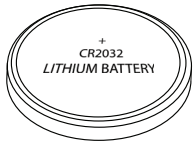


in the box



- Four spray function: rain, intense rain, mist, water column.
- Chromatherapy, RGB 7 colors, 2 strips LED lighting
- 1/2" hose connection

- Flow rate: 11 GPM at 45psi
- Finish: polished stainless steel



Change the remote battery using the spare-one provided

The original battery started its "life" at the factory when the remote was paired with the head. Its been losing power ever since and is now so weak the remote signal has become erratic

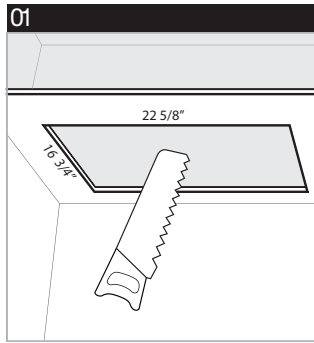
cura 958

Four spray functions: rain, intense rain, mist, water column

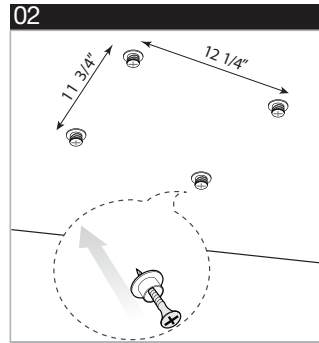
For optimum result, we recommend the following Aquabress thermostatic valve options: T-12004, T-12005, T-12000 with multiple 1206

NOTE: Mist function can be connected directly to cold or hot water. Ensure of the pre-selection of the water supply for the mist function before installation. (The mist temperature rapidly return to ambient levels).

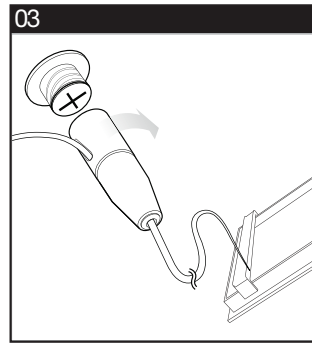
Installation guide for 958



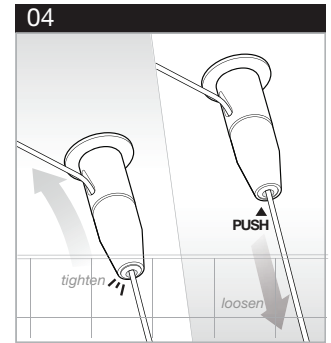
Cut the ceiling to install the mounting frame.
Cutting hole size: 22 5/8" x 16 3/4"
(575mm x 425mm)
NOTE: we recommend to install the rain head on the 4"(min.) soffit ceiling.



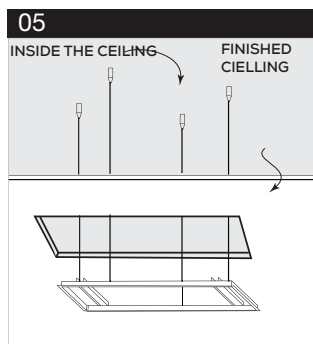
Locate the string hanger as shown and secure them with the supplied screws.
Distance : 11 3/4" x 12 1/4"
(300mm x 312mm)



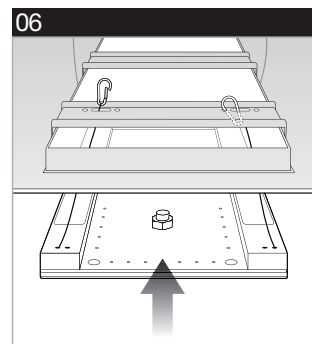
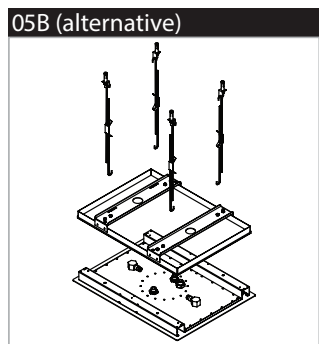
Fasten string hanger to the cap.



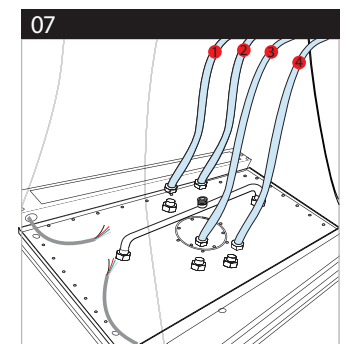
Adjust the lengths of strings.



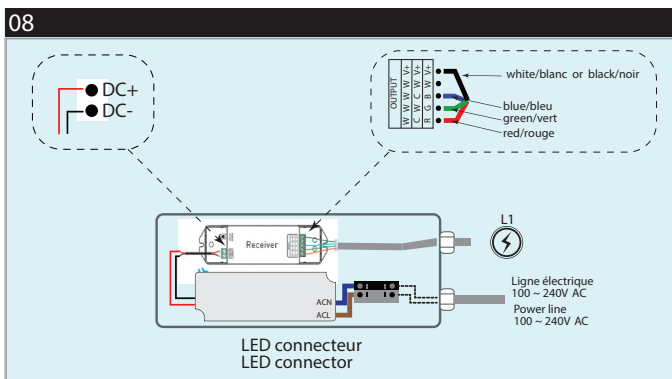
Attach the frame to the ceiling and pull on the strings to make the mounting frame fall flush with the finished ceiling.



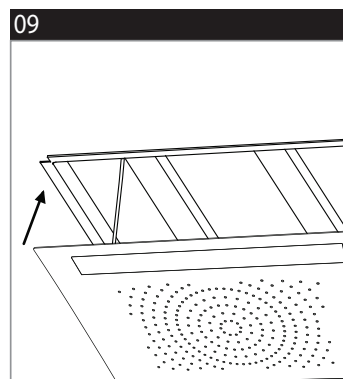
Hang the shower head to the frame. This is very convenient for installation of the hoses and wire as well as servicing.



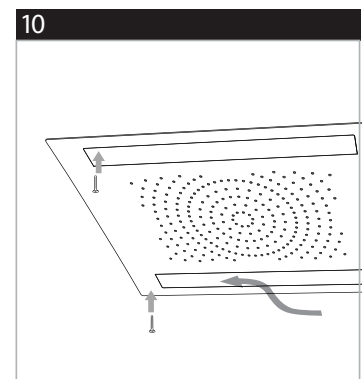
- 1 Water column 2 Rain
- 3 Intense Rain 4 Mist



For the light connection, connect together the appropriate wire of each strip light (white, red, green & black) and insert each of them into the connector as shown. Tighten the screws to secure the connection. For the power connection, insert the 2 wires to the power connector and tighten the screws.



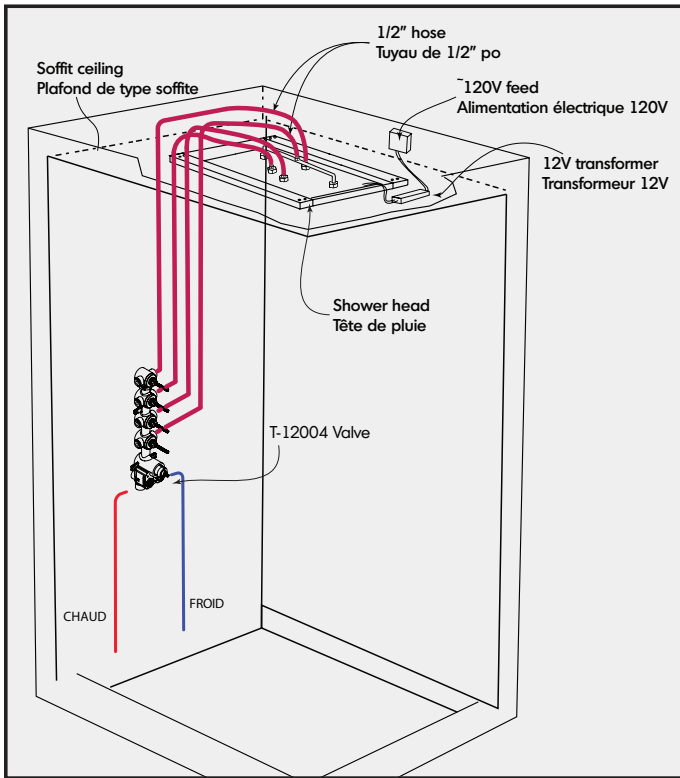
Insert the rainhead to the mounting frame.



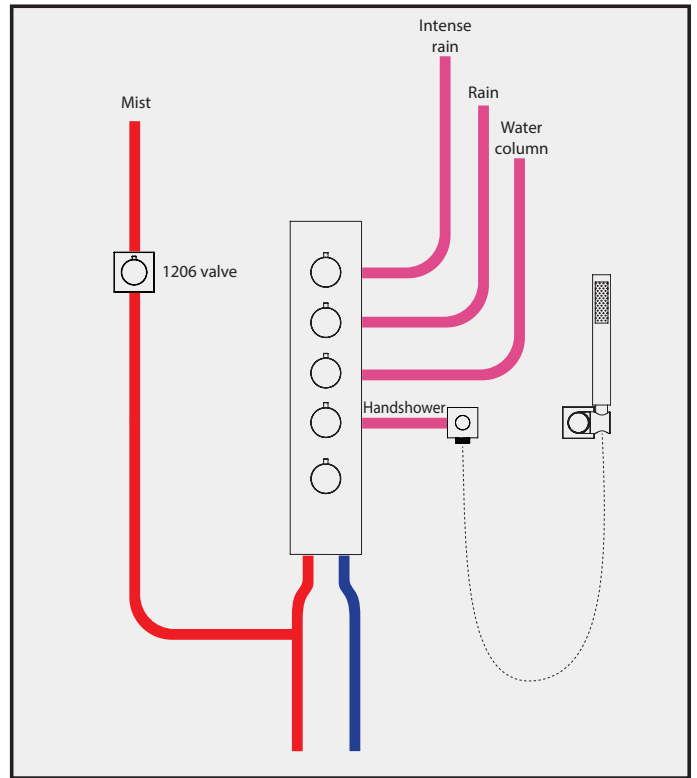
Secure the rainhead with supplied screws and place the 2 acrylic covers into the rainhead to complete the installation (remove the protective film prior to installing the covers).

Remote control function: Page 9

Example of configuration

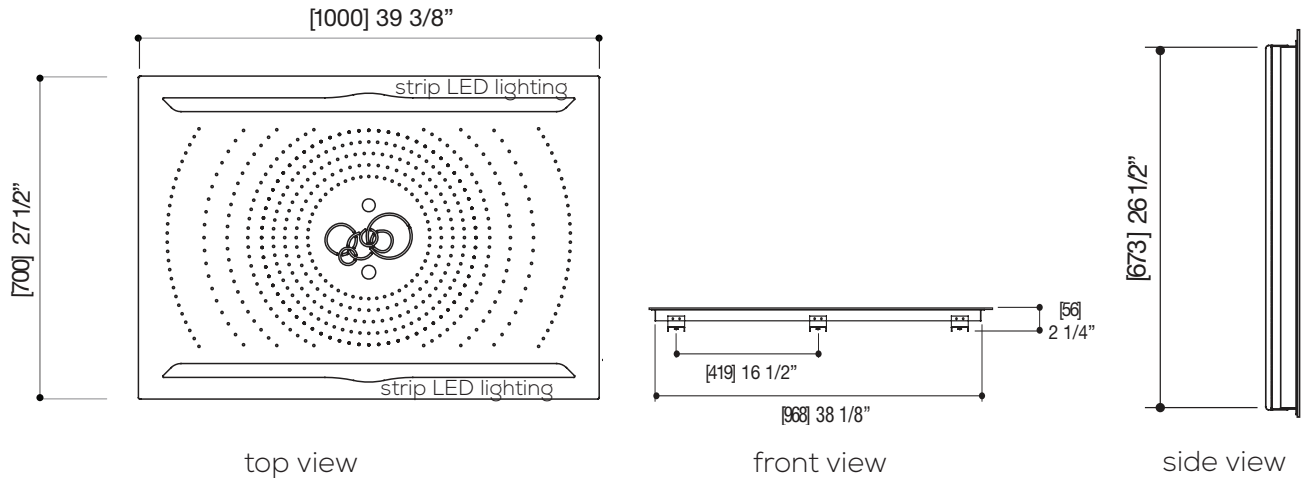


Alternate configuration

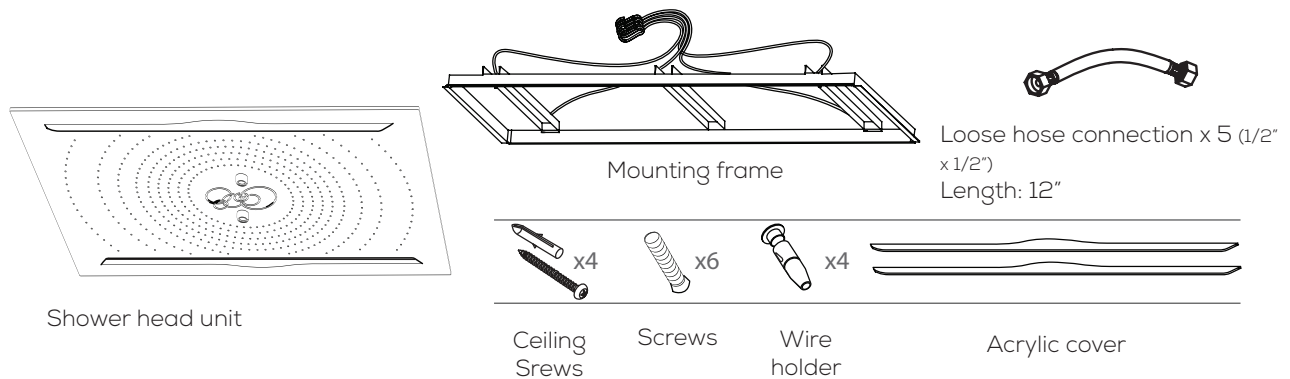


cura 958-960

specifications for 960



in the box



- Five spray function: Mist, curtain, laminar column, central rain, overall rain
- Chromotherapy, RGB 7 colors, 2 strips LED lighting
- 1/2" hose connection

- Flow rate: 12 GPM at 45psi
- Finish: polished stainless steel



Change the remote battery using the spare-one provided

The original battery started its "life" at the factory when the remote was paired with the head. Its been losing power ever since and is now so weak the remote signal has become erratic

cura 960

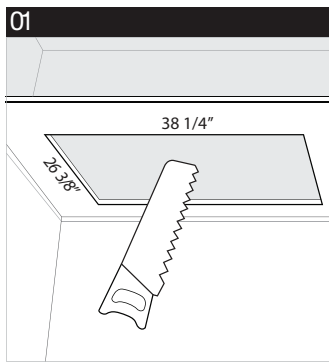
Five spray functions: mist, curtain, laminar column, central rain, overall rain

For optimum result, we recommend the following Aquabraxs thermostatic valve option: T-12005, T-12000+ multiple1206

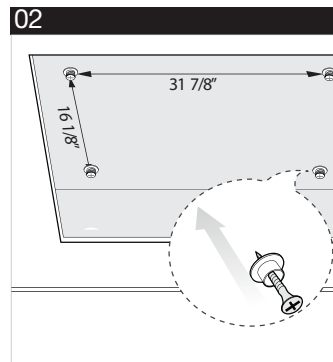
- Connection of the Cura 960 with the Aquabraxs thermostatic valve #T-12005 (see configuration sample)

NOTE: Mist function can be connected directly to cold or hot water. Ensure of the pre-selection of the water supply for the mist function before installation.(The mist temperature rapidly return to ambient levels).

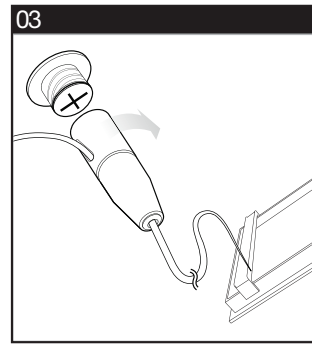
Installation guide for cura 960



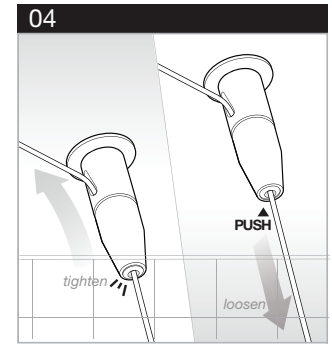
01
Cut the ceiling to install the mounting frame.
Cutting hole size:
38 1/4" x 26 3/8"
(980mm x 680mm)
NOTE: we recommend to install the rain head on the 4"(min.)soffit ceiling



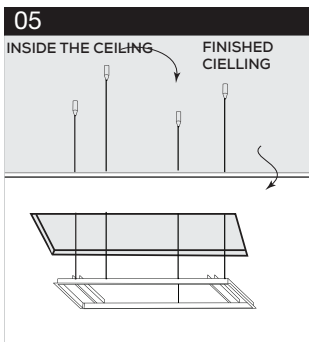
02
Locate the string hanger with as shown and secure them with the supplied screws.
Distance : 22 1/8" x 33"
(562mm x 838mm)



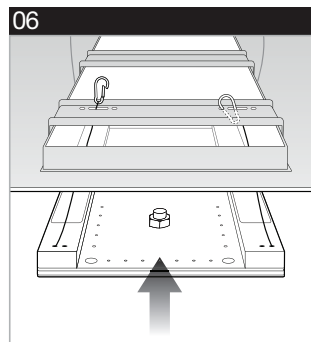
03
Fasten string hanger to the cap



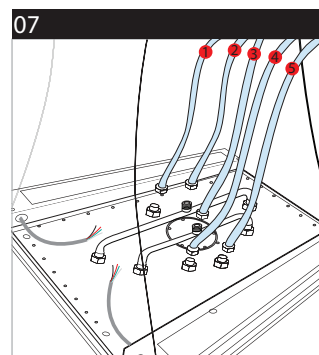
04
Adjust the lengths of string



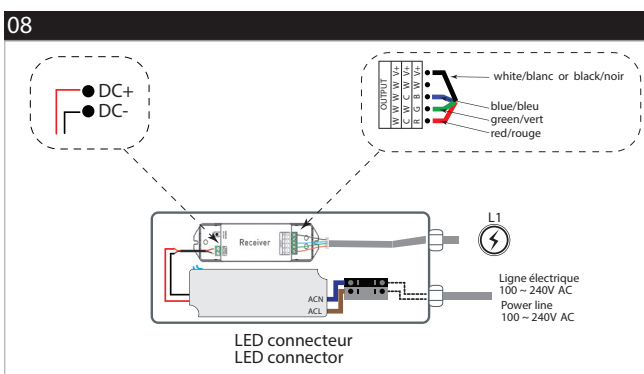
05
Attach the frame to the ceiling and pull on the string to make the mounting frame fall flush with the finished ceiling



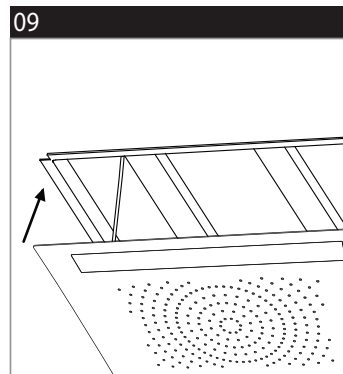
06
Hang the shower head to the frame. This is very convenient for installation of the hoses and wire as well as servicing



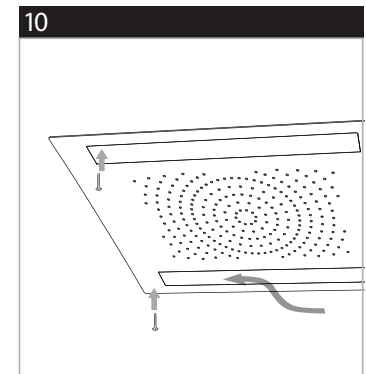
- 1 Water column
- 2 Water curtain
- 3 Intense rain
- 4 Rain center
- 5 Mist



08
For the light connection, connect together the appropriate wire of each strip light (white, red, green & black) and insert each of them into the connector as shown. Tighten the screws to secure the connection. For the power connection, insert the 2 wires to the power connector and tighten the screws.



09
Insert the rainhead to the mounting frame.

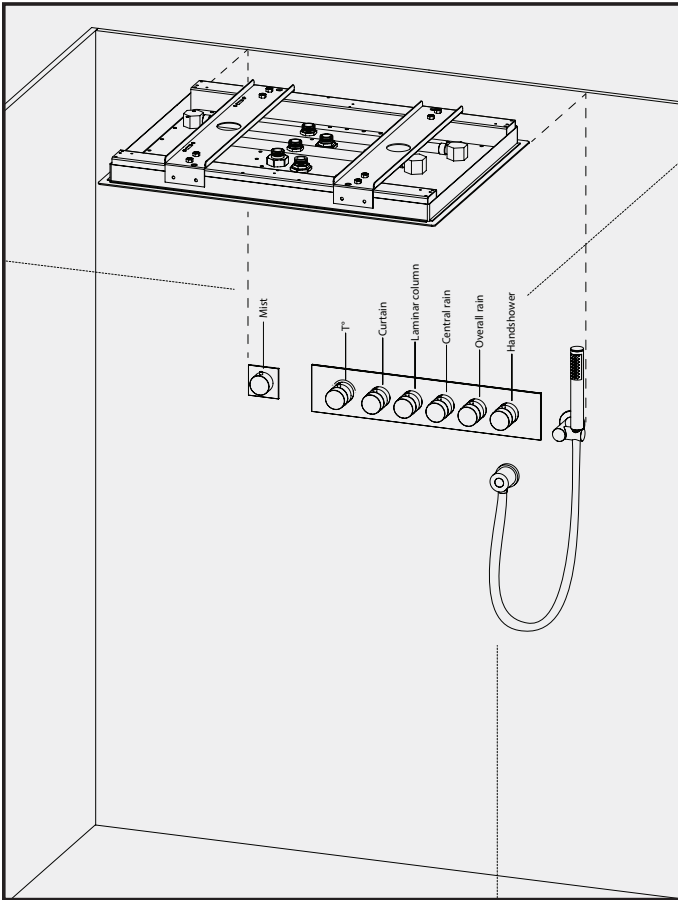


10
-+++

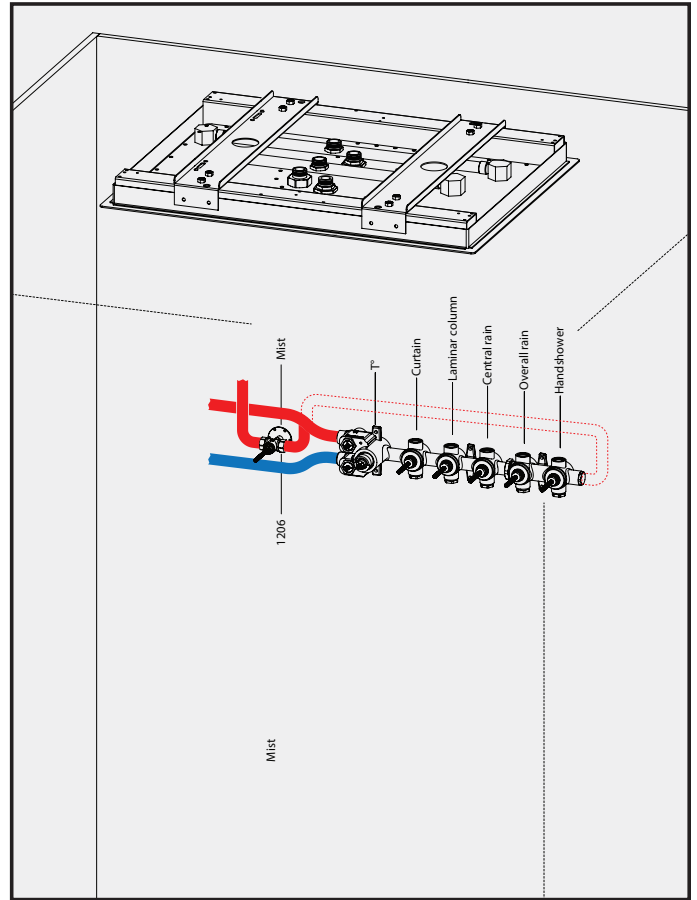
Remote control function: Page 9

cura 960

Example of configuration



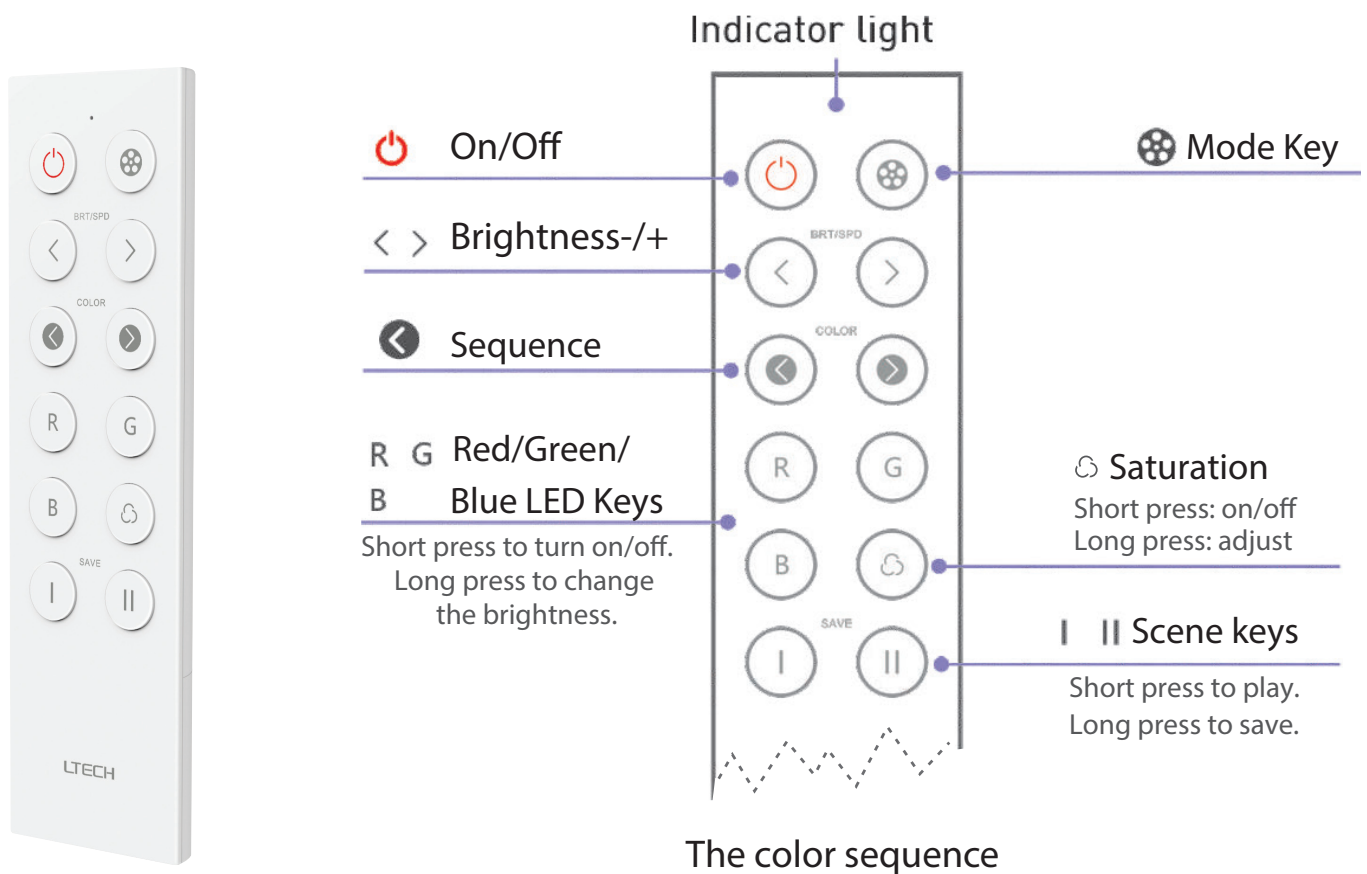
2 possible "Mist" connections



cura 958-960 remote control

CURA model # 958-960 offer the chromatherapy system, a form of healing known for its ability to improve one's mood and overall health.

Operation Instructions for Remote:



The color sequence

1. Static Red
2. Static Green
3. Static Blue
4. Static Yellow
5. Static Purple

(for more information see page.14)

F3

2.4G LED RGB Controller

LTECH

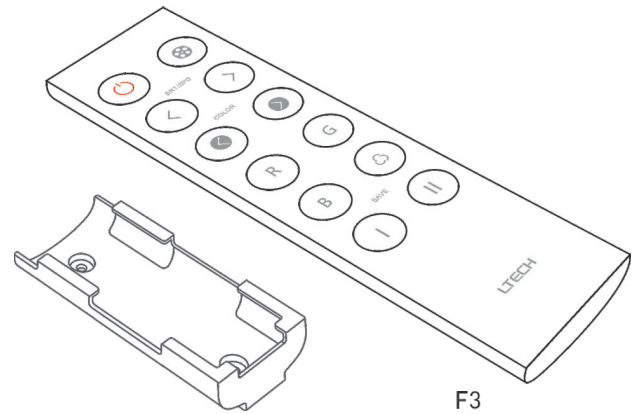
RGB



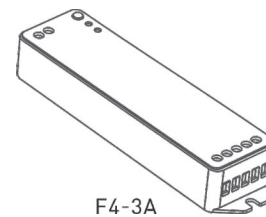
Main Characteristics

F3 RF RGB Remote Control

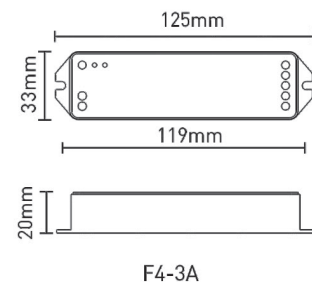
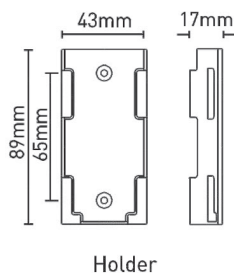
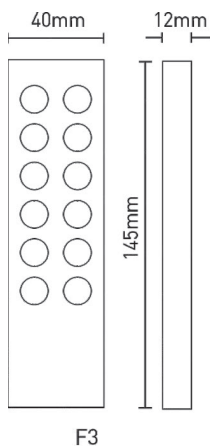
Remote Option / Couleur:	RGB
Working Voltage / Voltage en fonctionnement:	3Vdc (Battery CR2032)
Wireless Frequency / Fréquence sans fil:	2.4GHz
Working Temperature / Température de fonctionnement:	-30°C ~ 55°C
Package Size / Dimension:	L150xW46xH18(mm)
Weight / Poids:	85g



Input Voltage / Tension d'entrée:	5 ~ 24Vdc
Max Current Load / Puissance utilisée:	3A x 4CH Max. 12A
Max Output power /Max puissance sortie:	60W/144W/288W (5V/12V/24V)
Working Temperature / Température de fonctionnement:	-30°C ~ 55°C
Package Size / Dimension:	L127xW35xH24(mm)
Weight / Poids:	60g



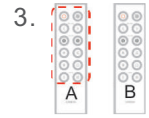
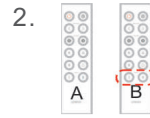
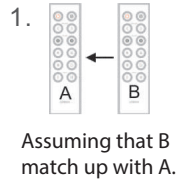
Dimensions



The "LTECH" system can support additional controls and can pilot additional LED strip

Match/Clear code between remotes

Match code:

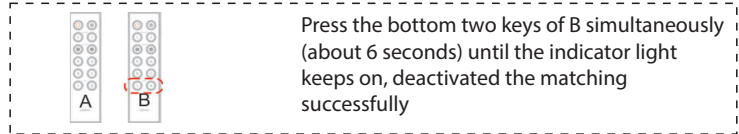


Assuming that B match up with A.

Short press the bottom two keys of B simultaneously, the indicator light keeps on after release

Then press any key on A in 5 seconds. When the indicator light of B turns off match successfully

Clear code:

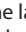


Match/Clear code between remote and receiver

Match code:

Method 1:

Step 1. Power on the receiver, and complete step 2 in 10 seconds

Step 2. Long press  on the remote, the lamps flicker several times, the buzzer beep once, match successfully



Clear code:


Method 1:

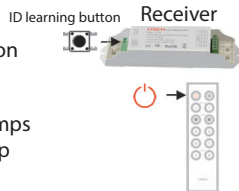
Power on and off the receiver continuously for 5 times, If the buzzer long beep and lamps flicker twice, deactivate the matching successfully



Method 2:

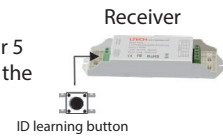
Step 1. Short press the ID learning button on the receiver, the buzzer beep once.

Step 2. Long press  on the remote, the lamps flicker several times, the buzzer beep once, match successfully

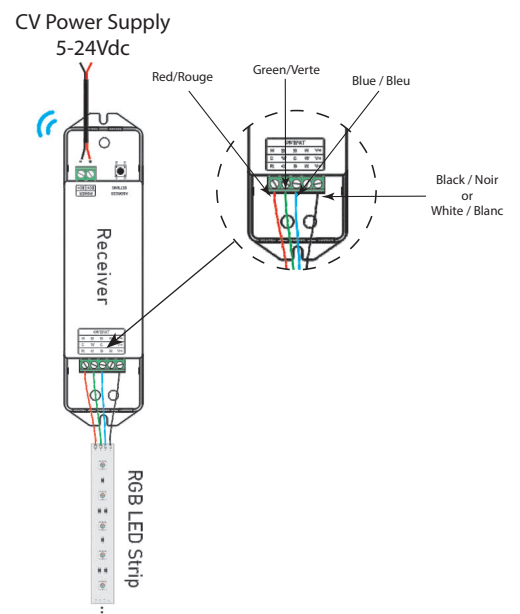
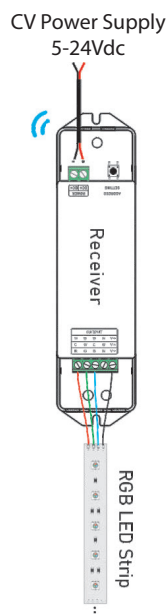
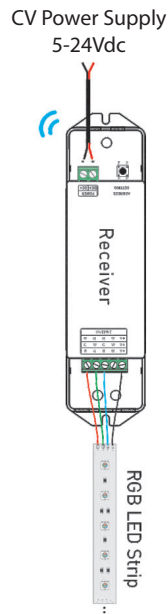


Method 2:

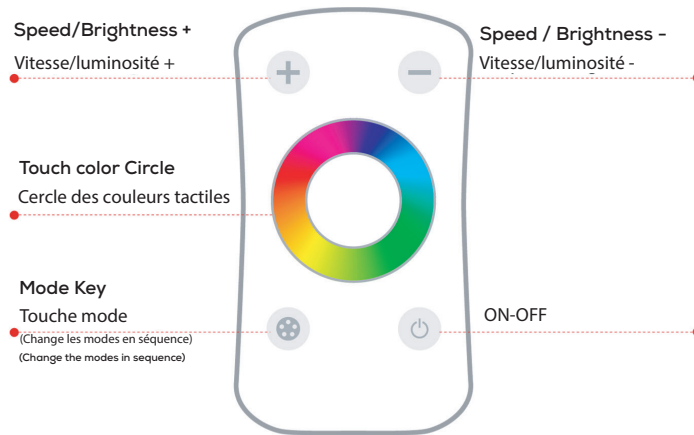
Long press "ID learning button" on receiver for 5 seconds, if the lamps flicker twice, deactivate the matching successfully



Wiring Diagram:



<p>A remote control for :</p> <ul style="list-style-type: none"> - Activate the chromatherapy system - 7 healing colors to choose form - Color rotation available - Control of the color and the rotation speed <p>Remote control can also be wallmounted, allowing to place it whereverit best fits</p>	<p>-</p> <p>Press - to activate color rotation. Press multiple times to slow down rotation.</p>	<p>+</p> <p>Press - to activate color rotation. Press multiple times to slow down rotation.</p>
--	---	---



<p>Une télécommande pour :</p> <ul style="list-style-type: none"> - Activer le système de chromathérapie - 7 couleurs apaisantes à choisir - Rotation des couleurs disponibles - Contrôle des couleurs et de la vitesse de rotation <p>La télécommande peut aussi être accroché au mur, en fonction du meilleur emplacement</p>	<p>-</p> <p>Appuyer - pour activer la rotation des couleurs. Appuyer plusieurs fois pour ralentir la rotation.</p>	<p>+</p> <p>Appuyer + pour activer la rotation des couleurs. Appuyer plusieurs fois pour accélérer la rotation.</p>
---	--	---

AQUABRASS

Care


To clean your Aquabrace faucets or accessories, wash with a wet nonabrasive soapy cloth. Then wipe dry with a soft towel or cloth.

DO NOT USE ANY ABRASIVE, CHEMICAL OR CORROSIVE, POWDER OR ANY OTHER STRONG CLEANERS INCLUDING DETERGENTS, WINDOW CLEANERS AND DISINFECTANTS ON YOUR Aquabrace PRODUCT as they will destroy the finish and therefore VOID THE WARRANTY.

Ask your plumbing retailer about our PROTECTANT-CLEANER now available from Aquabrace. This product is specially manufactured to clean and polish leaving a protective coating to maintain your product's shine and finish.

Maintaining and cleaning recessed showerheads

It is highly recommended to use a standard squeegee on a routine basis to keep your showerhead functioning with optimal performance. The squeegee is used to efficiently "shake" every silicon injector nipple and dislodge any possible calcium or debris accumulation. It is a necessary step to keep the injectors shooting straight and free from any build-up or debris. Simply running the squeegee in different directions with water turned on or off will keep the showerhead operating at peak performance. Water quality can vary in different demographic regions in which people live, this process may need to be performed more often in some areas than others.

 **Failure to maintain the nozzle flowing at their full capacity will result in structural damage and possible leaks which will NOT be covered by the warranty.**

The metal used for our recessed showerheads depends on the model, they can be constructed of either stainless steel (polished or brushed) or chrome plated (or other specialty finish) brass. Stainless steel and chrome are quite resistant to standard cleaning solutions used in the bathroom, however consult your local Aquabrace dealer should you have a specialty custom finish for suggested product usage. Never spray cleaning agents directly on the fixture. Apply them to a soft cloth or microfiber towel and wipe to a shine.



Entretien


Pour nettoyer et conserver l'apparence de vos robinets ou accessoires Aquabrace, lavez-les avec un linge mouillé à l'eau tiède et enduit d'un savon doux non-abrasif. Puis essuyer avec un linge doux et sec.

NE JAMAIS UTILISER DE PRODUITS ABRASIFS, CHIMIQUES, CORROSIFS, INCLUANT DE TRÈS FORTS DÉTERGENTS, LIQUIDE OU EN POUDRE, NETTOYANTS POUR VITRES ET DÉSINFECTANTS sur votre produit Aquabrace. Cela pourrait détériorer le fini et ANULER LA GARANTIE.

Demander à votre détaillant le PROTECTEUR NETTOYANT Aquabrace spécialement conçu pour nettoyer, faire briller et protéger en laissant un mince film protecteur sur vos robinets et vos articles décoratifs.

Nettoyage et entretien des douches encastrées

Il est fortement recommandé d'utiliser régulièrement un lave-vitre standard pour garder un fonctionnement optimal de la tête de douche. Le lave-vitre est utilisé pour "remuer" efficacement chaque embout de projection en silicone et enlever autant que possible l'accumulation de débris et de calcaire. Cette étape est nécessaire pour assurer l'élimination des débris et assurer une coulée linéaire. Faire simplement tourner le lave vitre dans des directions différentes avec l'eau éteinte ou en marche permettra de restaurer les jets. La qualité de l'eau peut varier en fonction des régions, ce processus doit être fait plus souvent à certains en-

 **L'entretien périodique des buses est requis afin de toujours assurer leur plein débit sans quoi des dommages structurels et d'éventuelles fuites en résulteront qui ne seront PAS couvert par la garantie.**

Le métal utilisé pour la tête de douche encastrée dépend du modèle, il peut être fabriqué en acier inoxydable (poli ou brossé) ou en chrome plaqué (ou autres finis spéciaux). L'acier inoxydable et le chrome sont assez résistants aux produits de nettoyage de salle de bain, cependant, ne pas hésiter à consulter un agent Aquabrace qui vous conseillera sur le produit à utiliser en fonction du fini spécial. Ne jamais vaporiser le produit d'entretien directement sur la fixation. Les appliquer avec un chiffon doux ou une serviette en microfibre et essuyer pour que ça brille.

AQUABRASS

WARRANTY

Aquabross offers a lifetime warranty against defects in materials and workmanship under normal conditions of use, care and maintenance of the product(s), for as long as the original purchaser owns their home. The warranty applies only when the product is purchased from an authorized Aquabross dealer. It is not transferable and is limited to products sold and installed in Canada and the United States.

OUR WARRANTIES FOR RESIDENTIAL APPLICATIONS

- Limited lifetime warranty for ceramic disc cartridges.
- Five (5) year warranty for all other cartridges (thermostatic cartridges, diverters, check stop mechanisms etc.).
- Limited lifetime warranty for the polished chrome, electro black, stainless steel and PVD finishes.
- Three (3) year warranty for all other finishes.
- Two (2) year warranty for electronic faucets and components (batteries are not covered by our warranty).
- Five (5) year warranty for all other Aquabross product(s) and parts.

OUR WARRANTY FOR COMMERCIAL / INDUSTRIAL APPLICATIONS

- All Aquabross products and parts will be warranted for two (2) years.

OUR WARRANTY ON FINISHES

Polished chrome, electro black, stainless steel and PVD finishes carry a limited lifetime warranty against defects. All other Aquabross finishes are warranted for three (3) years. Finishes on drains are not covered by the warranty, nor the normal wear of any finish. Normal wear and tear is the expected decline in the condition of a product/finish due to normal everyday use. We highly recommend you carefully read the care and maintenance detailed instructions or visit our website aquabross.com/aquabross-finishes.

OUR COMMITMENT

We will repair or replace, free of charge, during the applicable warranty periods listed above, any product, part or finish that is proven defective in material and/or workmanship under normal installation, condition of use, care and maintenance of the product(s). Replacement parts for discontinued products will be made available, under warranty or not, until stock lasts. Under the period(s) of the warranty listed above, if the required replacement product, part or finish is no longer available, an equivalence will be recommended and provided, free of charge.

OUR WARRANTY EXCLUSIONS

- Damage caused by inadequate installation, misuse, lack of care and maintenance of the product(s).
- Surface damage caused from using abrasive products, such as detergents.
- Corrosion resulting from exposition to chemically reactive products, such as Chlorine.
- Damage caused by hard water, calcareous deposits or sediments.
- Damage or loss occurred by a natural calamity such as fire, earthquake, flood, thunder, electrical storm.
- The installation of any Aquabross products by a non-accredited professional.
-

Any labor or shipping charges, or damages whatsoever incurred in whole or in part from installation, removal, re-installation, repair or replacement of any Aquabross product or part, as well as any incidental or consequential damages, expenses, losses, direct or indirect, arising from any cause whatsoever.

OUR WARRANTY CLAIM PROCESS

To exercise our warranty, a proof of purchase – such as a copy of invoice – must be made available to our distribution center. Depending on the complexity of the defective product, an inspection can be required prior to approving the warranty claim.

North American Distribution Center (Canada & USA):

AD-WATERS

Technical Service Center
9805 Clark street
Montréal, Québec H3L 2R5

1 888 239-9336
tech@ad-waters.com

For international requests: communications@aquabross.com

Aquabross reserves the right to make product specification changes without notice or obligation and to change or discontinue certain models

AQUABRASS

GARANTIE

Aquabross offre une garantie à vie contre les défauts de matériel et de main d'œuvre dans des conditions normales d'utilisation et d'entretien du produit, et ce tant que l'acheteur d'origine est propriétaire de sa maison. La garantie est applicable seulement si le produit est acheté chez un détaillant Aquabross dûment autorisé. Elle n'est pas transférable et est limitée aux produits vendus et installés au Canada et aux États-Unis.

NOTRE GARANTIE POUR DES APPLICATIONS RÉSIDENTIELLES

- Garantie limitée à vie pour les cartouches en céramique.
- Garantie de cinq (5) ans pour tous les autres types de cartouches (cartouches thermostatiques, déviateur, valves d'arrêt, etc.).
- Garantie limitée à vie pour les finis suivants: chrome poli, electro black, acier inoxydable et PVD.
- Garantie de trois (3) ans pour tous les autres finis.
- Garantie de deux (2) ans pour la robinetterie électronique et ses composants (les piles ne sont pas couvertes par notre garantie).
- Garantie de cinq (5) ans pour tous les autres produits ou pièces Aquabross.

NOTRE GARANTIE POUR DES APPLICATIONS COMMERCIALES ET INDUSTRIELLES

- Tous les produits et pièces Aquabross sont garantis pour une durée de deux (2) ans.

NOTRE GARANTIE SUR LES FINIS

Les finis chrome poli, electro black, acier inoxydable et PVD ont une garantie limitée à vie contre les défauts. Tous les autres finis sont garantis trois (3) ans. Les finis appliqués sur les drains et l'usure normale d'un fini ne sont pas couverts par cette garantie. L'usure normale est la détérioration naturelle d'un produit résultant de son utilisation au fil du temps. Il est fortement recommandé de lire attentivement les instructions sur l'entretien des produits et des finis Aquabross ou de consulter le site aquabross.com/fr/finitions-personnalisees.

NOTRE ENGAGEMENT

Nous nous engageons à réparer ou à remplacer sans frais pendant les périodes de garantie applicables listées, tout produit, pièce ou fini s'avérant défectueux d'un vice de matériel ou de fabrication dans des conditions normales d'utilisation et d'entretien. Les pièces de remplacement pour des produits discontinués, sous garantie ou non, seront disponibles et ce jusqu'à épuisement des stocks. Pendant les périodes de garantie applicables, si le produit, la pièce ou le fini requis ne sont plus disponibles, une équivalence sera suggérée et fournie sans frais.

NOS EXCLUSIONS DE GARANTIE

- Les dommages causés par une erreur d'installation, de négligence et d'un mauvais usage de produit.
- Les dommages de surface causés par l'utilisation de produits abrasifs, comme des détergents.
- La corrosion résultant d'une exposition d'un produit chimiquement réactif, comme le chlore.
- Les dommages causés par l'eau dure, les dépôts de calcaire ou les sédiments.
- Les dommages ou les pertes résultant d'une catastrophe naturelle telle qu'un feu, un tremblement de terre, le tonnerre, un orage électrique etc.
- L'installation de tout produit Aquabross par un professionnel non-agréé.

Tout frais de main d'œuvre ou de transport, ou dommages causés en totalité ou en partie lors de l'installation du produit, de son retrait, de sa réinstallation, de sa réparation, ainsi que tout dommage occasionnel ou consécutif, dépense, perte directe ou indirecte, provenant de quelque cause que ce soit.

COMMENT EXERCER NOTRE GARANTIE

Pour toute demande de garantie, une preuve d'achat (copie de la facture) doit être envoyée à notre centre de distribution. La complexité du défaut du produit pourrait entraîner une inspection avant l'approbation de la réclamation de la garantie.

Centre de distribution pour l'Amérique du Nord (Canada et É.U.):

AD-WATERS
Centre de service technique
9805 rue Clark
Montréal, Québec H3L 2R5

1 888 239-9336
tech@ad-waters.com

Pour les demandes internationales: communications@aquabross.com

Aquabross se réserve le droit de modifier des caractéristiques de ses produits sans avis ni obligation ainsi que de remplacer ou de retirer certains modèles.

AQUABRASS

ABOUT

CARE & MAINTENANCE

Do not allow water residues to come into prolonged contact with the surface finish. After each use, gently dry the product surface with a clean soft cloth to prevent water-spotting and mineral build-up. Water stains and accumulation of minerals weaken the protective coating, eventually leading to peel off.

Clean the surface regularly using a pH neutral clear liquid soap, water and a soft cloth. Rinse away any traces of soap and gently dry with a soft clean cloth. Occasional application of Flitz Faucet Wax Plus is also recommended. The application of this wax based product leaves a protective layer that repels water, thereby providing extra protection against tarnishing.

Avoid abrasive and harsh cleaning products (detergents, caustic, acidic, antibacterial, ammonia- or bleach-containing products, organic solvents, lime scale and clog removers, brass and silver cleaners, etc.). The use of these products can damage the finish and will void the warranty. We recommend covering the fixture with a towel when using any of the listed products in order to prevent damage by splashing.

Residues left by personal products such as soap, toothpaste and shampoo can damage the finish. Always rinse these residues away with clean water and wipe dry.

Due to the characteristics of the Aquabrace custom finishes and their appropriate maintenance durability dependency, the warranty for custom finish products is three (3) years. There are no returns on custom finish products.



OPTIONAL LOW FLOW AERATORS

Adjustments for specific restrictions can be made on most of our lavatory bathroom faucets in order to coordinate with regional flow rate allowances. A low flow restrictor is sold at \$10 per unit. Please contact your local Aquabrace representative for additional details.

PRODUCT CERTIFICATION

Complying with North American plumbing standards and guaranteeing environmental products of the highest quality is our top priority.



AQUABRASS

AUTRES INFORMATIONS

ENTRETIEN

Ne pas laisser d'eau en contact prolongé avec la finition de surface du produit. Après chaque usage, sécher délicatement la surface du produit avec un linge doux afin de prévenir la formation de taches d'eau et d'accumulation de minéraux. Les taches d'eau et l'accumulation de minéraux affaiblissent la couche protectrice, ce qui peut entraîner l'écaillage de cette dernière.

Nettoyer régulièrement à l'aide d'un nettoyant liquide transparent au pH neutre, d'eau et d'un linge doux. L'application occasionnelle d'une cire de type Flitz Faucet Wax Plus est également recommandée. L'application de ce produit à base de cire laisse une fine couche protectrice repoussant l'eau et offrant ainsi une protection supplémentaire contre le ternissement.

Éviter l'usage de produits abrasifs et agressifs (détergents, caustiques, acides, antibactériens, contenant de l'ammoniaque ou un blanchissant, solvants organiques, anti-calcaires, de type Drano, d'entretien du laiton et de l'argent, etc.). L'utilisation de ces produits peut endommager le fini et annulera la garantie. Nous recommandons de recouvrir le produit d'une serviette lorsque vous faites usage de l'un des produits mentionnés afin de le protéger contre les éclaboussures qui pourraient l'endommager.

Les résidus provenant de produits d'hygiène personnelle tels que le savon, le dentifrice et le shampoing peuvent endommager le fini. Nettoyer ces résidus en tout temps avec de l'eau propre, puis sécher.

En raison de la nature des finis sur mesure d'Aquabrace et de l'importance de les entretenir de manière appropriée, la garantie couvrant les finis sur mesure est de trois (3) ans. Aucun retour n'est accepté pour les finis sur mesure.



AÉRATEURS À DÉBIT RÉDUIT OPTIONNELS

La plupart de nos robinets de lavabo peuvent être munis d'aérateurs spécifiques afin de satisfaire certaines restrictions régionales. Un aérateur à débit réduit coûte 10 \$ l'unité. Veuillez contacter votre représentant régional Aquabrace pour plus d'information.

CERTIFICATION DES PRODUITS

Répondre aux normes nord-américaines de plomberie et certifier des produits écologiques de qualité supérieure est notre priorité.

