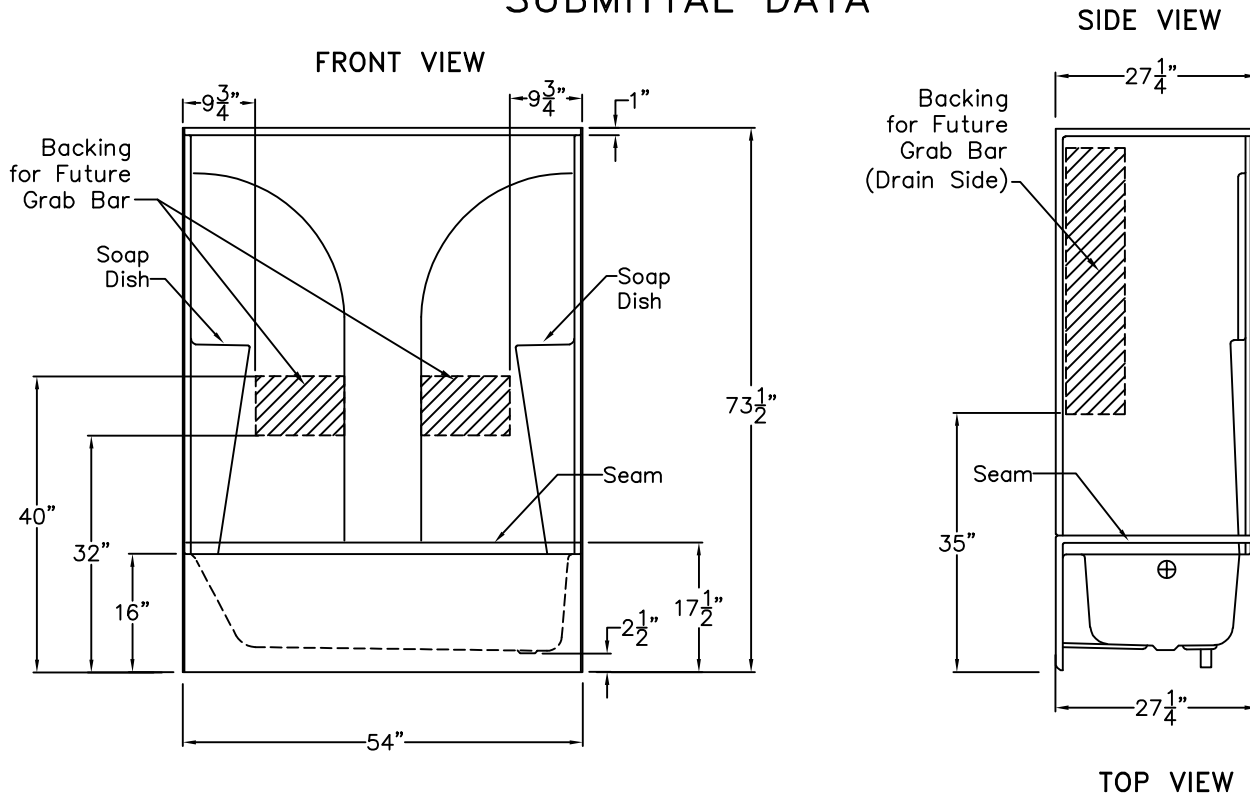


Luxury Acrylic Series

SUBMITTAL DATA



Sectional Tub Shower

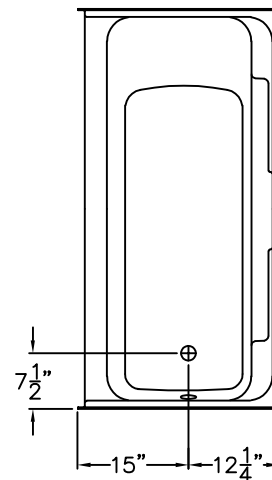
This shower enclosure shall be Choose Home Model CHG 5494 TS 2P right, or left. Finished surface shall be of sanitary-grade applied acrylic. The unit shall have outside dimensions of 54" x 27 1/4" x 73 1/2". The unit shall meet IAPMO Z124-2011, and CSA B45.5-11.

The enclosure shall be equipped with the following factory installed accessories:

- 1) Reinforced backing on the back wall for future horizontal grab bar,
- 2) Reinforced backing on the drain end wall for future vertical grab bar (bars by others),
- 3) Molded corner soap ledges,
- 4) Two piece sectional design,
- 5) Molded feature lines on the back wall.

Available options:

- 1) Hand held shower set (includes: swivel connector, 60" flex hose, 30" slide bar, brass nipple, locknut, wall brackets, and shower outlet),
- 2) Pressure balance valve,
- 3) Green anti-bacterial shower curtain with hooks,
- 5) White weighted shower curtain with hooks,
- 6) Drain,
- 7) Grab bars.



DUE TO THE NATURE OF THE MATERIALS DIMENSIONS MAY VARY ± 1/2"

Job Name:

PRAXIS

Approved by Print Name:

Drawing#: CHG 5494 TS 2P FBP

Approved by Signature:

Date:

Date: 1-27-00

Revised: 4-5-17

Rep.:

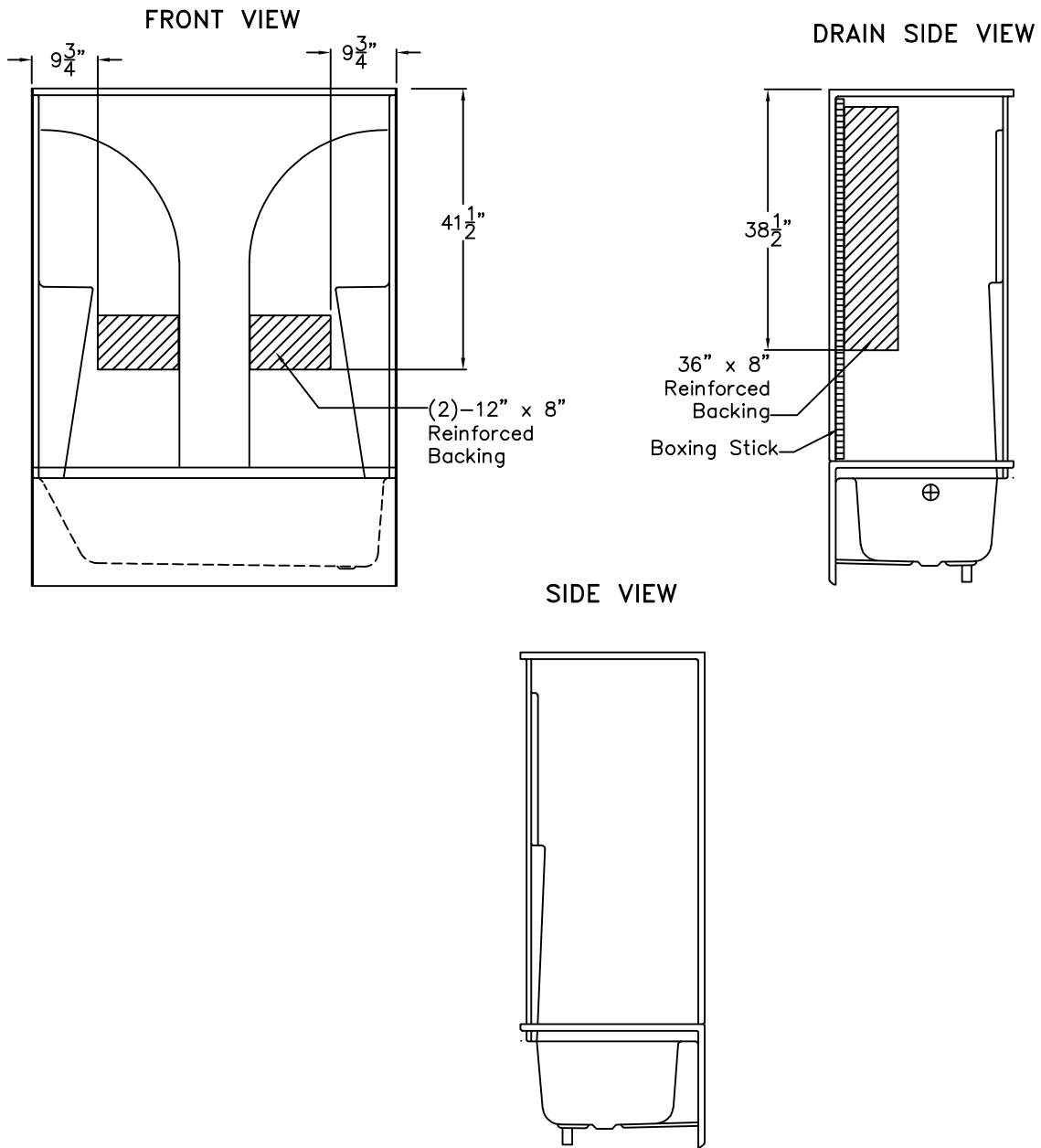
Wholesaler:

Quote No.:

PRAXIS INDUSTRIES, INC.
 ROUTE 1, BOX 46D - SAVANNAH, TN 38372
 1 (800) 443-7269 - FAX (901) 925-4290

Backing Placement Drawing

SUBMITTAL DATA



DUE TO THE NATURE OF THE MATERIALS
DIMENSIONS MAY VARY \pm 1/2"

Job Name:

PRAXIS

Approved by Print Name:

Drawing#: CHG 5494 TS 2P FBP-BP

Approved by Signature:

Date:

Date: 1-27-00

Revised: 4-5-17

Rep.:

Wholesaler:

Quote No.:

PRAXIS INDUSTRIES, INC.
ROUTE 1, BOX 46D - SAVANNAH, TN 38372
1 (800) 443-7269 - FAX (901) 925-4290