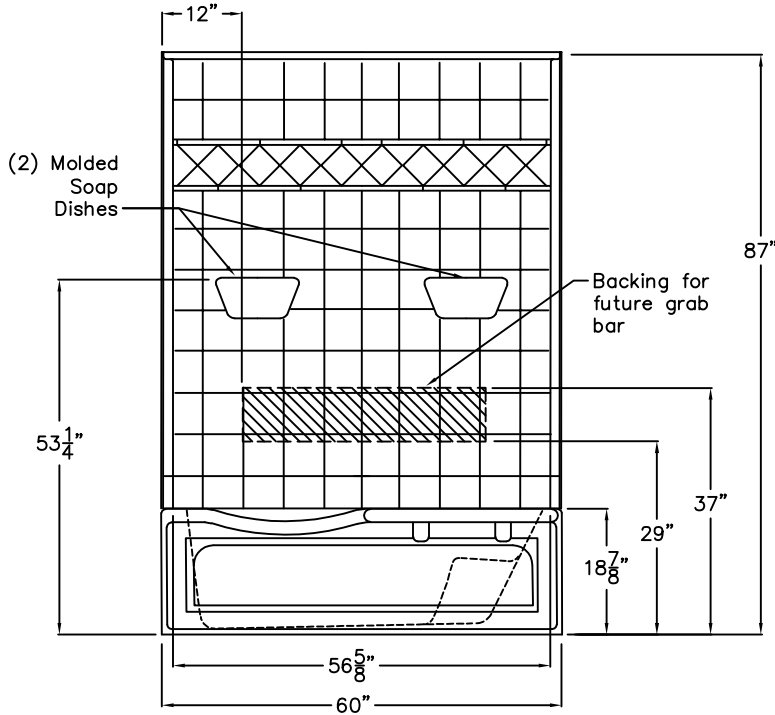


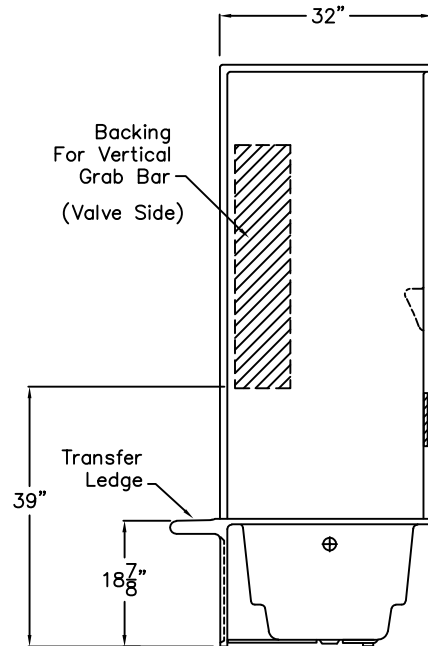
# Luxury Acrylic Series

## SUBMITTAL DATA

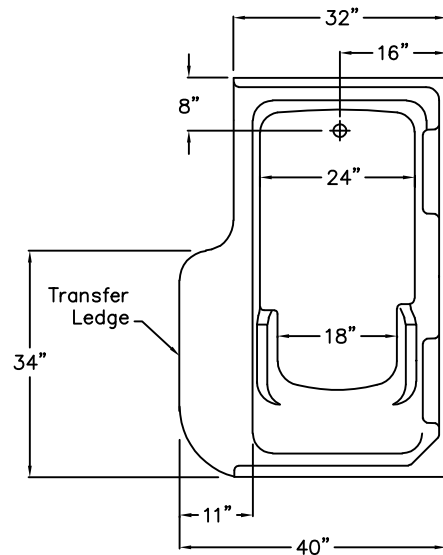
FRONT VIEW



SIDE VIEW



TOP VIEW



### Acrylic Tub With Adaptable Walls

This shower enclosure shall be Choose Home model G 6034 TS left or right drain. Tub finished surface shall be of sanitary-grade cast acrylic. Wall surround finish is a sanitary grade applied acrylic or solid surface. The unit shall have outside dimensions of 60" x 32" x 87". The unit shall meet IAPMO Z124-2011, and CSA B45.5-11.

The enclosure shall be equipped with the following factory installed accessories:

- 1) Molded soap dishes on the back wall,
- 2) Reinforced backing for future horizontal grab bar on the back wall and vertical grab bar on the valve wall, (bars by others,
- 3) Tile pattern on the walls,
- 4) End drain location.

DUE TO THE NATURE OF THE MATERIALS  
DIMENSIONS MAY VARY ± 1/2"

Job Name:

**PRAXIS**

Approved by Print Name:

Drawing#: CHA 6034 TS FBP

Approved by Signature:

Date:

Date: 1-29-08.

Revised: 4-5-17

Rep.:

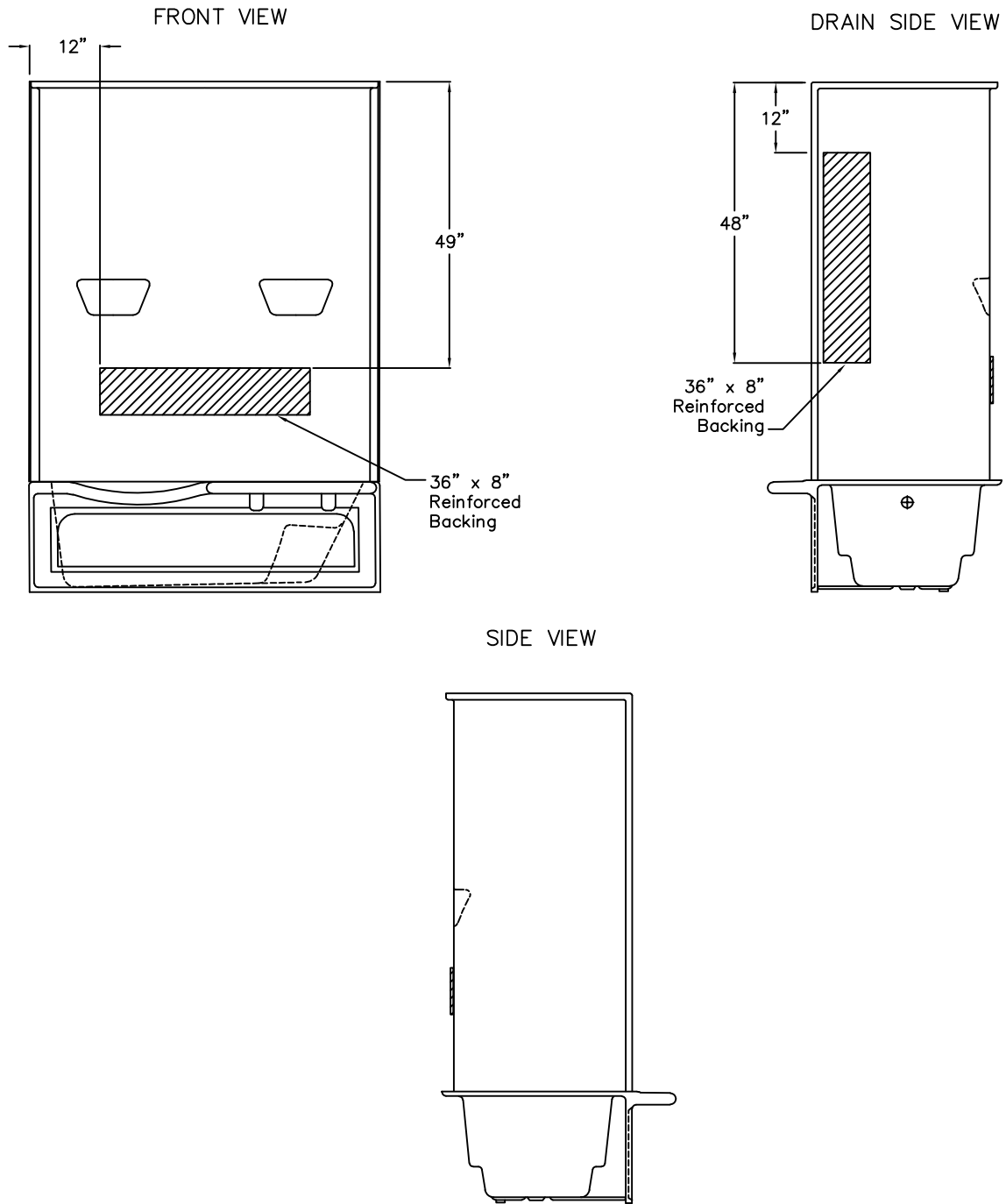
Wholesaler:

Quote No.:

PRAXIS INDUSTRIES, LLC.  
435 INDUSTRIAL RD - SAVANNAH, TN 38372  
1 (800) 443-7269 - FAX (731) 925-4290

# Backing Placement Drawing

SUBMITTAL DATA © 2001



Job Name:	PRAXIS	
Approved by Print Name:	Drawing#: CHA 6034 TS FBP-BP	
Approved by Signature:	Date:	Date: 1-29-08      Revised: 4-5-17
Rep.:	Wholesaler:	Quote No.:

PRAXIS INDUSTRIES, LLC.  
 435 INDUSTRIAL RD - SAVANNAH, TN 38372  
 1 (800) 443-7269 - FAX (731) 925-4290