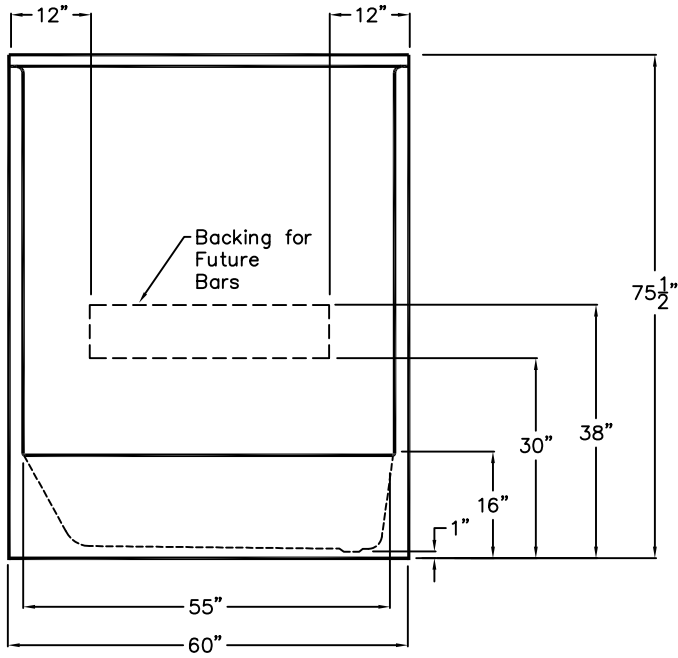


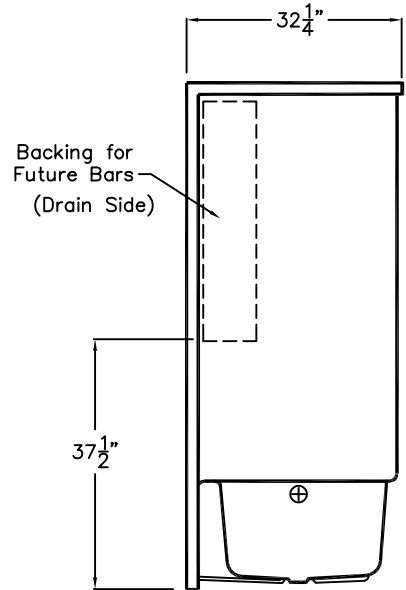
Special Needs Series

SUBMITTAL DATA

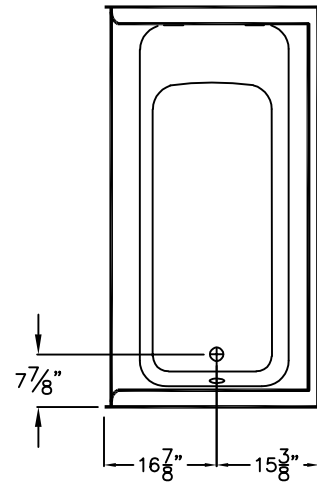
FRONT VIEW



DRAIN SIDE VIEW



TOP VIEW



DUE TO THE NATURE OF THE MATERIALS
DIMENSIONS MAY VARY ± 1/2"

Accessible Tub Shower

This shower enclosure shall be Choose Home Model CHG 6092 TS 2P FB right, or left. Finished surface shall be of sanitary-grade applied acrylic. The unit shall have outside dimensions of 60" x 32 1/4" x 75 1/2". The unit shall meet IAPMO Z124-2011, and CSA B45.5-11.

The enclosure shall be equipped with the following factory installed accessories:

- 1) Wood backing on the back wall for future horizontal grab bar, 2) Wood backing on the drain end wall for future vertical grab bar (bars by others).

Available options:

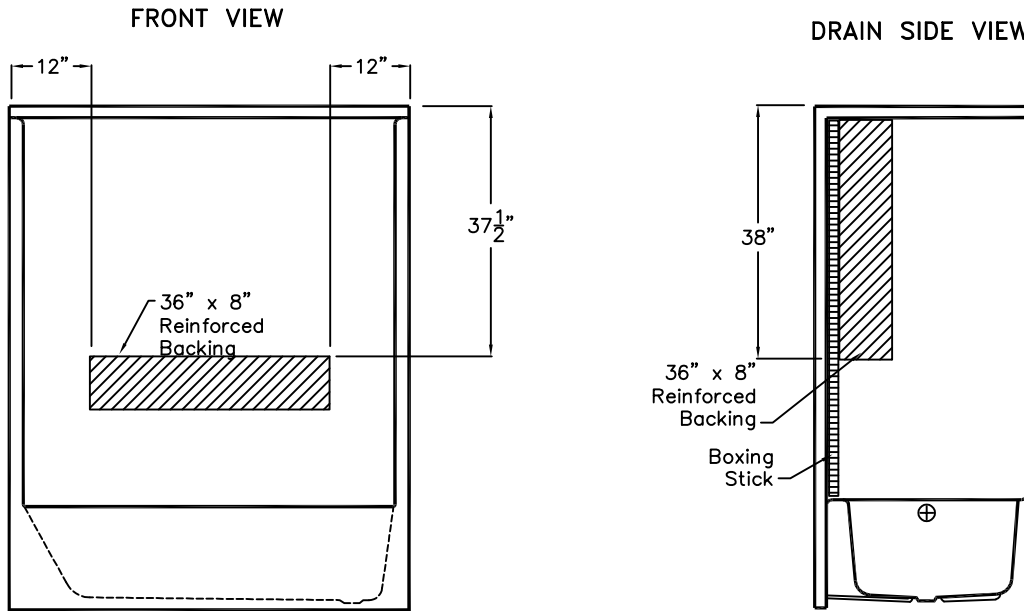
- 1) Hand held shower set (includes: swivel connector, 60" flex hose, 30" slide bar, brass nipple, locknut, wall brackets, and shower outlet), 2) Pressure balance valve, 3) Green anti-bacterial shower curtain with hooks, 5) White weighted shower curtain with hooks, 6) Drain, 7) Grab bars, 8) Fold up seat.

Job Name:		PRAXIS	
Approved by Print Name:		Drawing#: CHG 6092 TS FBP	
Approved by Signature:	Date:	Date: 7-19-96	Revised: 4-4-17
Rep.:	Wholesaler:	Quote No.:	

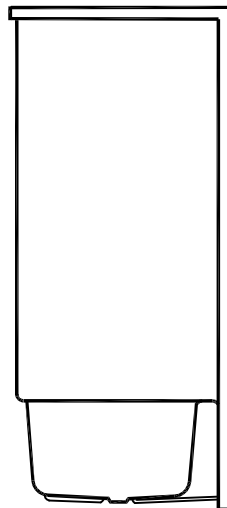
PRAXIS INDUSTRIES, LLC.
435 INDUSTRIAL RD - SAVANNAH, TN 38372
1 (800) 443-7269 - FAX (731) 925-4290

Backing Placement Drawing

SUBMITTAL DATA



SIDE OPPOSITE DRAIN



DUE TO THE NATURE OF THE MATERIALS
DIMENSIONS MAY VARY ± 1/2"

Job Name:	PRAXIS
Approved by Print Name:	Drawing#: CHG 6092 TS FBP
Approved by Signature:	Date: 7-19-96 Revised: 4-4-17
Rep.:	Quote No.:

PRAXIS INDUSTRIES, LLC.
435 INDUSTRIAL RD - SAVANNAH, TN 38372
1 (800) 443-7269 - FAX (731) 925-4290