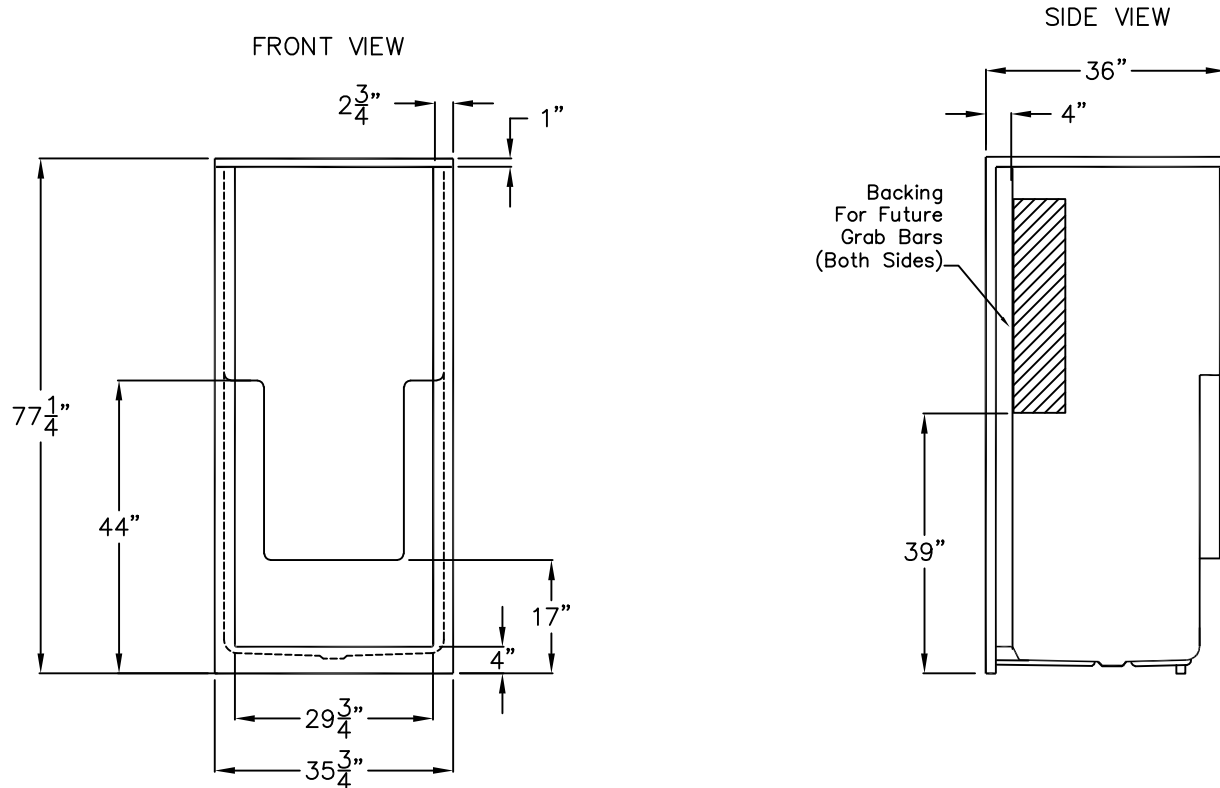


Assisted Living Series

SUBMITTAL DATA



Accessible Shower Stall

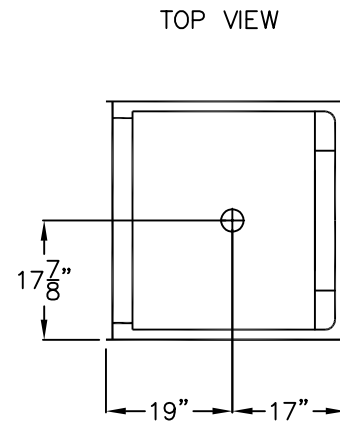
This shower enclosure shall be Choose Home Model CHG 3636 SH center, right, or left. Finished surface shall be of sanitary-grade applied acrylic. The unit shall have outside dimensions of $35\frac{3}{4}$ " x 36 " x $77\frac{1}{4}$ ". The unit shall meet IAPMO Z124-2011, and CSA B45.5-11.

The enclosure shall be equipped with the following factory installed accessories:

- 1) Reinforced backing on both side walls for future vertical grab bars (bars by others),
- 2) Molded corner soap ledges,
- 3) Molded low ledge on the back wall,
- 4) 4.0" threshold.

Available options:

- 1) Hand held shower set (includes: swivel connector, 60" flex hose, 30" slide bar, brass nipple, locknut, wall brackets, and shower outlet),
- 2) Pressure balance valve,
- 3) Green anti-bacterial shower curtain with hooks,
- 5) White weighted shower curtain with hooks,
- 6) Drain,
- 7) Grab bars,
- 8) Fold up seat.



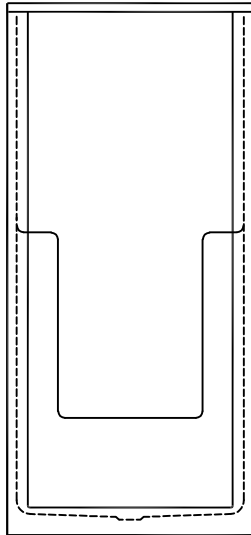
DUE TO THE NATURE OF THE MATERIALS
DIMENSIONS MAY VARY $\pm 1/2$ "

Job Name:	PRAXIS
Approved By Print Name:	Drawing#: CHG 3636 SH 4.0 FBP
Approved By Signature:	Date: 6-24-96 Revised: 4-4-17
Rep.:	Quote No.:

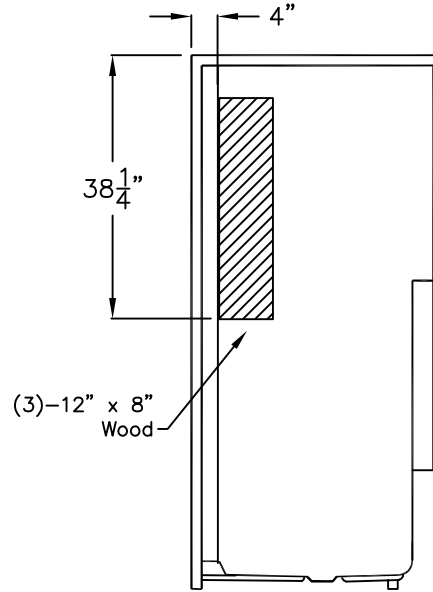
PRAXIS INDUSTRIES, LLC.
435 INDUSTRIAL RD - SAVANNAH, TN 38372
1 (800) 443-7269 - FAX (731) 925-4290

Backing Placement SUBMITTAL DATA

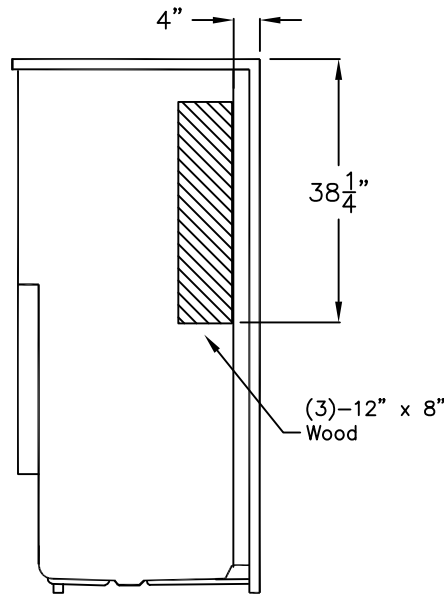
FRONT VIEW



SIDE VIEW



SIDE VIEW



Job Name:

PRAXIS

Approved by Print Name:

Drawing#: CHG 3636 SH 4.0 FBP-BP

Approved by Signature:

Date:

Date: 6-9-00

Revised: 4-4-17

Rep.:

Wholesaler:

Quote No.:

PRAXIS INDUSTRIES, LLC.
435 INDUSTRIAL RD - SAVANNAH, TN 38372
1 (800) 443-7269 - FAX (731) 925-4290