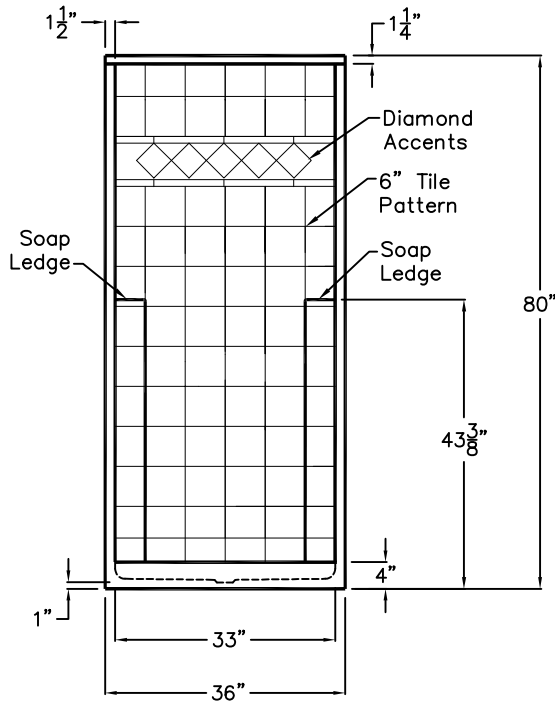


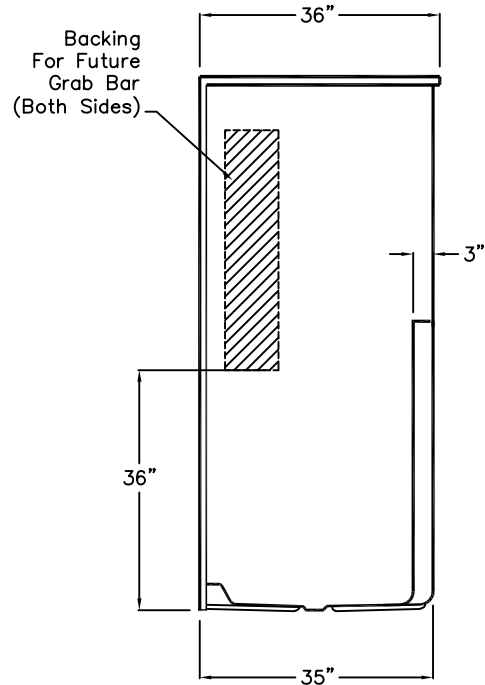
Luxury Acrylic Series

SUBMITTAL DRAWING

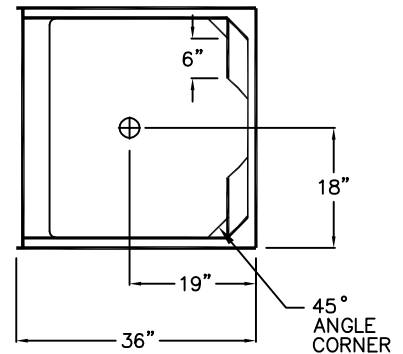
FRONT VIEW



SIDE VIEW



TOP VIEW



DUE TO THE NATURE OF THE MATERIALS
DIMENSIONS MAY VARY ± 1/2"

Accessible Shower

This shower enclosure shall be Choose Home Model CHM 3678 SH Tile right, or left. Finished surface shall be of sanitary-grade applied acrylic. The unit shall have outside dimensions of 60" x 33" x 78 1/2". The unit shall meet IAPMO Z124-2011, and CSA B45.5-11.

The enclosure shall be equipped with the following factory installed accessories:

- 1) Reinforced backing on both side walls for future vertical grab bars (bars by others),
- 2) Molded corner soap dishes, 3) Tile finish, 4) Diamond accents, 5) 4.0" threshold.

Available options:

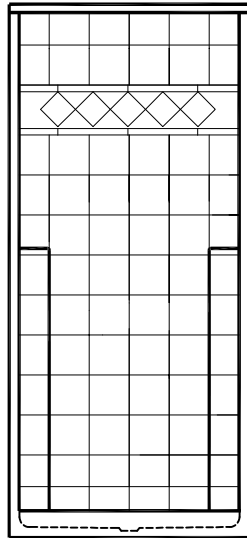
- 1) Hand held shower set (includes: swivel connector, 60" flex hose, 30" slide bar, brass nipple, locknut, wall brackets, and shower outlet),
- 2) Pressure balance valve,
- 3) Green anti-bacterial shower curtain with hooks,
- 5) White weighted shower curtain with hooks,
- 6) Drain,
- 7) Grab bars,
- 8) Fold up seat.

Job Name:	PRAXIS	
Approved by Print Name:	Drawing#: CHM 3678 SH 4.0 FBP	
Approved by Signature:	Date:	Date: 1-10-03 Revised: 4-4-17
Rep.:	Wholesaler:	Quote No.:

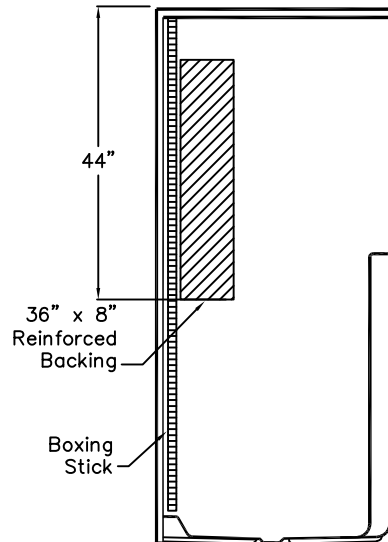
PRAXIS INDUSTRIES, LLC.
ROUTE 1, BOX 46D - SAVANNAH, TN 38372
1 (800) 443-7269 - FAX (731) 925-4290

Backing Placement SUBMITTAL DRAWING

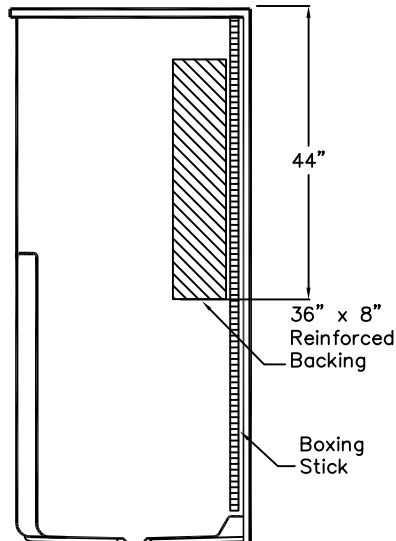
FRONT VIEW



SIDE VIEW



SIDE VIEW



DUE TO THE NATURE OF THE MATERIALS
DIMENSIONS MAY VARY $\pm 1/2"$

Job Name:	PRAXIS	
Approved by Print Name:	Drawing#: CHM 3678 SH 4.0 FBP-BP	
Approved by Signature:	Date:	Date: 1-10-03 Revised: 4-4-17
Rep.:	Wholesaler:	Quote No.:

PRAXIS INDUSTRIES, LLC.
ROUTE 1, BOX 46D - SAVANNAH, TN 38372
1 (800) 443-7269 - FAX (731) 925-4290