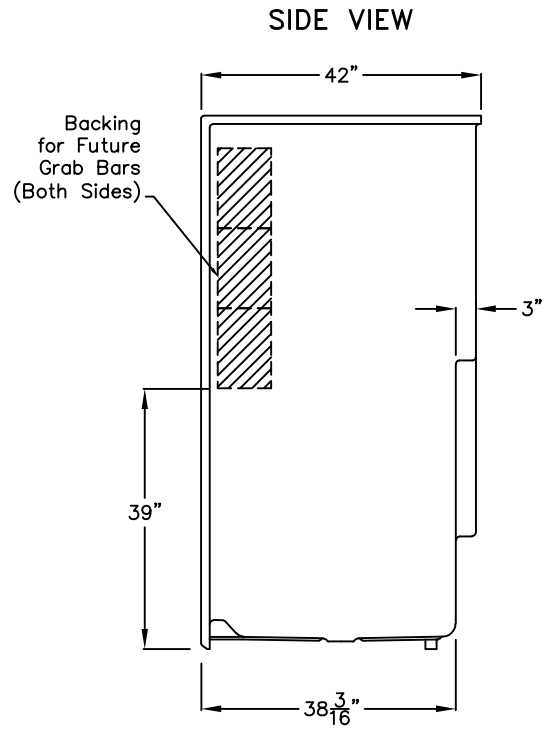
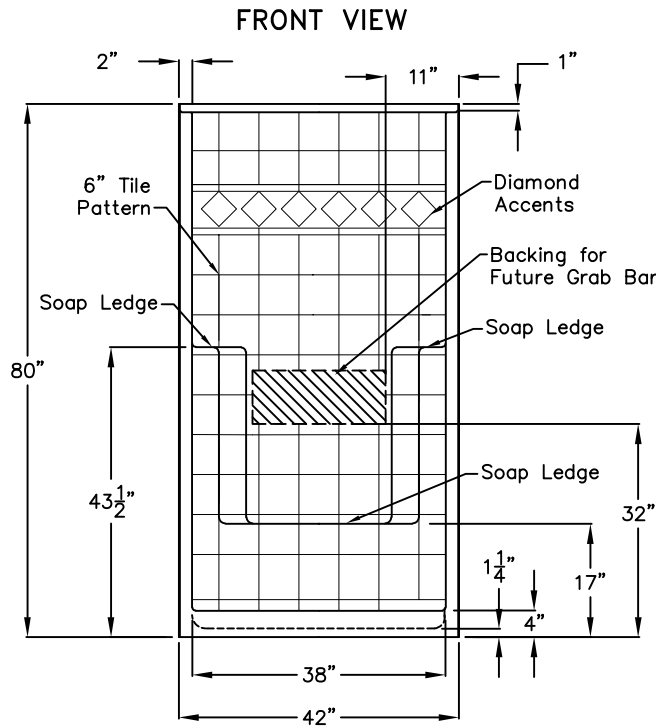


# Luxury Acrylic Series

## SUBMITTAL DATA



### Accessible Shower

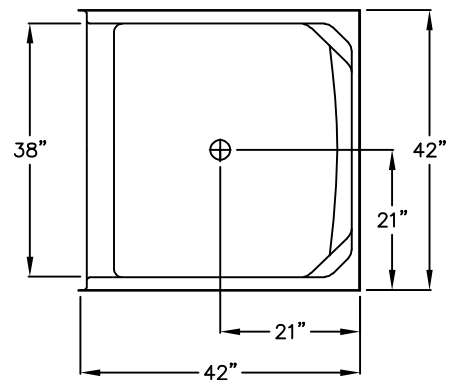
This shower enclosure shall be Choose Home Model CHM 4242 center, right, or left. Finished surface shall be of sanitary-grade applied acrylic. The unit shall have outside dimensions of 42" x 42" x 80". The unit shall meet IAPMO Z124-2011, and CSA B45.5-11.

The enclosure shall be equipped with the following factory installed accessories:  
 1) Reinforced backing on the back wall for future horizontal grab bar,  
 2) Reinforced backing on both side walls for future vertical grab bars (bars by others), 3) Molded corner soap ledges, 4) Molded soap ledge low on the back wall, 5) Tile finish, 6) Diamond accents, 7) 4.0" threshold.

#### Available options:

- 1) Hand held shower set (includes: swivel connector, 60" flex hose, 30" slide bar, brass nipple, locknut, wall brackets, and shower outlet),
- 2) Pressure balance valve,
- 3) Green anti-bacterial shower curtain with hooks,
- 5) White weighted shower curtain with hooks,
- 6) Drain,
- 7) Grab bars.

### TOP VIEW



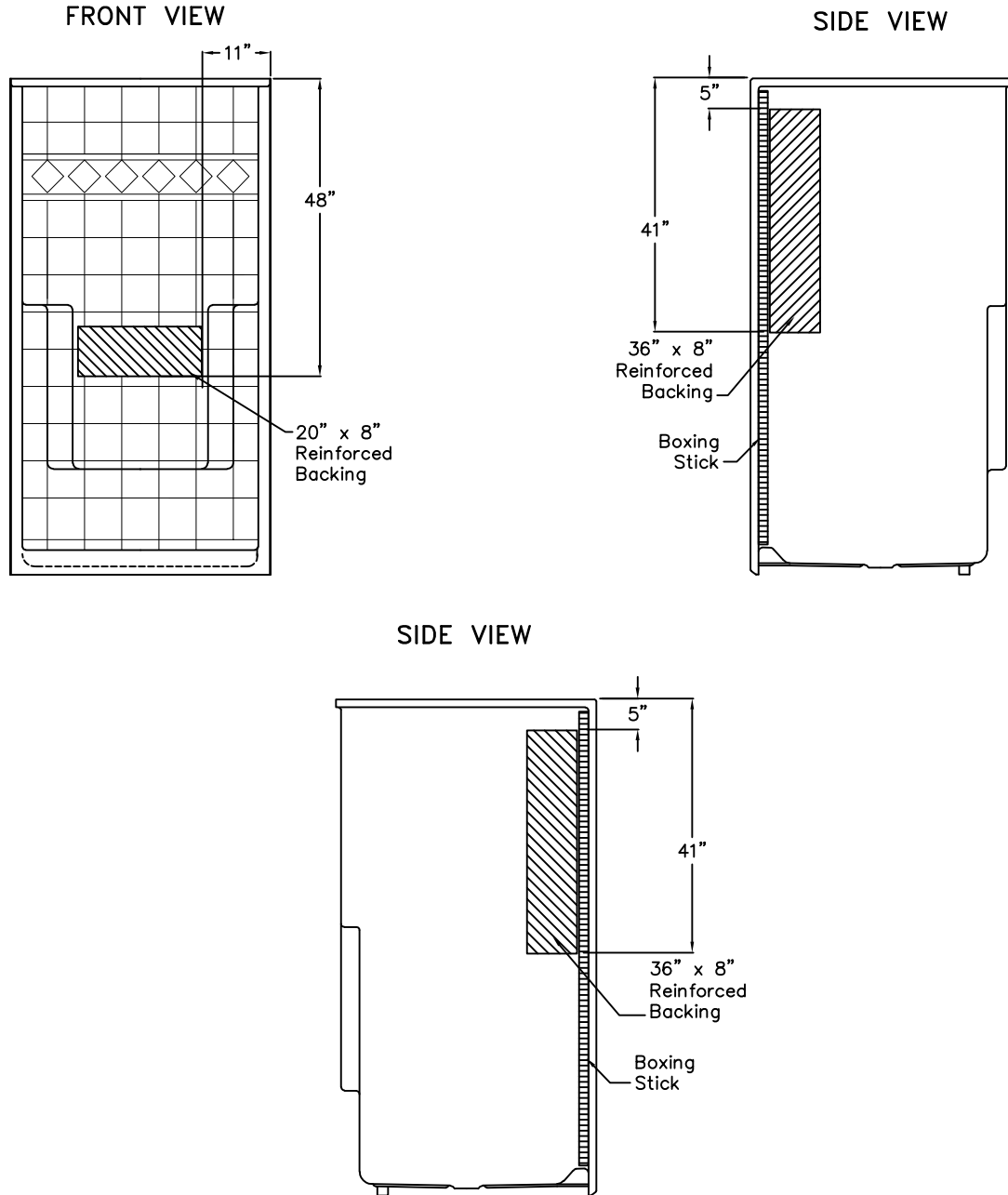
DUE TO THE NATURE OF THE MATERIALS INVOLVED  
 UNIT DIMENSIONS MAY VARY ± 1/2 INCH

Job Name:	<b>PRAXIS</b>	
Approved by Print Name:	Drawing: CHM 4242 SH 4.0 FBP	
Approved by Signature:	Date:	Date: 3-2-07      Revised: 4-4-17
Rep.:	Wholesaler:	Quote No.:

PRAXIS INDUSTRIES, LLC.  
 435 INDUSTRIAL RD - SAVANNAH, TN 38372  
 1 (800) 443-7269 - FAX (731) 925-4290

# Backing Placement

## SUBMITTAL DATA



DUE TO THE NATURE OF THE MATERIALS INVOLVED  
UNIT DIMENSIONS MAY VARY ± 1/2 INCH

Job Name:	<b>PRAXIS</b>
Approved by Print Name:	Drawing: CHM 4242 SH 4.0 FBP-BP
Approved by Signature:	Date: 3-2-07      Revised: 4-4-17
Rep.:	Quote No.:

PRAXIS INDUSTRIES, LLC.  
435 INDUSTRIAL RD - SAVANNAH, TN 38372  
1 (800) 443-7269 - FAX (731) 925-4290