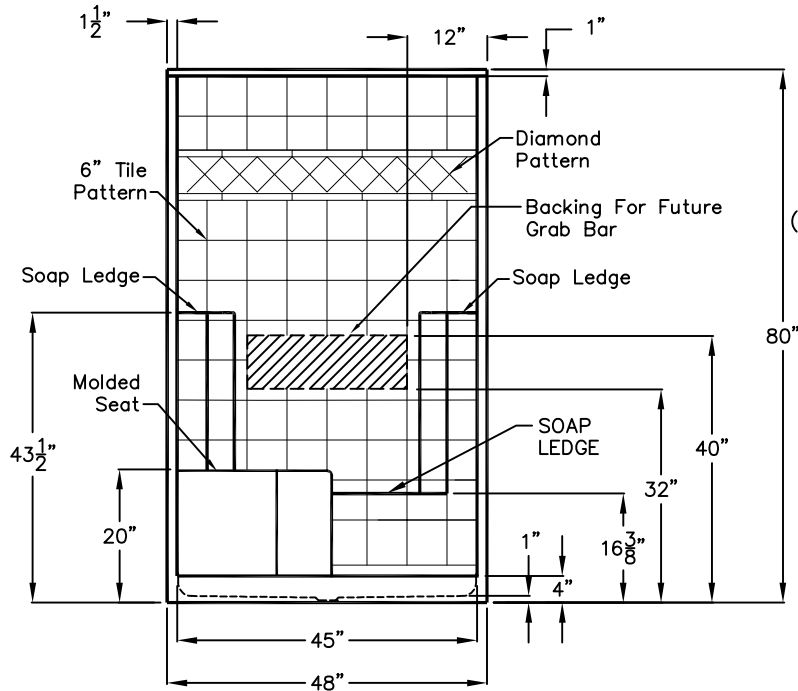


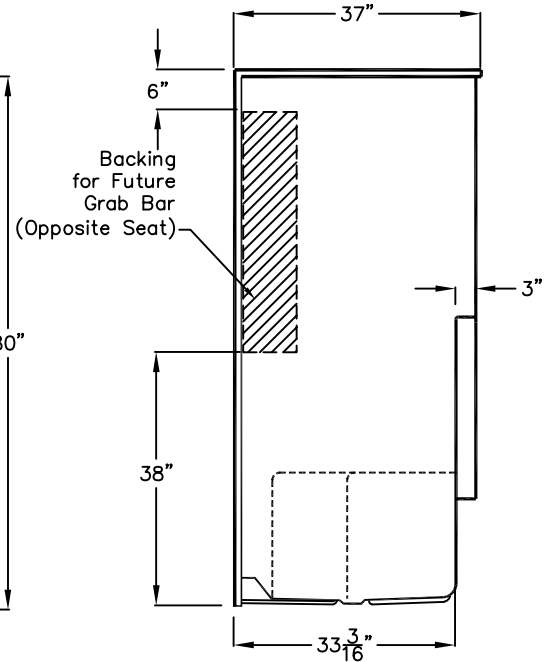
Luxury Acrylic Series

SUBMITTAL DATA

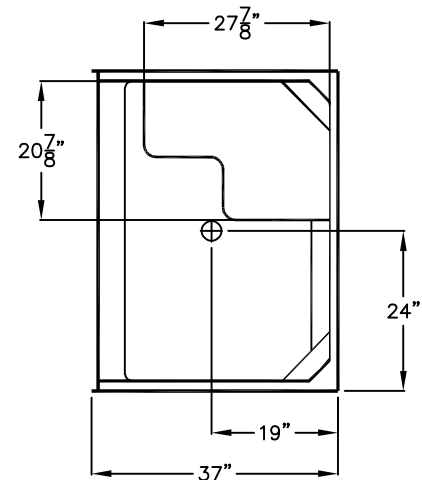
FRONT VIEW



SIDE VIEW



TOP VIEW



Accessible Shower

This shower enclosure shall be Choose Home Model CHM 3648 SH Tile 1S right, or left. Finished surface shall be of sanitary-grade applied acrylic. The unit shall have outside dimensions of 48" x 37" x 80". The unit shall meet IAPMO Z124-2011, and CSA B45.5-11.

The enclosure shall be equipped with the following factory installed accessories:

- 1) Reinforced backing on the back wall for future horizontal grab bar,
- 2) Reinforced backing opposite the seat for future vertical grab bar (bars by others),
- 3) Molded seat,
- 4) Molded corner soap ledges,
- 5) Molded ledge low on back wall,
- 6) 4.0" Threshold.

Available options:

- 1) Hand held shower set (includes: swivel connector, 60" flex hose, 30" slide bar, brass nipple, locknut, wall brackets, and shower outlet),
- 2) Pressure balance valve,
- 3) Green anti-bacterial shower curtain with hooks,
- 5) White weighted shower curtain with hooks,
- 6) Drain,
- 7) Grab bars.

DUE TO THE NATURE OF THE MATERIALS INVOLVED
UNIT DIMENSIONS MAY VARY ± 1/2 INCH

Job Name:

PRAXIS

Approved By Print Name

Drawing: CHM 3648 SH 1S 4.0 FBP

Approved By Signature:

Date:

Date: 5-10-04

Revised: 4-4-17

Rep.:

Wholesaler:

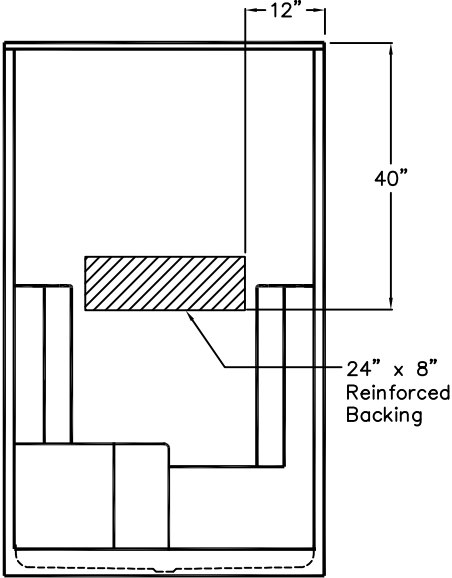
Quote No.:

PRAXIS INDUSTRIES, LLC.
435 INDUSTRIAL RD - SAVANNAH, TN 38372
1 (800) 443-7269 - FAX (731) 925-4290

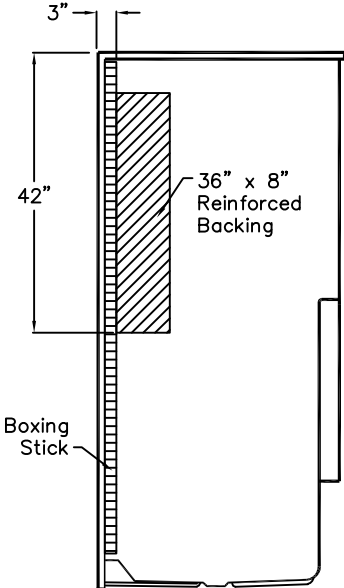
Backing Placement Drawing

SUBMITTAL DATA

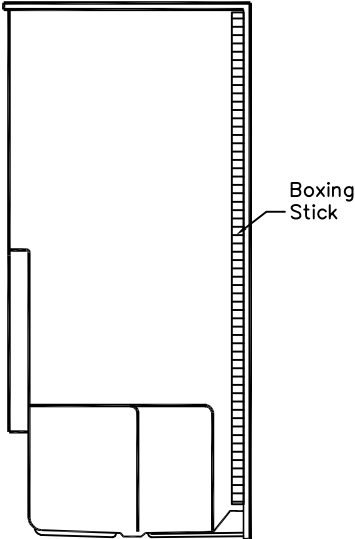
FRONT VIEW



SIDE VIEW



SIDE VIEW



DUE TO THE NATURE OF THE MATERIALS INVOLVED
UNIT DIMENSIONS MAY VARY ± 1/2 INCH

Job Name:	PRAXIS		
Approved by Print Name:	Drawing: CHM 3648 SH 1S 4.0 FBP-BP		
Approved by Signature:	Date:	Date: 5-10-04	Revised: 4-4-17
Rep.:	Wholesaler:	Quote No.:	

PRAXIS INDUSTRIES, LLC.
435 INDUSTRIAL RD - SAVANNAH, TN 38372
1 (800) 443-7269 - FAX (731) 925-4290