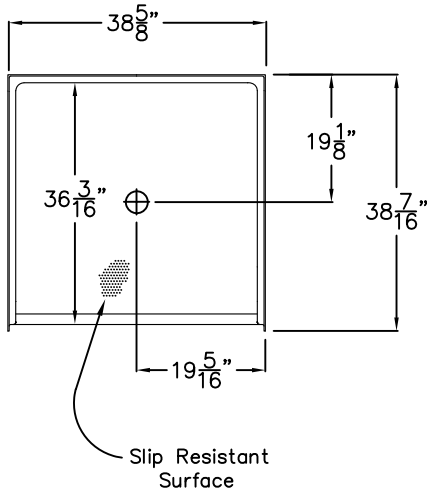


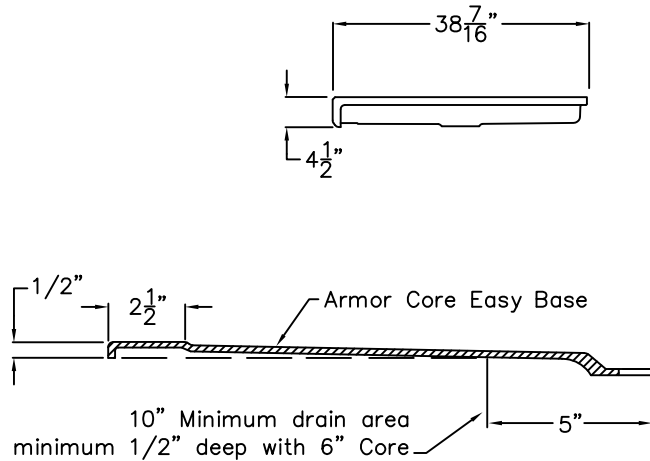
Comfort Series

SUBMITTAL DATA

TOP VIEW



SIDE VIEW



THRESHOLD DETAIL

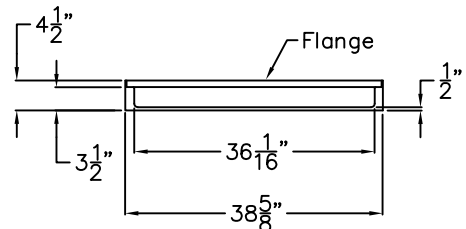
Barrier Free Shower Pan

The shower pan shall be Praxis model MPB 3838 BF .50 center drain. Finished surface shall be of an applied acrylic. The base shall be attached to the sump of the unit in such a manner to form an integral part with an inner and outer coating of polyester resin. The unit shall have outside dimensions of 38 5/8" x 38 7/16" x 4 1/2". The unit meets ANSI Z124.1.2, UPC, CSA B45.5, HUD-UM73, Home Innovation Research Lab, and complies with ADA, and ANSI A117.1 when configured with code required accessories such as grab bars, valve with hand shower and seat.

This enclosure shall be equipped with the following installed accessories:

- 1) Low entry 1/2" threshold,
- 2) Slip resistant surface on floor,
- 3) Center drain location,
- 4) Subway tile finish,
- 5) Factory installed Armor Core Easy Base.

FRONT VIEW



DUE TO THE NATURE OF THE MATERIALS INVOLVED
UNIT DIMENSIONS MAY VARY ± 1/2 INCH

Job Name:	PRAXIS
Approved By Print Name:	Drawing#: MPB 3838 BF .50 PAN Easy Base
Approved By Signature:	Date: 3-31-09 Revised: 5-30-17
Rep.:	Wholesaler: Quote No.

PRAXIS INDUSTRIES, INC.
ROUTE 1, BOX 46D - SAVANNAH, TN 38372
1 (800) 443-7269 - FAX (901) 925-4290