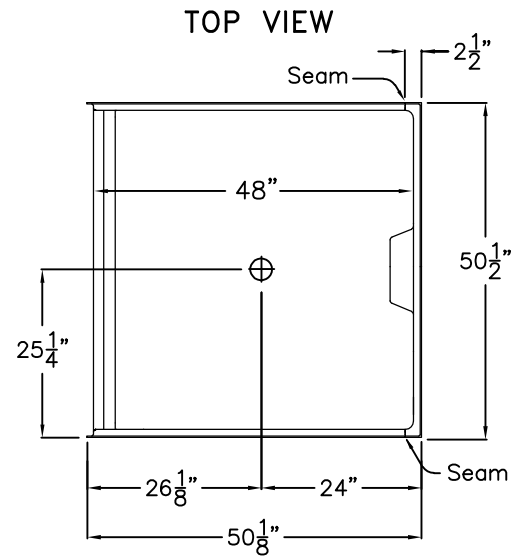
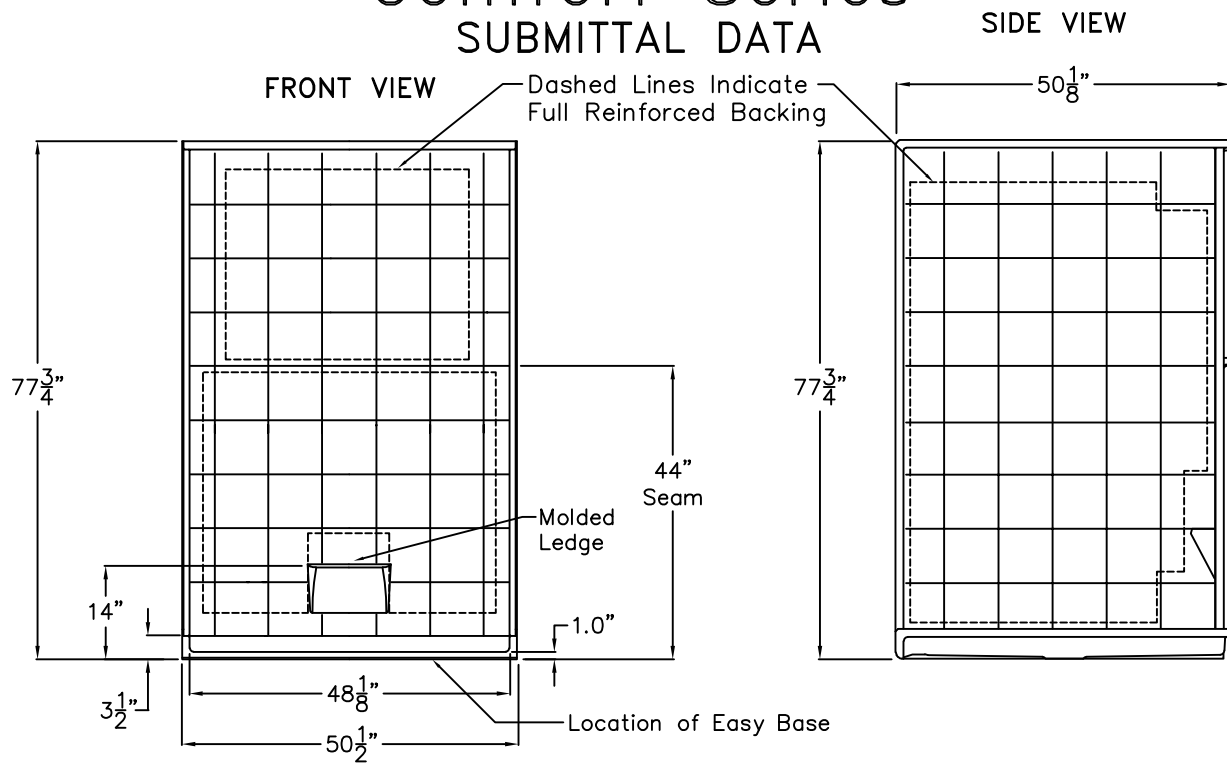


Comfort Series

SUBMITTAL DATA

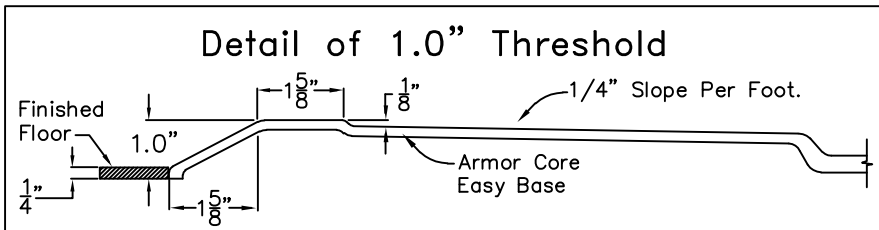


Sectional Shower

This shower enclosure shall be Model MP 5050 BF 5P 1.0 center drain. Finished surface shall be of sanitary-grade applied acrylic. The unit shall have outside dimensions of 50 1/2" x 50 1/8" x 77 3/4". The unit shall meet IAPMO Z124-2011, and CSA B45.5-11.

The enclosure shall be equipped with the following factory installed accessories:

- 1) Molded lower ledge on back wall,
- 2) Tile finish,
- 3) Five piece sectional design,
- 4) Full reinforced backing on all walls,
- 5) Factory installed Armor Core Easy Base,
- 6) 1.0" threshold.



DUE TO THE NATURE OF THE MATERIALS INVOLVED UNIT DIMENSIONS MAY VARY ± 1/2 INCH

PRAXIS

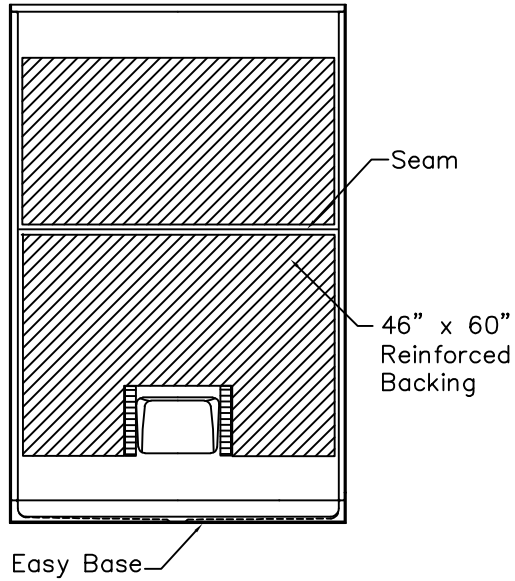
Approved By Print Name:		Drawing#: MP 5050 BF 5P 1.0
Approved By Signature:	Date:	Date: 3-15-12 Revised: 4-4-17
Rep.:	Wholesaler:	Quote No.

PRAXIS INDUSTRIES, INC.
 ROUTE 1, BOX 46D - SAVANNAH, TN 38372
 1 (800) 443-7269 - FAX (901) 925-4290

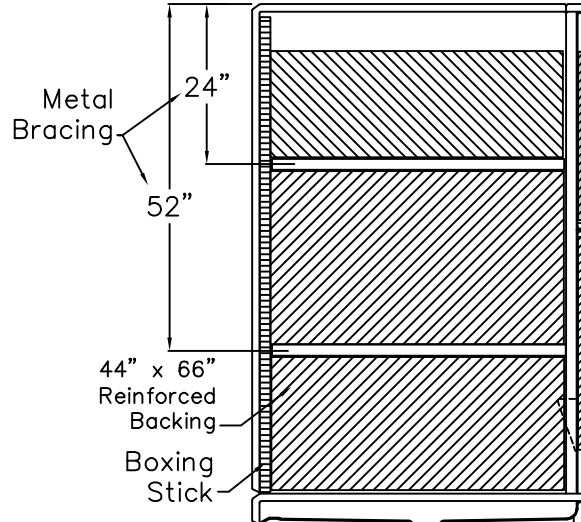
Backing Placement Drawing

SUBMITTAL DATA

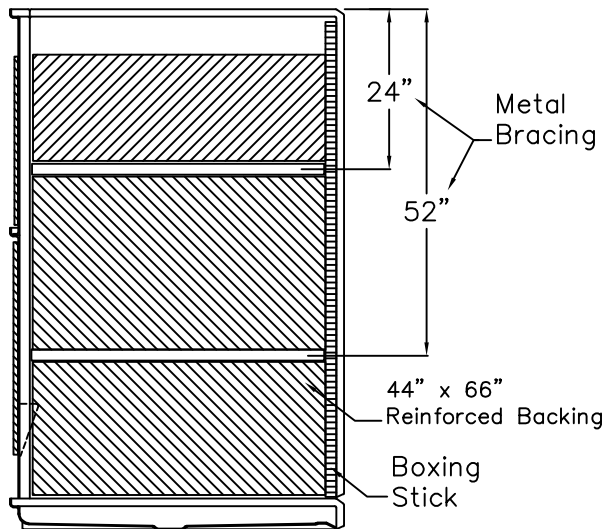
FRONT VIEW



SIDE VIEW



SIDE VIEW



Job Name:	PRAXIS	
Approved by Print Name:	Drawing#: MP 5050 BF 5P 1.0-BP	
Approved by Signature:	Date:	Date: 12-21-09 Revised: 4-4-17
Rep.:	Wholesaler:	Quote No.:

PRAXIS INDUSTRIES, INC.
 ROUTE 1, BOX 46D - SAVANNAH, TN 38372
 1 (800) 443-7269 - FAX (901) 925-4290