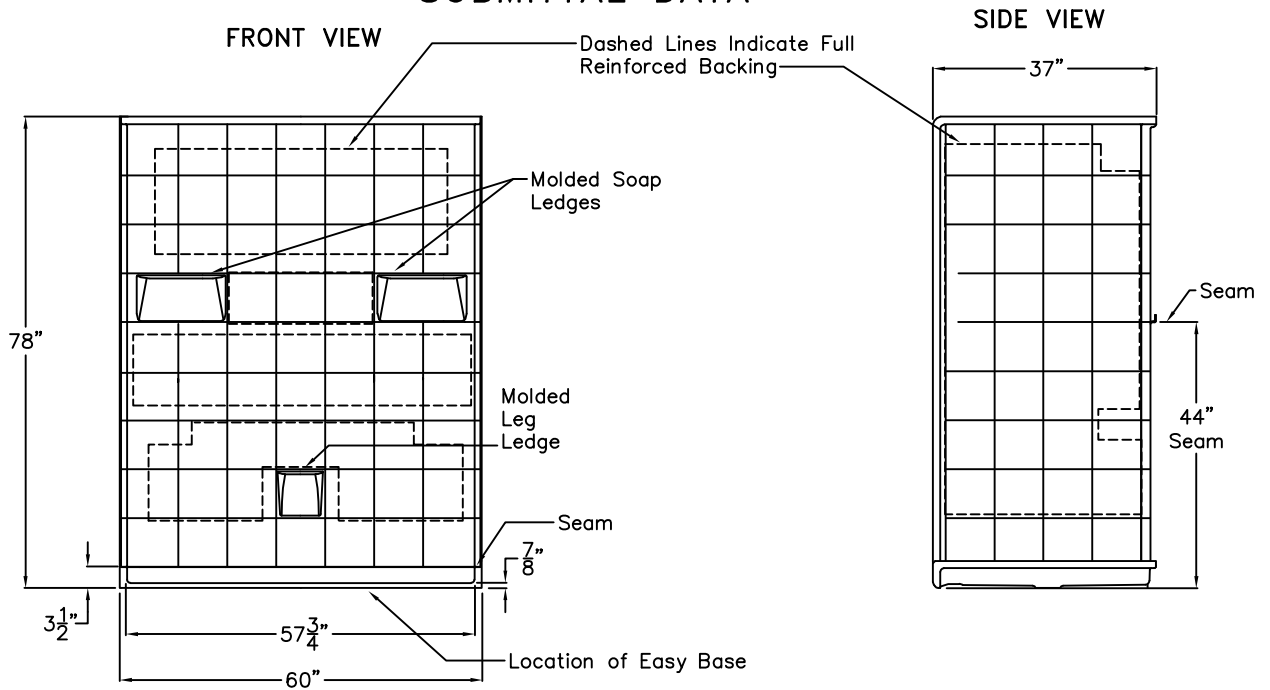


Comfort Series

SUBMITTAL DATA



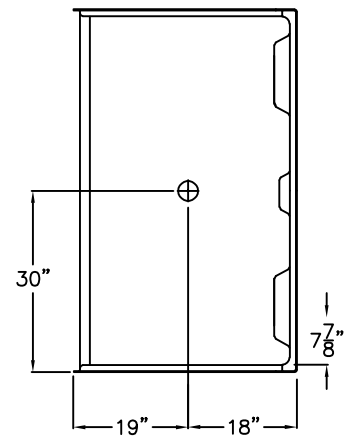
Sectional Shower

This shower enclosure shall be Model MP 6036 BF 5P 1.0 center drain location. Finished surface shall be of sanitary-grade applied acrylic. The unit shall have outside dimensions of 60" x 37" x 78". The unit shall meet IAPMO Z124-2011, and CSA B45.5-11.

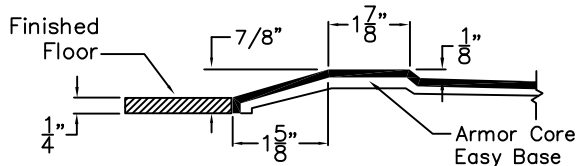
The enclosure shall be equipped with the following factory installed accessories:

- 1) Molded soap ledges,
- 2) Molded lower ledge on back wall,
- 3) Tile finish,
- 4) Five piece sectional design,
- 5) Full reinforced backing on all walls,
- 6) Factory installed Armor Core Easy Base,
- 7) Center drain location,
- 8) 7/8" threshold.

TOP VIEW



7/8" THRESHOLD DETAIL WITH EASY BASE



DUE TO THE NATURE OF THE MATERIALS
UNIT DIMENSIONS MAY VARY ± 1/2 INCH

PRAXIS

Approved By Print Name:

Drawing#: MP 6036 BF 5P .875

Approved By Signature:

Date:

Date: 3-31-09

Revised: 4-3-17

Rep.:

Wholesaler:

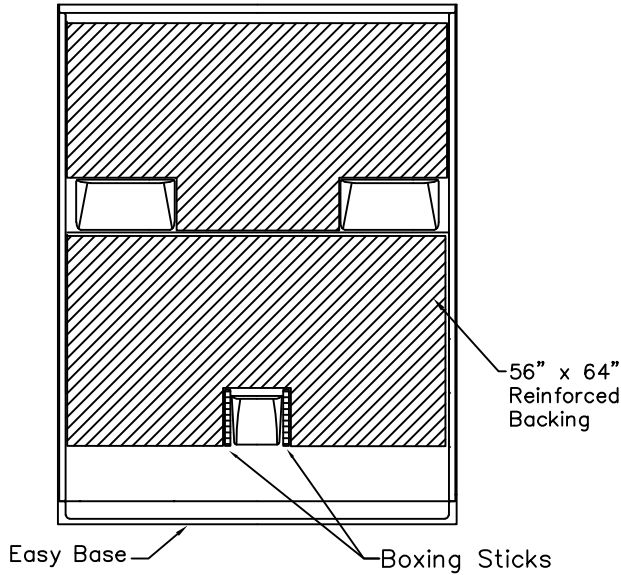
Quote No.

PRAXIS INDUSTRIES, INC.
ROUTE 1, BOX 46D - SAVANNAH, TN 38372
1 (800) 443-7269 - FAX (901) 925-4290

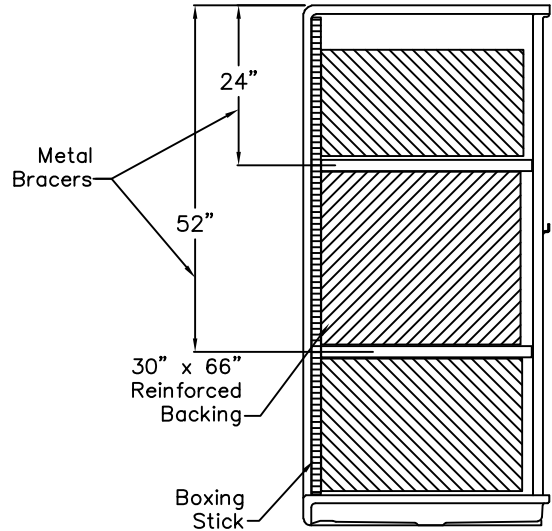
Backing Placement Drawing

SUBMITTAL DATA

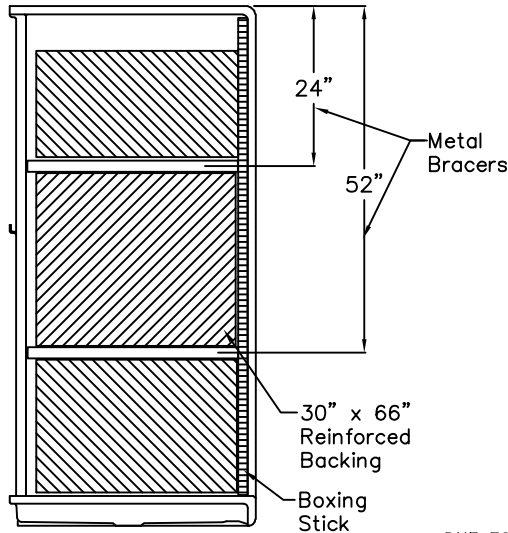
FRONT VIEW



SIDE VIEW



SIDE VIEW



DUE TO THE NATURE OF THE MATERIALS
UNIT DIMENSIONS MAY VARY ± 1/2 INCH

Job Name:		PRAXIS	
Approved by Print Name:		Drawing#: MP 6036 BF 5P .875-BP	
Approved by Signature:	Date:	Date: 3-31-09	Revised: 4-3-17
Rep.:	Wholesaler:	Quote No.:	

PRAXIS INDUSTRIES, INC.
ROUTE 1, BOX 46D - SAVANNAH, TN 38372
1 (800) 443-7269 - FAX (901) 925-4290