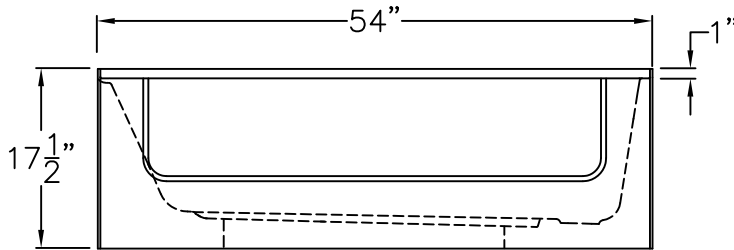


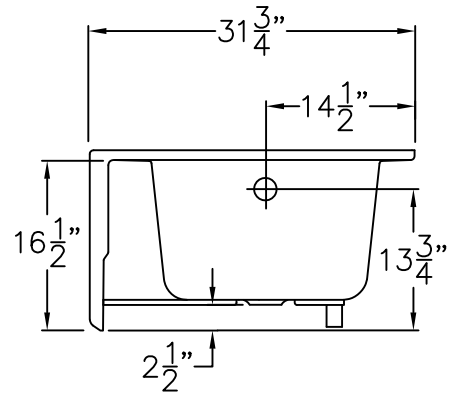
Luxury Acrylic Series

SUBMITTAL DATA

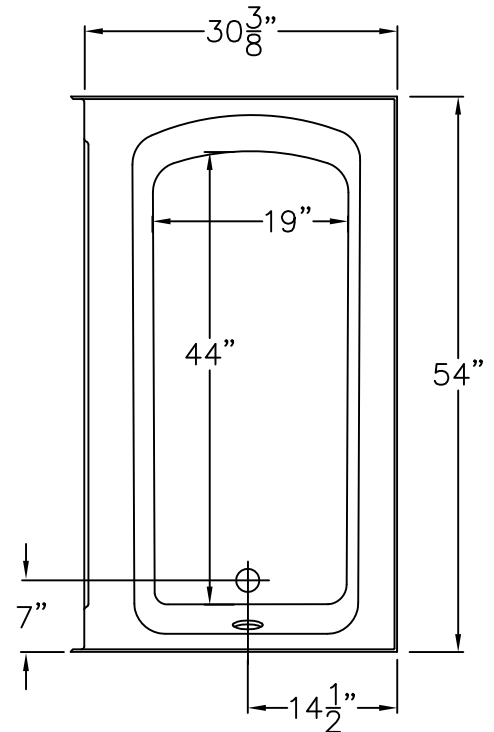
FRONT VIEW



END VIEW



TOP VIEW



DUE TO THE NATURE OF THE MATERIALS
DIMENSIONS MAY VARY ± 1/2"

Space Saving Tub

This shower enclosure shall be Aquarius Model G 5432 TO right or left. Finished surface shall be of sanitary-grade applied acrylic. The unit shall have outside dimensions of 54" x 31 3/4" x 17 1/2". The unit shall meet IAPMO Z124-2011, and CSA B45.5-11.

The enclosure shall be equipped with the following factory installed accessories:

- 1) Rectangle shaped bowl,
- 2) Integral apron,
- 3) Right or left drain.

Job Name:

AQUARIUS

Approved By Print Name:

Drawing#: G 5432 TO

Approved By Signature:

Date:

Date: 2-9-07

Revised: 10-10-16

Rep.:

Wholesaler:

Quote No.:

PRAXIS INDUSTRIES, LLC.
435 INDUSTRIAL ROAD, SAVANNAH, TN 38372
1 (800) 326-5489 - FAX (888) 246-0466