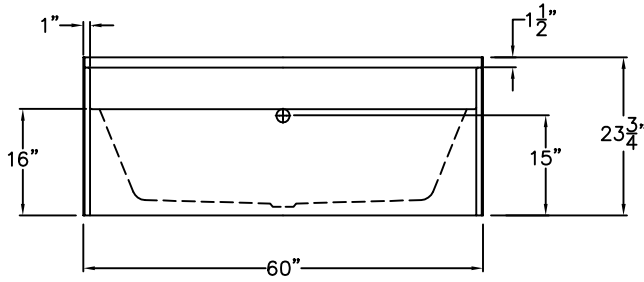


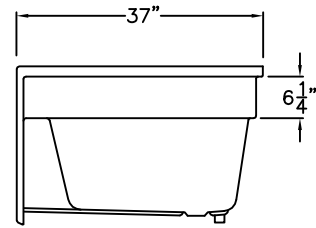
Luxury Acrylic Series

SUBMITTAL DATA

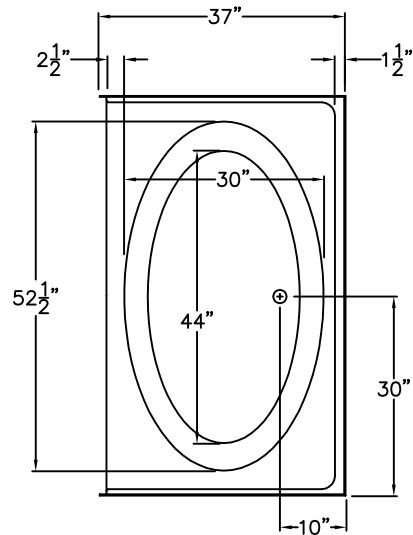
FRONT VIEW



SIDE VIEW



TOP VIEW



Space Saving Tub

This space saving bath tub shall be Aquarius Model G 6037 TO center drain. Finished surface shall be of sanitary-grade applied acrylic. The unit shall have outside dimensions of 60" x 37" x 23 3/4". The unit shall meet IAPMO Z124-2011, and CSA B45.5-11.

The enclosure shall be equipped with the following factory installed accessories:

- 1) Oval shaped bowl,
- 2) Wainscot trim,
- 3) Center drain location.

DUE TO THE NATURE OF THE MATERIALS
DIMENSIONS MAY VARY ± 1/2"

| | |
|-------------------------|---------------------------------|
| Job Name: | AQUARIUS |
| Approved by Print Name: | Drawing#: G 6037 TO |
| Approved by Signature: | Date: 6-29-99 Revised: 10-11-16 |
| Rep.: | Quote No.: |

PRAXIS INDUSTRIES, LLC.
435 INDUSTRIAL RD - SAVANNAH, TN 38372
1 (800) 443-7269 - FAX (731) 925-4290