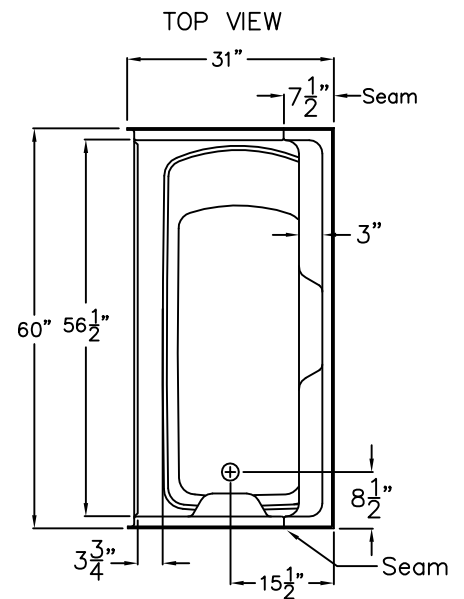
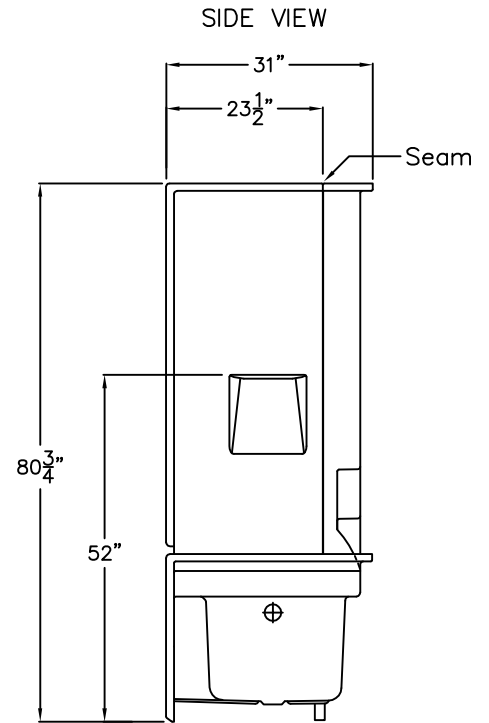
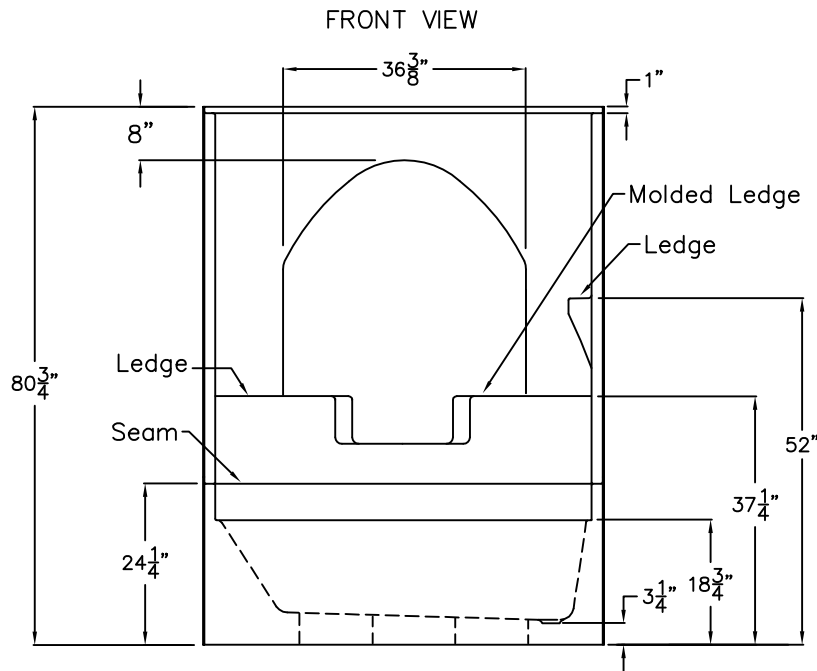


Luxury Acrylic Series

SUBMITTAL DATA



Sectional Tub Shower

This shower enclosure shall be Aquarius Model G 3060 TS 4P right, or left. Finished surface shall be of sanitary-grade applied acrylic. The unit shall have outside dimensions of 60" x 31" x 80 3/4". The unit shall meet IAPMO Z124-2011, and CSA B45.5-11.

The enclosure shall be equipped with the following factory installed accessories:

- 1) Left or right drain location,
- 2) Four piece sectional design,
- 3) Molded soap ledge on the valve wall,
- 4) Molded ledges on the back wall,
- 5) Above Floor Rough-In.

DUE TO THE NATURE OF THE MATERIALS
DIMENSIONS MAY VARY ± 1/2"

Job Name:

AQUARIUS

Approved by Print Name:

Drawing#: G 3060 TS 4P

Approved by Signature:

Date:

Date: 4-27-07.

Revised: 10-6-16

Rep.:

Wholesaler:

Quote No.:

PRAXIS INDUSTRIES, LLC.
435 INDUSTRIAL RD - SAVANNAH, TN 38372
1 (800) 443-7269 - FAX (731) 925-4290