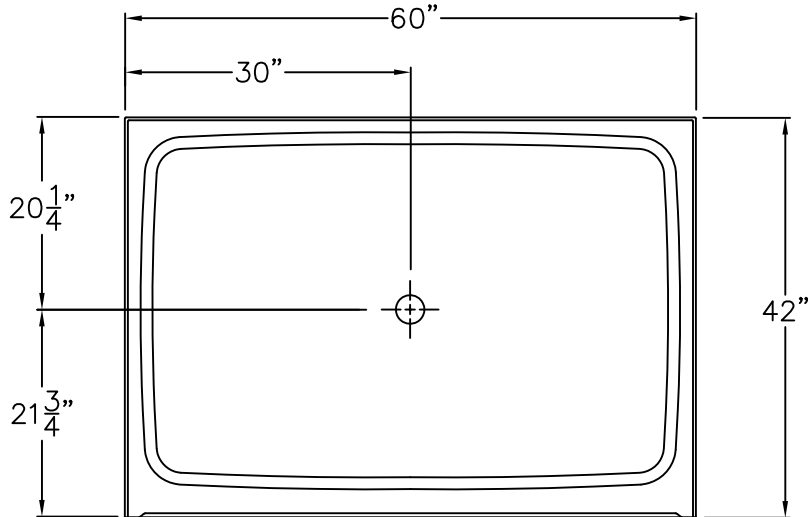


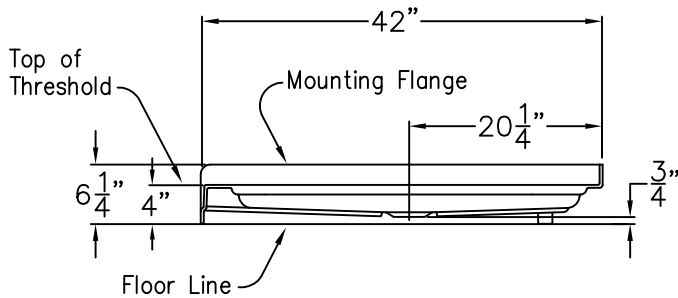
LUXURY ACRYLIC SERIES

SUBMITTAL DATA

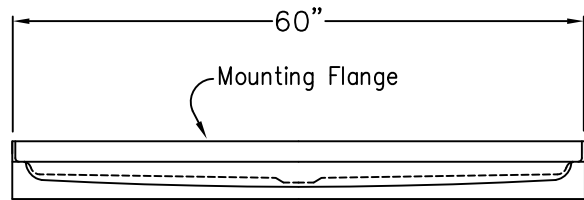
TOP VIEW



SIDE VIEW



FRONT VIEW



AB 4260 Acrylic Shower Pan.

Unit is molded acrylic surface with center drain and integral top mounting flange.

Unit complies with IAPMOZ124, CSA B45, and Home Innovation Research Lab. Unit measures 60" x 42" x 6 1/4" including the 2 1/4" mounting flange. Unit has 4" Threshold.

DUE TO THE NATURE OF THE MATERIALS
DIMENSIONS MAY VARY ± 1/2"

Job Name:		AQUARIUS	
Approved By Print Name:		Drawing#: AB 4260 Acrylic Pan	
Approved By Signature:	Date Approved:	Date: 6-2-14	Revised: 8-4-14
Rep.:	Wholesaler:	Quote No.:	

PRAXIS INDUSTRIES, INC.
ROUTE 1, BOX 46D - SAVANNAH, TN 38372
1 (800) 443-7269 - FAX (901) 925-4290