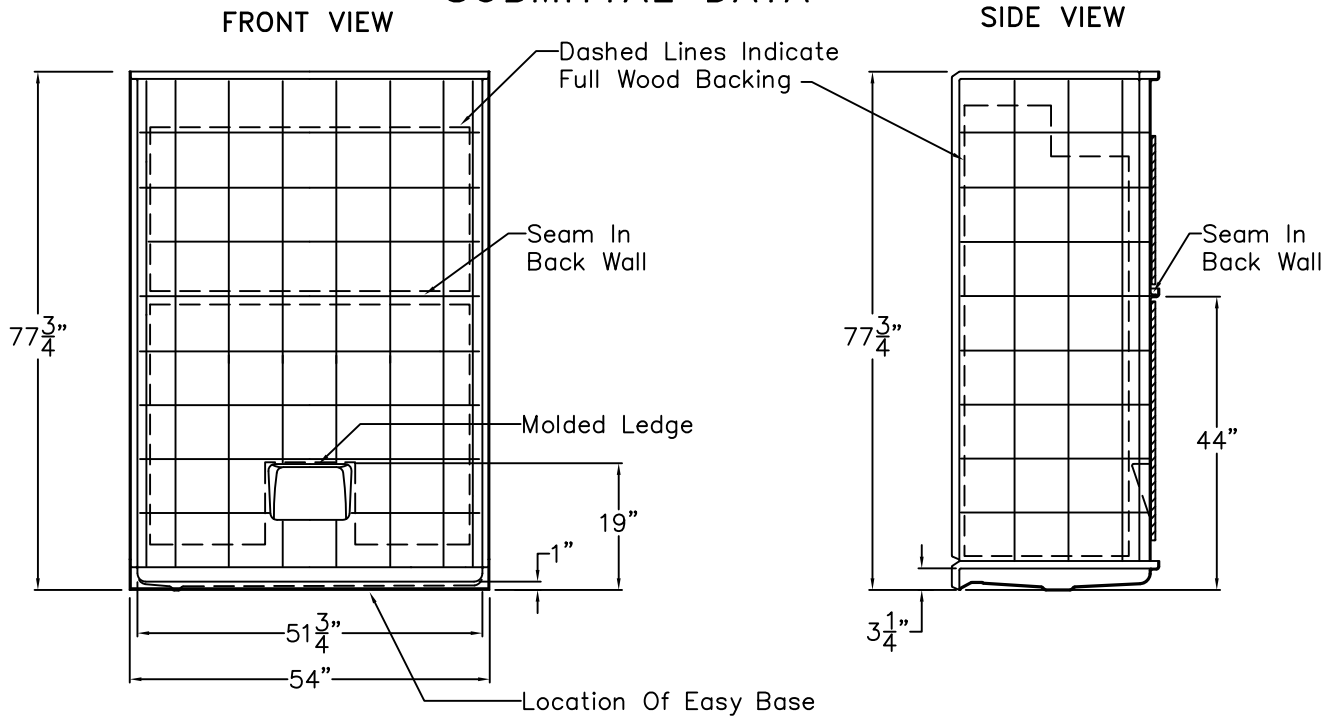


Comfort Series

SUBMITTAL DATA



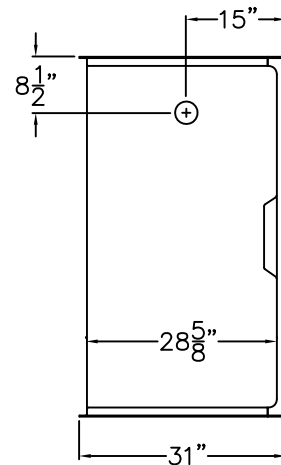
Sectional Shower

This shower enclosure shall be Praxis Model MP 5430 BF 5P 1.0 left or right drain. Finished surface shall be of sanitary-grade applied acrylic. The unit shall have outside dimensions of 54 " x 31 " x $77\frac{3}{4}$ ". The unit shall meet IAPMO Z124-2011, and CSA B45.5-11.

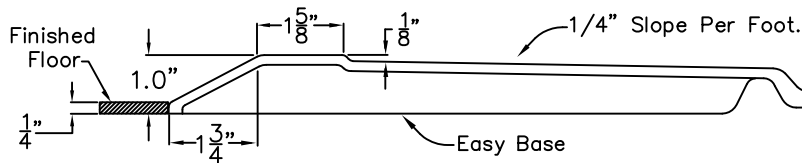
The enclosure shall be equipped with the following factory installed accessories:

- 1) Molded lower ledge on back wall,
- 2) Tile finish,
- 3) Five piece sectional design,
- 4) Full wood backing on all walls,
- 5) Factory installed Easy Base self sustaining bottom,
- 6) Left or right hand drain location,
- 7) 1.0 " threshold.

TOP VIEW



Detail of 1.0" Threshold



DUE TO THE NATURE OF THE MATERIALS INVOLVED
UNIT DIMENSIONS MAY VARY $\pm 1/2$ INCH

PRAXIS

Approved by Print Name:

Drawing#: MP 5430 BF 5P 1.0 L-R

Approved by Signature:

Date:

Date: 3-31-09

Revised: 2-21-17

Rep.:

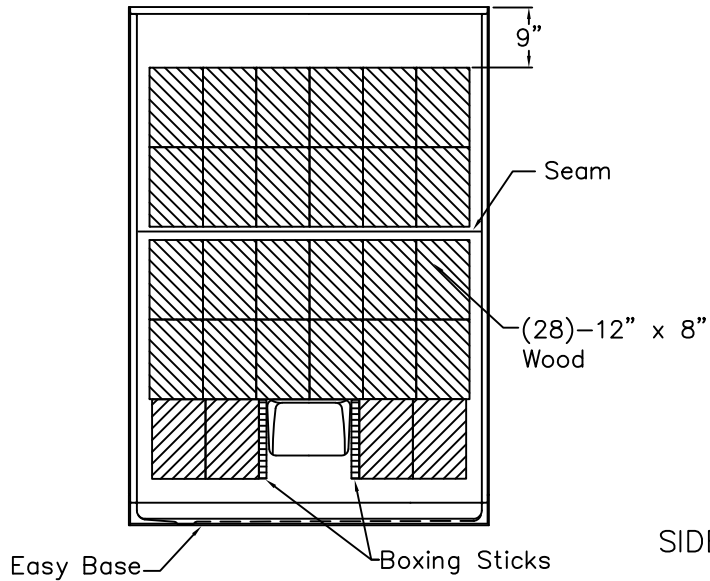
Wholesaler:

Quote No.

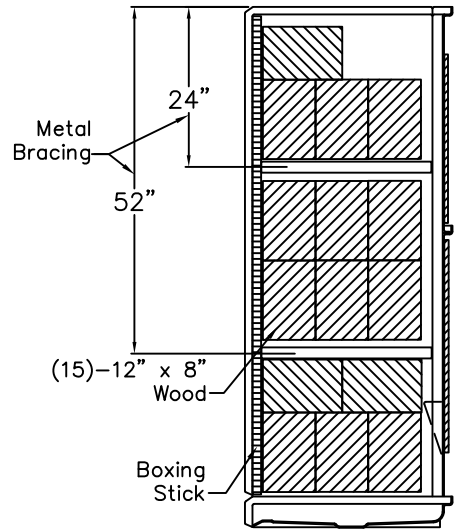
Board Placement Drawing

SUBMITTAL DATA © 2004

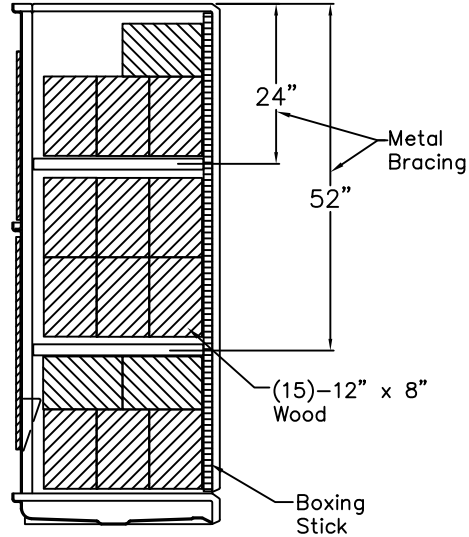
FRONT VIEW



SIDE VIEW



SIDE VIEW



DUE TO THE NATURE OF THE MATERIALS INVOLVED
UNIT DIMENSIONS MAY VARY ± 1/2 INCH

Job Name:

PRAXIS

Approved by Print Name:

Drawing#: MP 5430 BF 5P 1.0 L-R-BP

Approved by Signature:

Date:

Date: 12-21-09

Revised: 2-21-17

Rep.:

Wholesaler:

Quote No.: