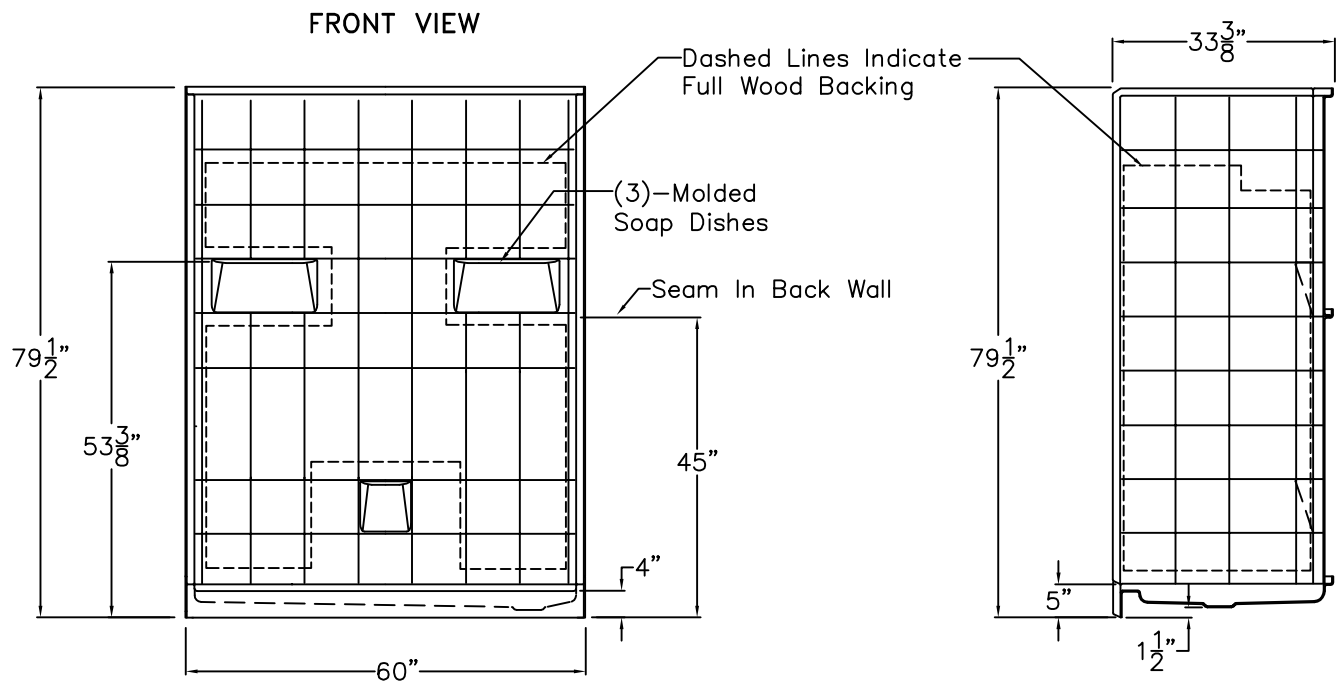
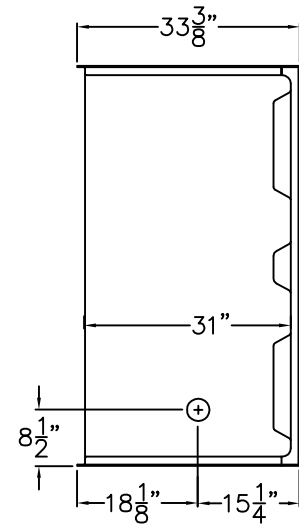


Comfort Series

SUBMITTAL DATA



TOP VIEW



Sectional Shower

This shower enclosure shall be Aquarius Model MP 6033 SH 5P left or right drain location. Finished surface shall be of sanitary-grade applied acrylic. The unit shall have outside dimensions of 60" x 33 3/8" x 79 1/2". The unit shall meet IAPMO Z124-2011, and CSA B45.5-11.

The enclosure shall be equipped with the following factory installed accessories:

- 1) Molded soap dishes,
- 2) Molded lower ledge on back wall,
- 3) Tile finish,
- 4) Five piece sectional design,
- 5) Full wood backing on all walls,
- 6) Left or right hand drain location,
- 7) 4.0" threshold.

DUE TO THE NATURE OF THE MATERIALS
UNIT DIMENSIONS MAY VARY ± 1/2 INCH

Job Name:	AQUARIUS		
Approved By Print Name:	Drawing#: MP 6033 SH 5P 4.0 L-R		
Approved By Signature:	Date:	Date: 3-31-09	Revised: 10-21-16
Rep.:	Wholesaler:	Quote No.	

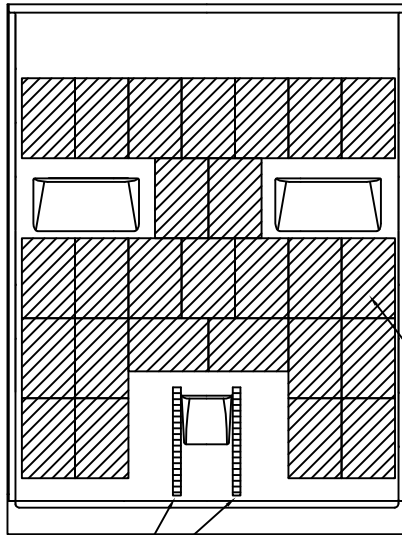
PRAXIS INDUSTRIES, INC.
ROUTE 1, BOX 46D - SAVANNAH, TN 38372
1 (800) 443-7269 - FAX (901) 925-4290

Recyclable Paper

Board Placement Drawing

SUBMITTAL DATA

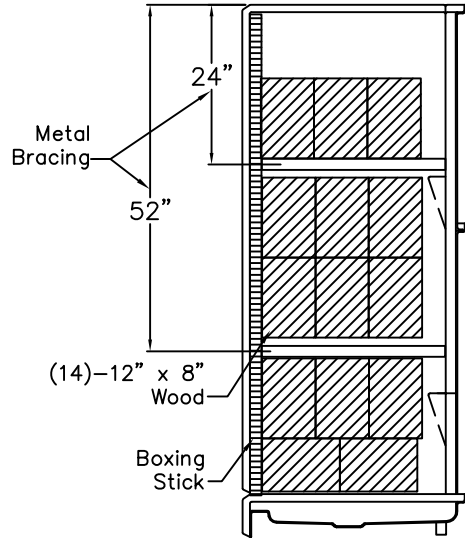
FRONT VIEW



(26) - 12" x 8"
Wood

Boxing
Sticks

DRAIN SIDE VIEW



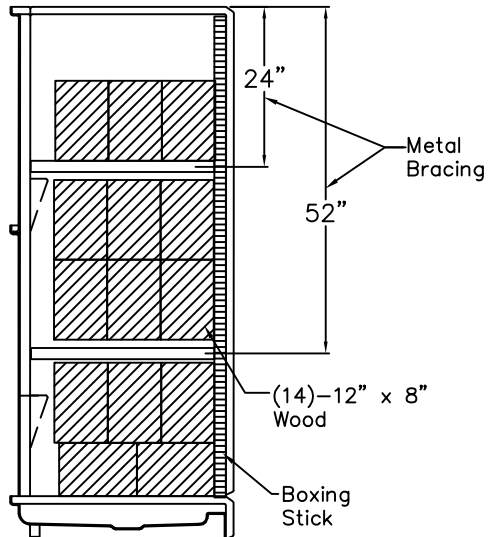
Metal
Bracing

52"

(14)-12" x 8"
Wood

Boxing
Stick

SIDE VIEW



Metal
Bracing

52"

(14)-12" x 8"
Wood

Boxing
Stick

DUE TO THE NATURE OF THE MATERIALS INVOLVED
UNIT DIMENSIONS MAY VARY ± 1/2 INCH

Job Name:	AQUARIUS	
Approved by Print Name:	Drawing#: MP 6033 SH 5P 4.0 L-R-BP	
Approved by Signature:	Date:	Date: 12-21-09 Revised: 10-21-16
Rep.:	Wholesaler:	Quote No.:

PRAXIS INDUSTRIES, INC.
ROUTE 1, BOX 46D - SAVANNAH, TN 38372
1 (800) 443-7269 - FAX (901) 925-4290