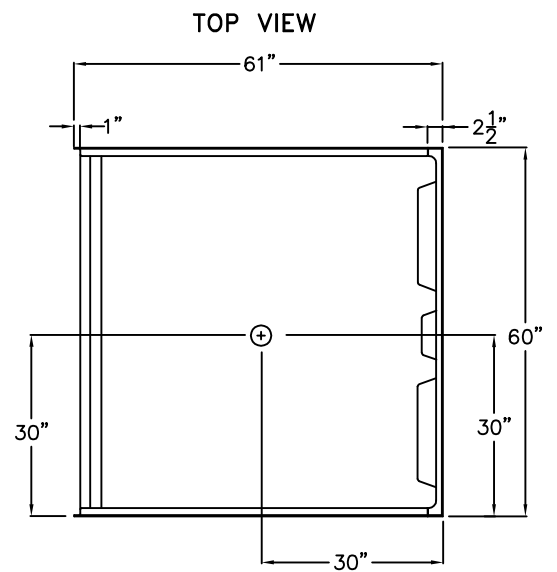
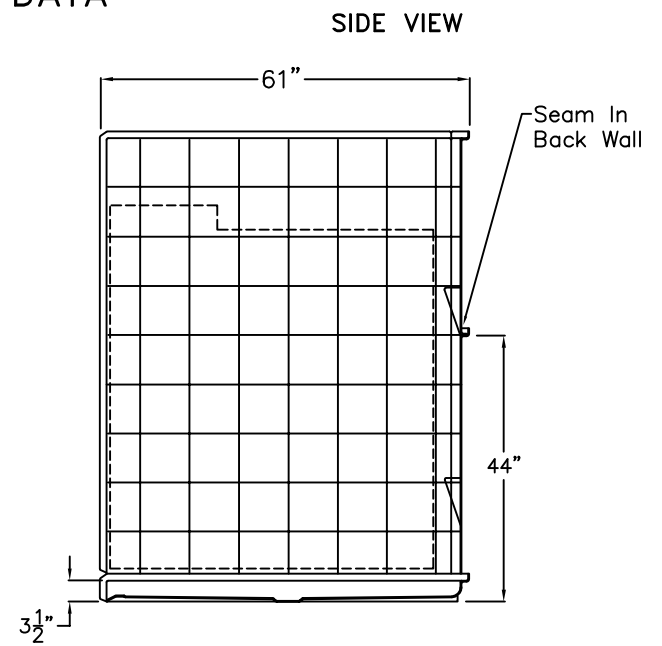
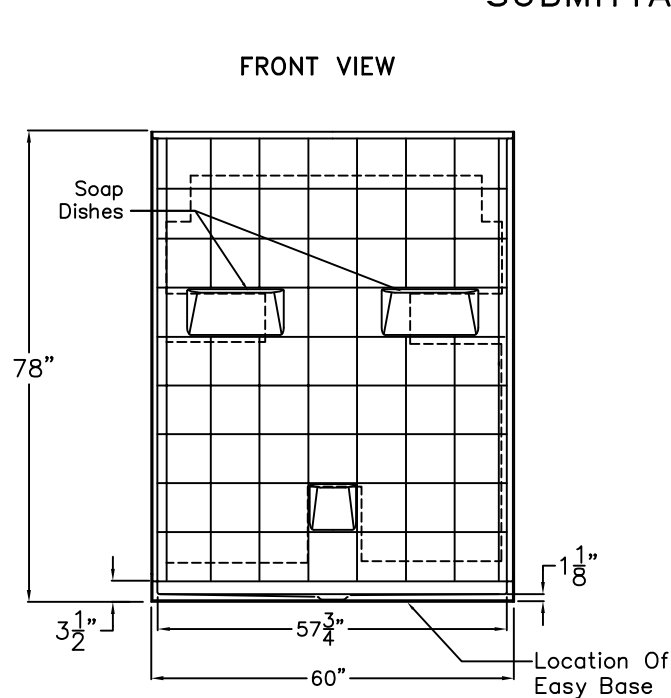


Comfort Series

SUBMITTAL DATA

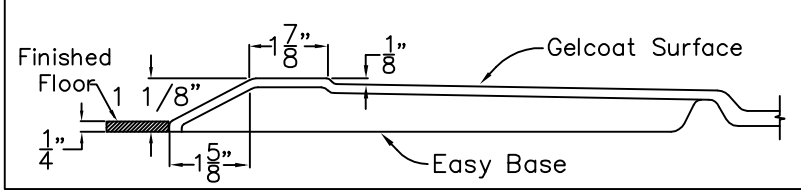


Sectional Shower

This shower enclosure shall be Aquarius Model MP 6060 BF 5P 1.1.25 center drain location. Finished surface shall be of sanitary-grade applied acrylic. The unit shall have outside dimensions of 60" x 61" x 78". The unit shall meet IAPMO Z124-2011, and CSA B45.5-11.

- The enclosure shall be equipped with the following factory installed accessories:
- 1) Molded soap ledges,
 - 2) Molded lower ledge on back wall,
 - 3) Tile finish,
 - 4) Five piece sectional design,
 - 5) Full wood backing on all walls,
 - 6) Factory installed Easy Base self sustaining bottom,
 - 7) Center drain location,
 - 8) 1 1/8" threshold.

CROSS SECTION OF THRESHOLD



DUE TO THE NATURE OF THE MATERIALS
UNIT DIMENSIONS MAY VARY ± 1/2 INCH

AQUARIUS

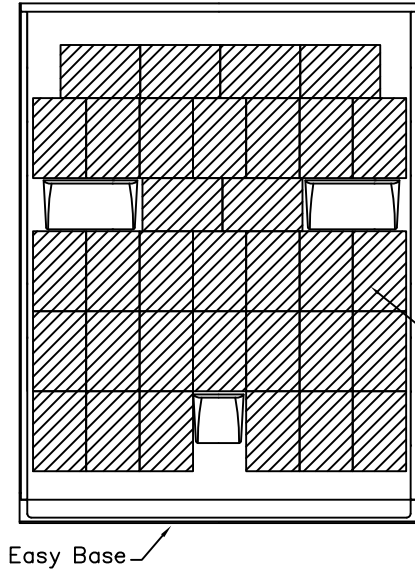
Approved By Print Name:	Drawing#: MP 6060 BF 5P 1.125
Approved By Signature:	Date: 3-31-09 Revised: 11-14-16
Rep.:	Wholesaler: Quote No.

PRAXIS INDUSTRIES, INC.
ROUTE 1, BOX 46D - SAVANNAH, TN 38372
1 (800) 443-7269 - FAX (901) 925-4290

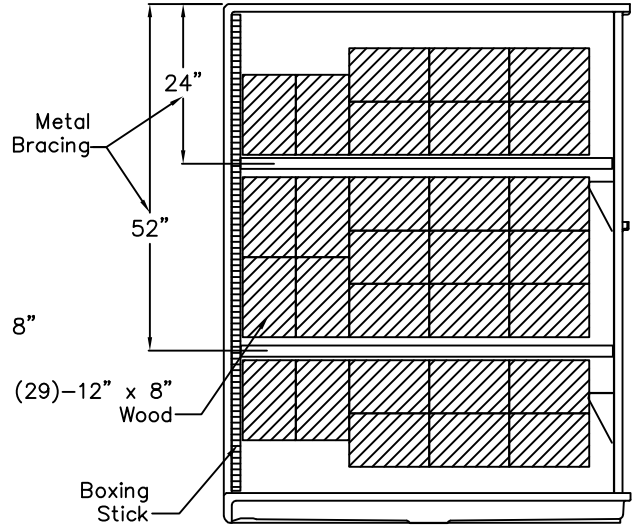
Board Placement Drawing

SUBMITTAL DATA

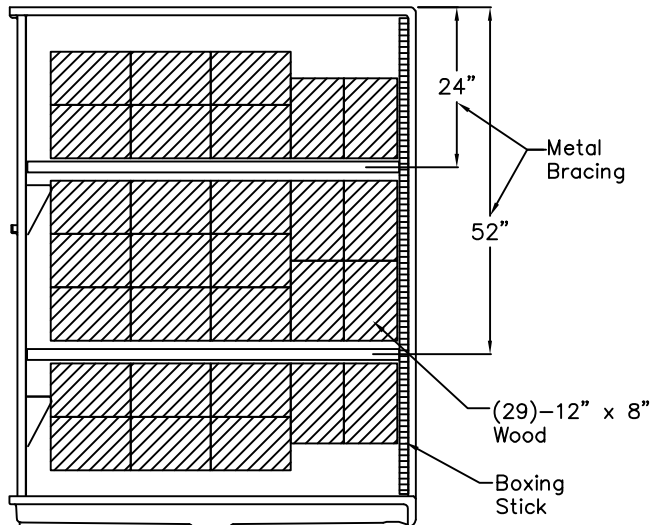
FRONT VIEW



SIDE VIEW



SIDE VIEW



DUE TO THE NATURE OF THE MATERIALS
UNIT DIMENSIONS MAY VARY ± 1/2 INCH

Job Name:	AQUARIUS
Approved by Print Name:	Drawing#: MP 6060 BF 5P 1.125-BP
Approved by Signature:	Date: 3-31-09 Revised: 11-14-16
Rep.:	Quote No.:
Wholesaler:	

PRAXIS INDUSTRIES, INC.
ROUTE 1, BOX 46D - SAVANNAH, TN 38372
1 (800) 443-7269 - FAX (901) 925-4290