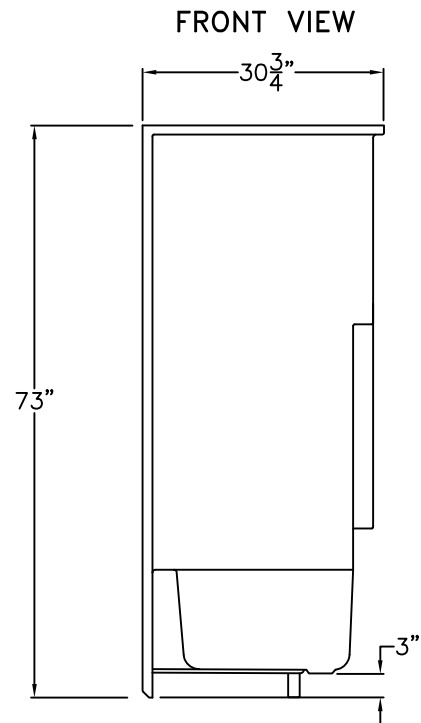
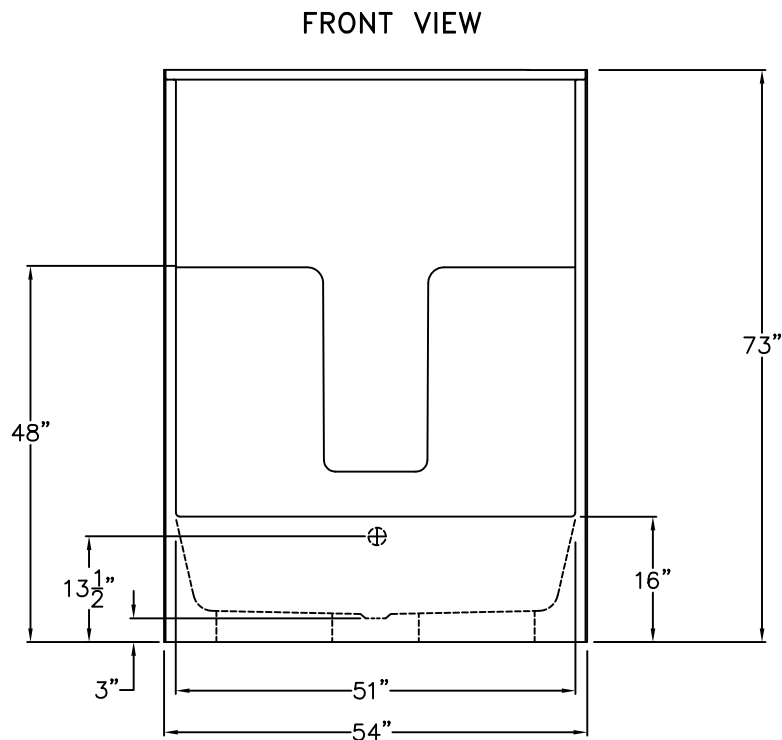
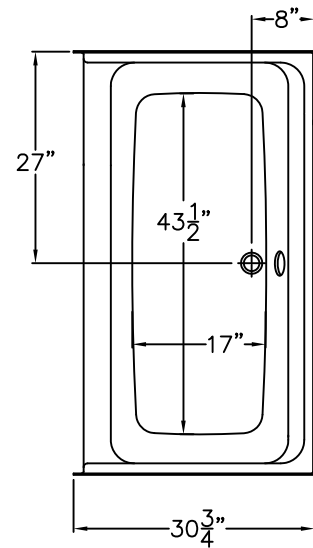


Luxury Acrylic Series

SUBMITTAL DATA



TOP VIEW



DUE TO THE NATURE OF THE MATERIALS
DIMENSIONS MAY VARY ± 1/2"

Smooth Wall Tub Shower

This shower enclosure shall be Aquarius Model G 5430 TS center drain. Finished surface shall be of sanitary-grade applied acrylic. The unit shall have outside dimensions of 54" x 30 3/4" x 73". The unit shall meet IAPMO Z124-2011, and CSA B45.5-11.

The enclosure shall be equipped with the following factory installed accessories:

- 1) Molded soap dishes,
- 2) Center drain location,

Optional acrylic towel bar available.

Job Name:

AQUARIUS

Approved By Print Name:

Drawing#: G 5430 TS

Approved By Signature:

Date:

Date: 2-12-07

Revised: 2-10-17

Rep.:

Wholesaler:

Quote No.:

PRAXIS INDUSTRIES, LLC.
435 INDUSTRIAL ROAD, SAVANNAH, TN 38372
1 (800) 443-7269 - FAX (731) 925-4290