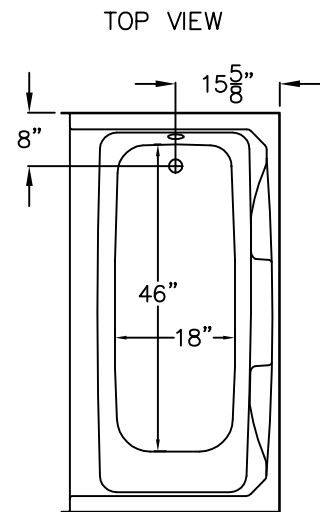
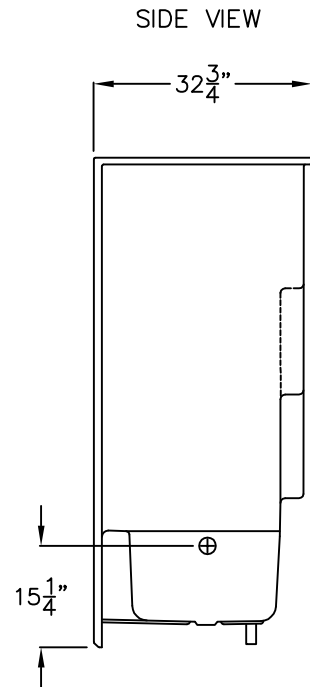
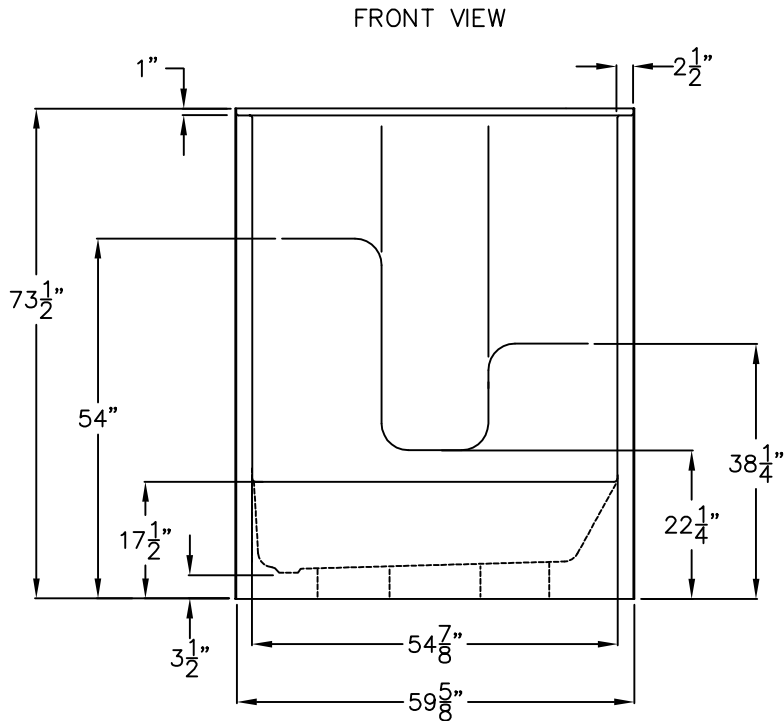


# Luxury Acrylic Series

## SUBMITTAL DATA



### Smooth Wall Tub Shower

This shower enclosure shall be Aquarius Model G 6004 TS right or left. Finished surface shall be of sanitary-grade applied acrylic. The unit shall have outside dimensions of 59 5/8" x 32 3/4" x 73 1/2". The unit shall meet IAPMO Z124-2011, and CSA B45.5-11.

The enclosure shall be equipped with the following factory installed accessories:

- 1) Molded soap ledges,
- 2) Right or left drain location,
- 3) Above floor rough-in,
- 4) Water Capacity: 37 US Gallons

Optional acrylic towel bar is available.

DUE TO THE NATURE OF THE MATERIALS  
DIMENSIONS MAY VARY ± 1/2"

Job Name:	<b>AQUARIUS</b>	
Approved By Print Name:	Drawing#: G 6004 TS	
Approved By Signature:	Date:	Date: 10-21-03    Revised: 10-11-16
Rep.:	Wholesaler:	Quote No.:

PRAXIS INDUSTRIES, LLC.  
435 INDUSTRIAL RD - SAVANNAH, TN 38372  
1 (800) 443-7269 - FAX (731) 925-4290