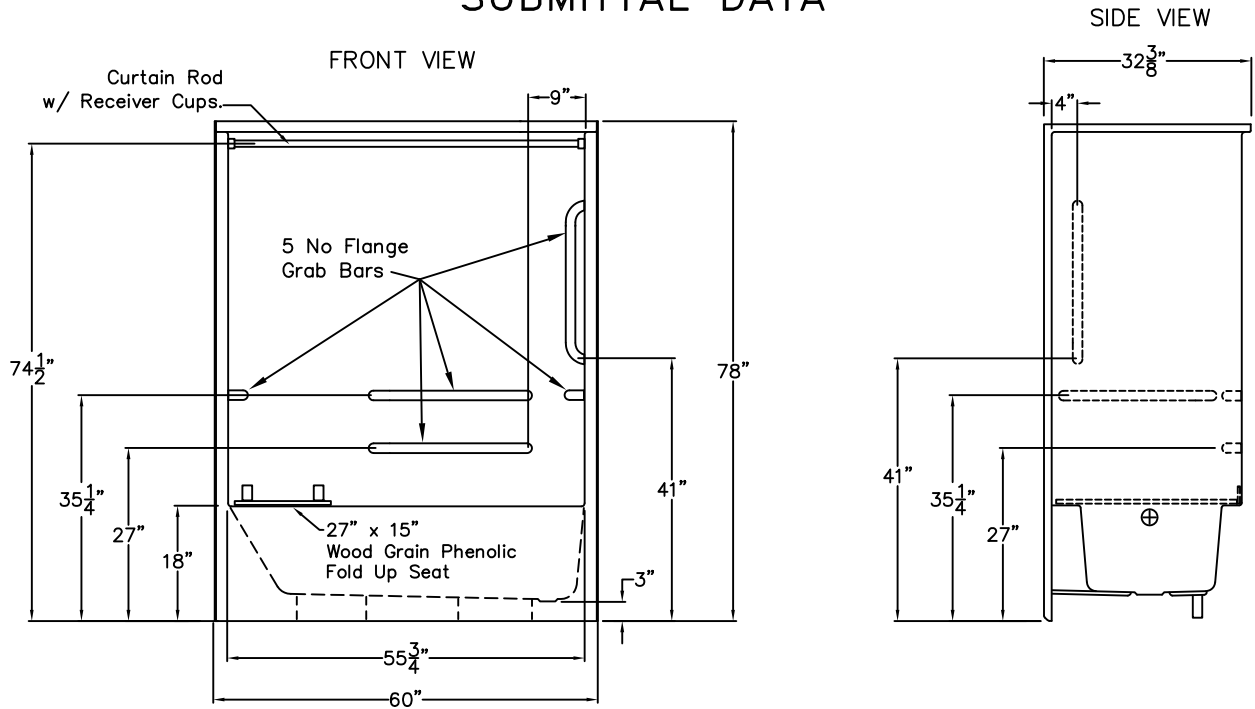


# Special Needs Series

## SUBMITTAL DATA



### 60" Barrier Free Tub/Shower

This tub shower enclosure shall be Aquarius model G 3260 TS. Unit surface is sanitary grade applied acrylic. Unit shall have outside dimensions of 60" x 32" x 78". Unit complies with IAPMOZ124-2011, CSA B45.5, ADA, and ANSI Z124.1.2,

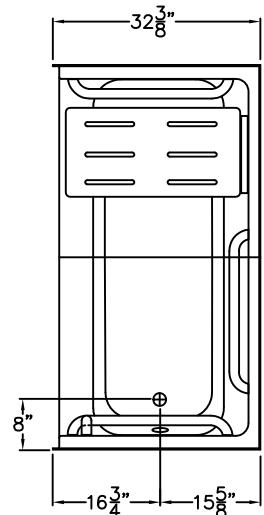
The enclosure shall be equipped with the following factory installed accessories:

- 1) Two 24" x 1 1/2" diameter stainless steel no flange grab bars on the back wall,
- 2) Two 24" x 1 1/2" diameter stainless steel no flange grab bars, on horizontal on each side walls,
- 3) One 24" x 1 1/2" diameter stainless steel no flange grab bar, vertical on the valve wall, all with 1 1/2" statute clearance, secured from the rear with stainless steel bolts, and 3" x 3" x 11 gauge metal mounting plates.
- 4) 27" x 15" woodgrain phenolic fold up seat,
- 5) One inch diameter stainless steel curtain rod with receiver cups.

Available options: 6) Green anti-bacterial shower curtain and hooks, 7) White weighted shower curtain and hooks, 8) Valve package with hand shower, 9) Nurses call box drilling, 10) Recessed soap dish.

This unit features the outside dimensions of 60" of overall width. This does not allow for full enclosure of the bolts that are used to secure the bars and seat in place. This may require the need to notch studs to allow for bolt clearance for installation. For a dry wall enclosed fire wall installation, adjustment of the wallboard may be necessary to provide clearance of the bolts while maintaining the integrity of the drywall fire wall enclosure.

TOP VIEW



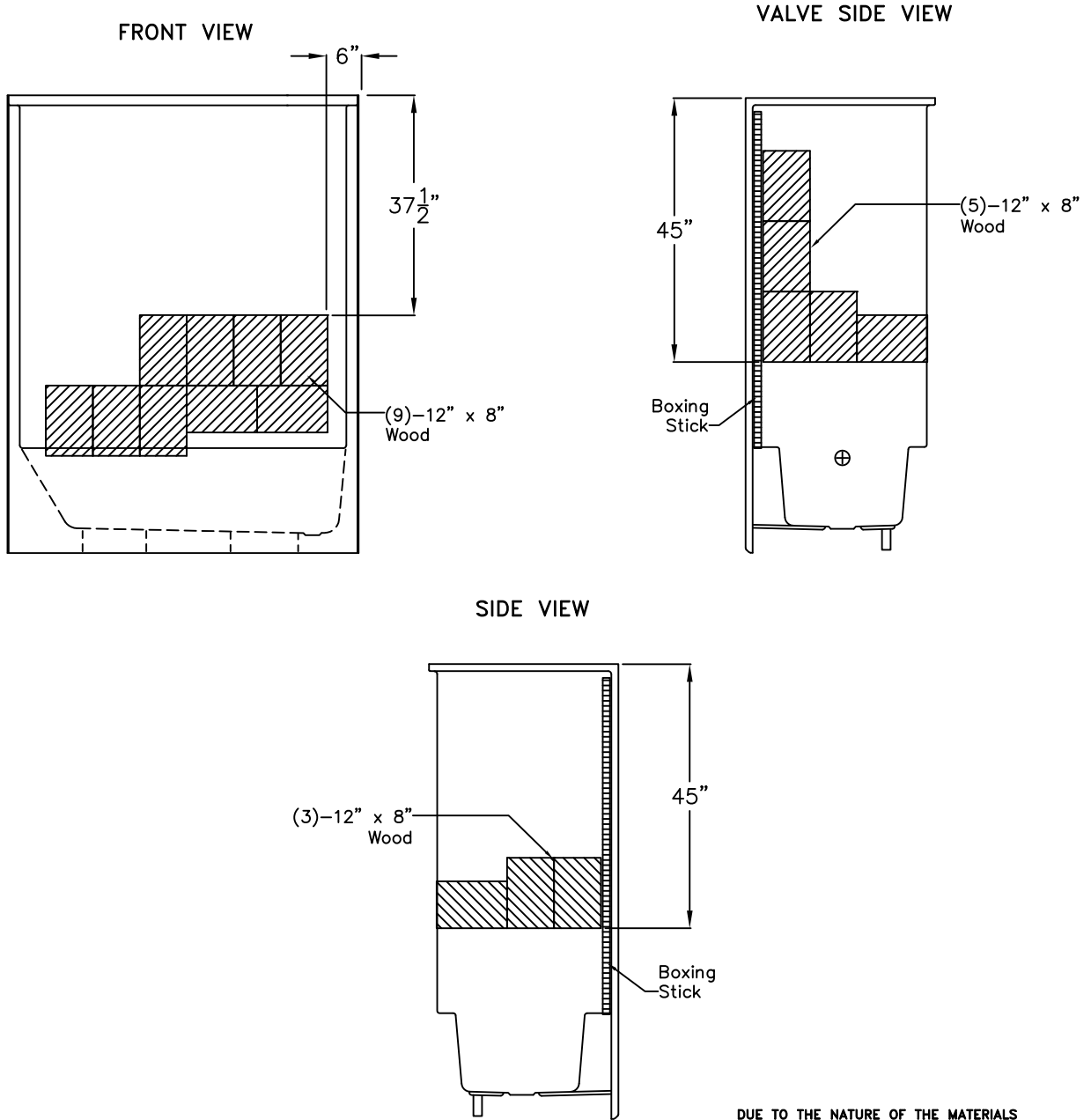
DUE TO THE NATURE OF THE MATERIALS INVOLVED, UNIT DIMENSIONS MAY VARY ± 1/2 INCH.

<b>Job Name:</b>	<b>AQUARIUS</b>
<b>Approved by Print Name:</b>	Drawing#: G3260 TS Package One ADA with Curtain Rod
<b>Approved by Signature:</b>	Date: 7-17-96      Revised: 10-7-16
<b>Rep.:</b>	Quote No.:

PRAXIS INDUSTRIES, LLC.  
 435 INDUSTRIAL RD - SAVANNAH, TN 38372  
 1 (800) 443-7269 - FAX (731) 925-4290

# Board Placement Drawing

## SUBMITTAL DATA



Job Name:	<b>AQUARIUS</b>
Approved by Print Name:	Drawing#: G3260 TS Package One ADA with Curtain Rod-BP
Approved by Signature:	Date: 7-19-96      Revised: 10-7-16
Rep.:	Quote No.:

PRAXIS INDUSTRIES, LLC.  
 435 INDUSTRIAL RD - SAVANNAH, TN 38372  
 1 (800) 443-7269 - FAX (731) 925-4290