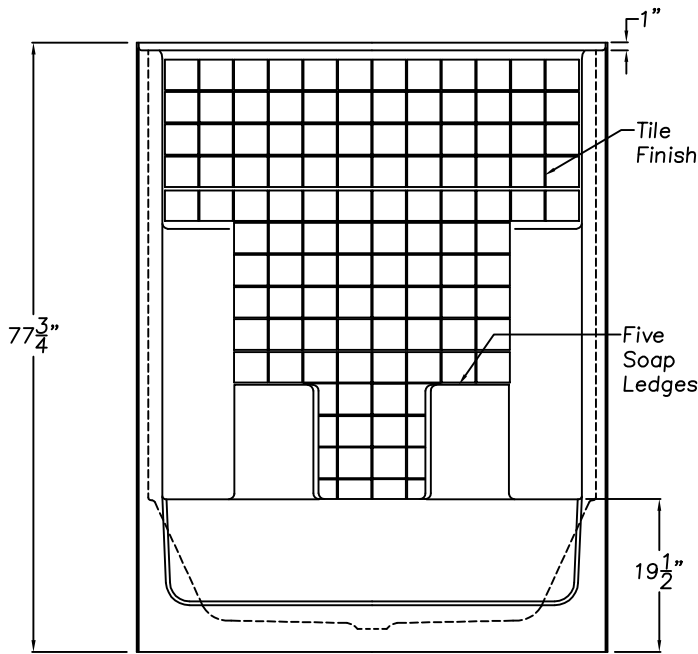


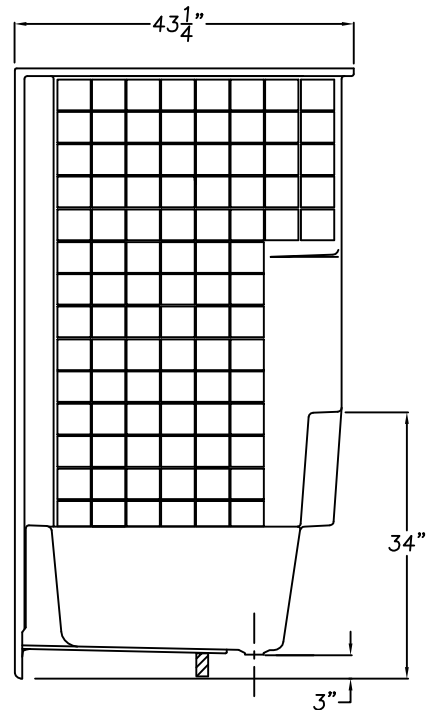
Luxury Acrylic Series

SUBMITTAL DATA

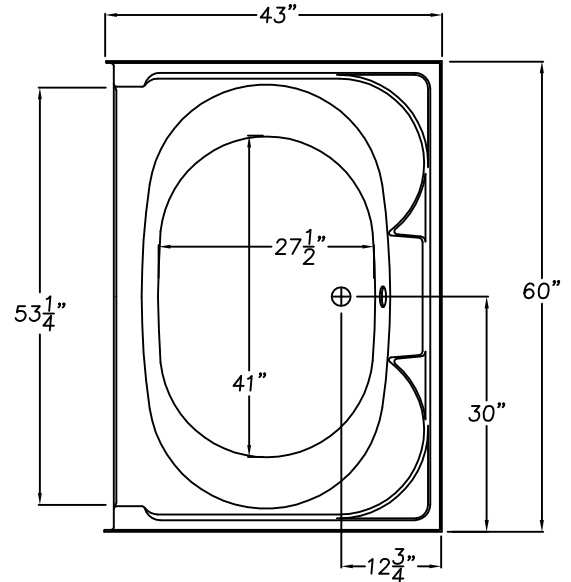
FRONT VIEW



SIDE VIEW



TOP VIEW



DUE TO THE NATURE OF THE MATERIALS
DIMENSIONS MAY VARY ± 1/2"

Simulated Tile Tub Shower

This shower enclosure shall be Aquarius Model G 6042 TS CD Tile center drain. Finished surface shall be of sanitary-grade applied acrylic. The unit shall have outside dimensions of 60" x 43 1/4" x 77 3/4". The unit shall meet IAPMO Z124-2011, and CSA B45.5-11.

The enclosure shall be equipped with the following factory installed accessories:

- 1) Simulated tile finish,
- 2) Five molded soap dishes,
- 3) Center drain location.
- 4) Water capacity: 54 US Gallons,
- 5) Floor to overflow: 17"

Job Name:	AQUARIUS	
Approved By Print Name:	Drawing#: G 6042 TS CD TILE	
Approved By Signature:	Date:	Date: 2-9-07 Revised: 10-11-16
Rep.:	Wholesaler:	Quote No.:

PRAXIS INDUSTRIES, LLC.
435 INDUSTRIAL ROAD, SAVANNAH, TN 38372
1 (800) 326-5489 - FAX (888) 246-0466