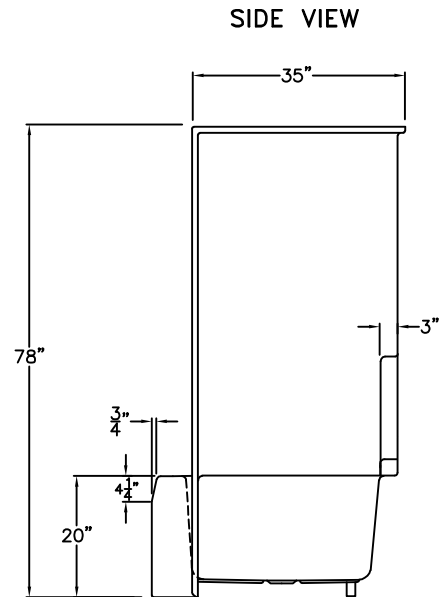
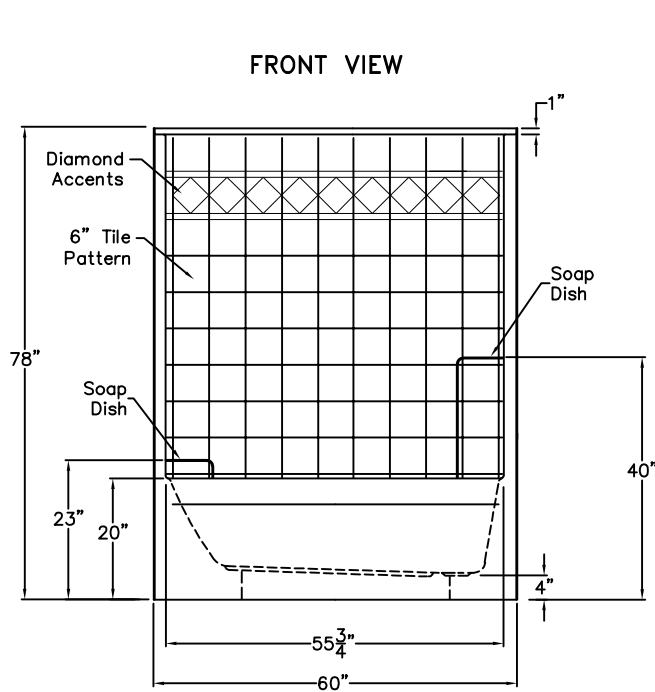
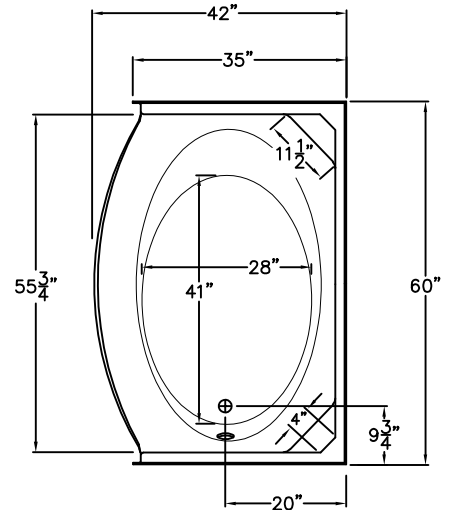


Luxury Acrylic Series

SUBMITTAL DATA



TOP VIEW



DUE TO THE NATURE OF THE MATERIALS
 DIMENSIONS MAY VARY ± 1/2"

Simulated Tile Tub Shower

This shower enclosure shall be Model M 3542 TS TILE BOW right or left. Finished surface shall be of sanitary-grade applied acrylic. The unit shall have outside dimensions of 60" x 42" x 78". The unit shall meet IAPMO Z124-2011, and CSA B45.5-11.

The enclosure shall be equipped with the following factory installed accessories:

- 1) Low molded corner soap dish opposite drain end,
- 2) High molded corner soap dish on the drain end,
- 3) Oval water well,
- 4) Bowed front apron,
- 5) Water Capacity: 54 US. Gallons.

Job Name:	PRAXIS	
Approved by Print Name:	Drawing#: M 3542 TS Tile BOW	
Approved by Signature:	Date:	Date: 1-27-00 Revised: 4-4-17
Rep.:	Wholesaler:	Quote No.:

PRAXIS INDUSTRIES, INC.
 ROUTE 1, BOX 46D - SAVANNAH, TN 38372
 1 (800) 443-7269 - FAX (901) 925-4290