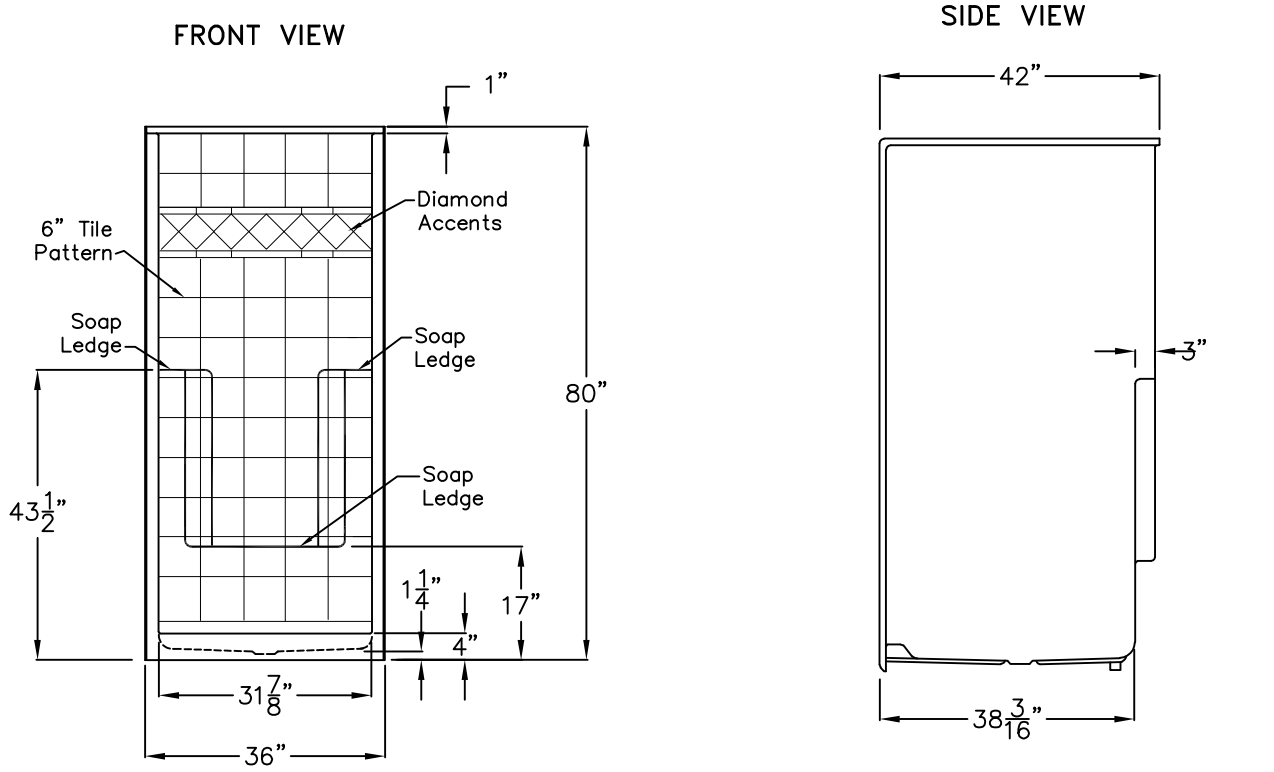


Luxury Acrylic Series

SUBMITTAL DRAWING



Simulated Tile Shower

This shower enclosure shall be Model M 3642 SH center drain. Finished surface shall be of sanitary-grade applied acrylic. The unit shall have outside dimensions of 36" x 42" x 80". The unit shall meet IAPMO Z124-2011, and CSA B45.5-11.

The enclosure shall be equipped with the following factory installed accessories:

- 1) Tile finish,
- 2) Diamond accents,
- 3) Molded corner soap ledges,
- 4) Low molded soap ledges,
- 5) 4.0" threshold.

DUE TO THE NATURE OF THE MATERIALS INVOLVED
 UNIT DIMENSIONS MAY VARY ± 1/2 INCH

Job Name:		PRAXIS	
Approved by Print Name:		Drawing: M 3642 SH 4.0	
Approved by Signature:	Date:	Date: 8-6-12	Revised: 4-4-17
Rep.:	Wholesaler:	Quote No.:	

PRAXIS INDUSTRIES, LLC.
 435 INDUSTRIAL RD - SAVANNAH, TN 38372
 1 (800) 443-7269 - FAX (731) 925-4290