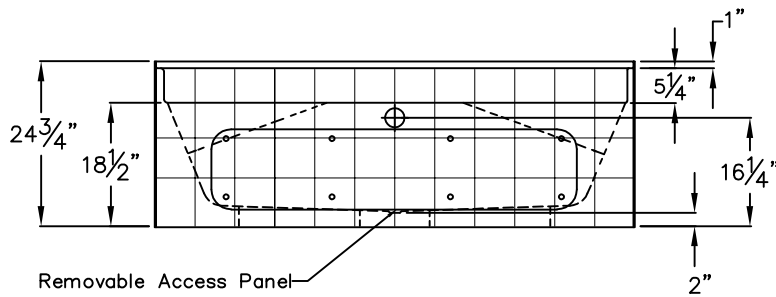


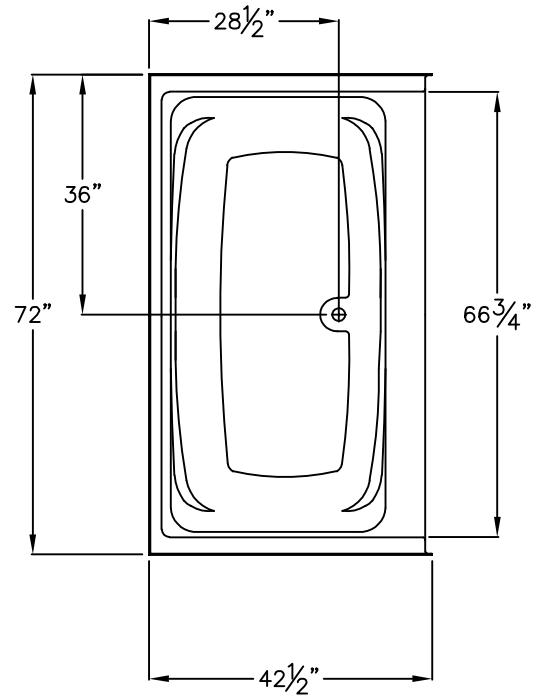
Luxury Acrylic Series

SUBMITTAL DATA

FRONT VIEW



TOP VIEW



Simulated Tile Bathtub

This shower enclosure shall be Model M 7224 TO TILE center drain. Finished surface shall be of sanitary-grade applied acrylic. The unit shall have outside dimensions of 72" x 42 1/2" x 24 3/4". The unit shall meet IAPMO Z124-2011, and CSA B45.5-11.

The enclosure shall be equipped with the following factory installed accessories:

- 1) Integral skirt,
- 2) Removable access panel,
- 3) Tile finish,
- 4) Center drain location.

DUE TO THE NATURE OF THE MATERIALS
 DIMENSIONS MAY VARY ± 1/2"

Job Name:	PRAXIS	
Approved by Print Name:	Drawing#: M 7224 TO Tile	
Approved by Signature:	Date:	Date: 11-25-02 Revised: 4-4-17
Rep.:	Wholesaler:	Quote No.:

PRAXIS INDUSTRIES, LLC.
 435 INDUSTRIAL RD - SAVANNAH, TN 38372
 1 (800) 443-7269 - FAX (731) 925-4290