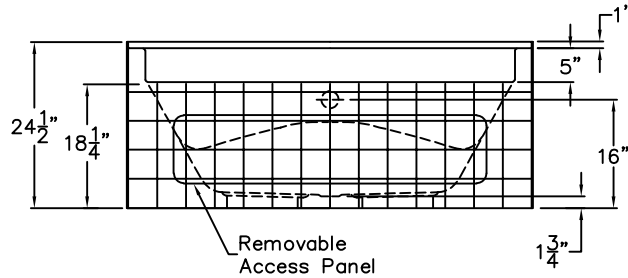
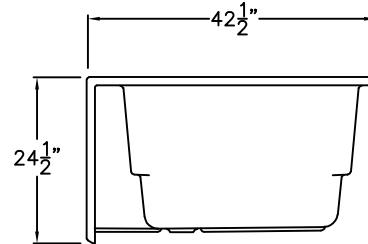


Luxury Acrylic Series  
 SUBMITTAL DATA

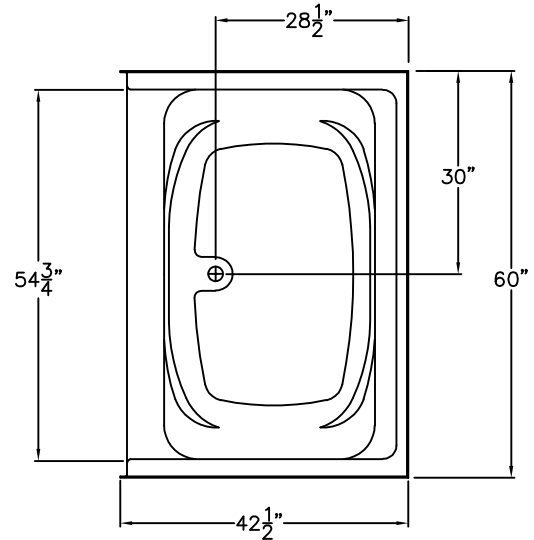
FRONT VIEW



SIDE VIEW



TOP VIEW



Simulated Tile Bathtub

This shower enclosure shall be Model M 6024 TO TILE center drain. Finished surface shall be of sanitary-grade applied acrylic. The unit shall have outside dimensions of 60" x 42 1/2" x 24 1/2". The unit shall meet IAPMO Z124-2011, and CSA B45.5-11.

The enclosure shall be equipped with the following factory installed accessories:

- 1) Center drain location offset to apron side,
- 2) Integral molded arm rests,
- 3) Tile finish,
- 4) Removable apron panel.

DUE TO THE NATURE OF THE MATERIALS  
 DIMENSIONS MAY VARY ± 1/2"

Job Name:	<b>PRAXIS</b>	
Approved By Print Name:	Drawing#: M 6024 TO Tile	
Approved By Signature:	Date:	Date: 11-21-02    Revised: 4-4-17
Rep.:	Wholesaler:	Quote No.:

PRAXIS INDUSTRIES, LLC.  
 435 INDUSTRIAL ROAD, SAVANNAH, TN 38372  
 1 (800) 326-5489 - FAX (888) 246-0466