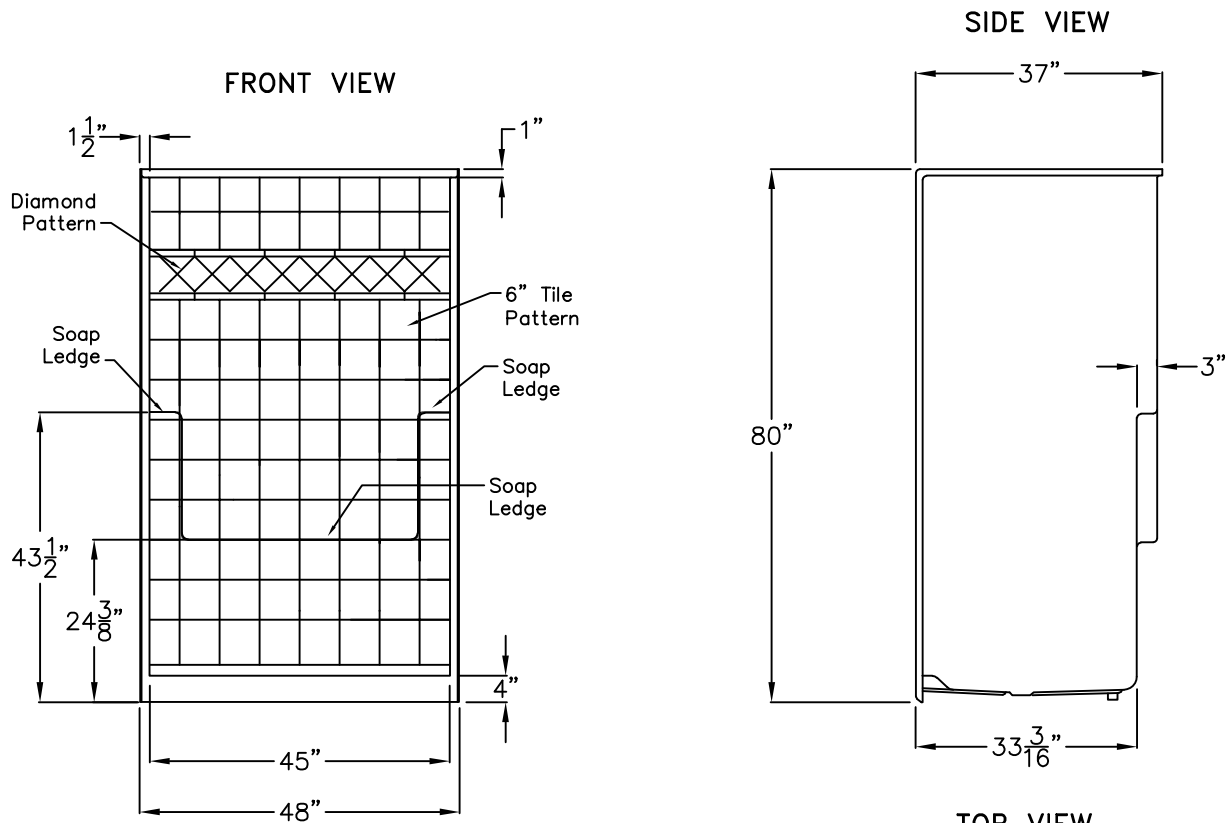


Luxury Acrylic Series

SUBMITTAL DATA



Simulated Tile Shower

This shower enclosure shall be Model M 4836 TS TILE center drain. Finished surface shall be of sanitary-grade applied acrylic. The unit shall have outside dimensions of 48" x 37" x 80". The unit shall meet IAPMO Z124-2011, and CSA B45.5-11.

The enclosure shall be equipped with the following factory installed accessories:

- 1) Molded soap ledges,
- 2) Lower molded ledge on the back wall,
- 3) Tile finish,
- 4) Diamond accents,
- 5) 4.0" threshold.

DUE TO THE NATURE OF THE MATERIALS
 DIMENSIONS MAY VARY ± 1/2"

Job Name:	PRAXIS	
Approved By Print Name:	Drawing#: M 4836 SH NS Tile	
Approved By Signature:	Date:	Date: 6-18-01 Revised: 4-4-17
Rep.:	Wholesaler:	Quote No.:

PRAXIS INDUSTRIES, LLC.
 435 INDUSTRIAL RD - SAVANNAH, TN 38372
 1 (800) 443-7269 - FAX (731) 925-4290