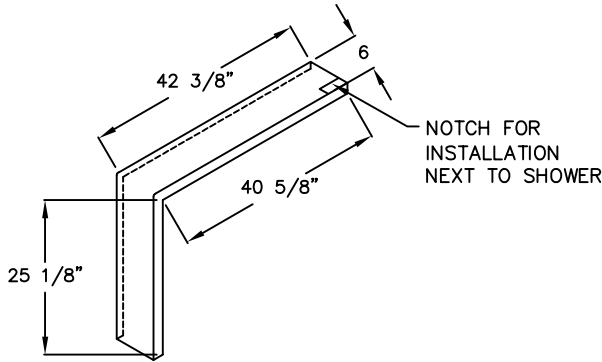


Luxury Acrylic Series

SUBMITTAL DATA

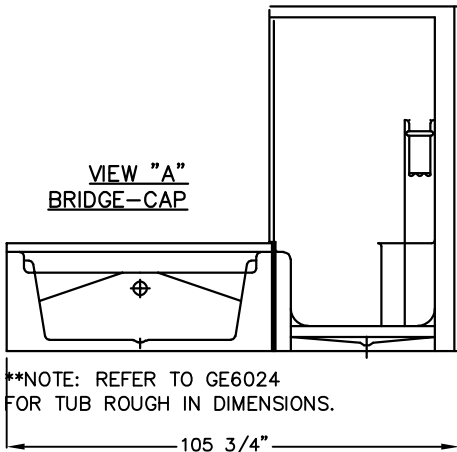
BRIDGE-CAP
ISOMETRIC
FRONT VIEW



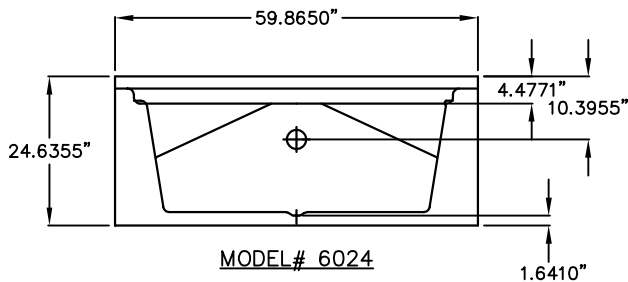
BRIDGE-CAP

*NAILING FLANGE 1 3/4" ALL THE WAY AROUND
*SHOWN AS A LEFT OR RIGHT

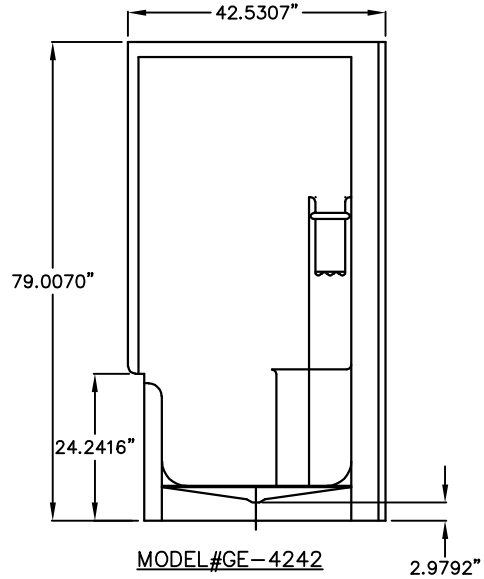
FRONT VIEW



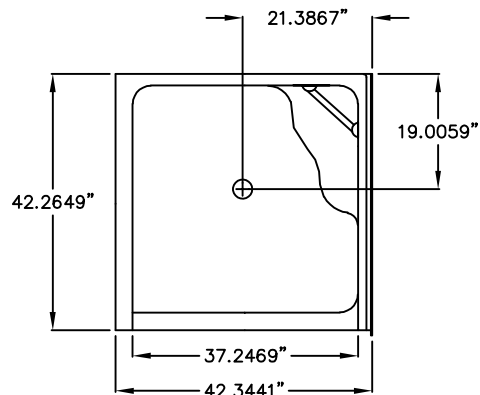
FRONT VIEW



SIDE VIEW



TOP VIEW



M INFINITY V TILE 1S. APPLIED ACRYLIC SHOWER AND BATHTUB COMBINATION UNIT.

DUE TO THE NATURE OF THE MATERIALS
DIMENSIONS MAY VARY ± 1/2"

Job Name:

PRAXIS

Approved by Print Name:

Drawing#: M INFINITY V TILE 1S

Approved by Signature:

Date:

Date: 4-27-07. Revised: 4-7-17

Rep.:

Wholesaler:

Quote No.:

PRAXIS INDUSTRIES, LLC.
435 INDUSTRIAL RD - SAVANNAH, TN 38372
1 (800) 443-7269 - FAX (731) 925-4290