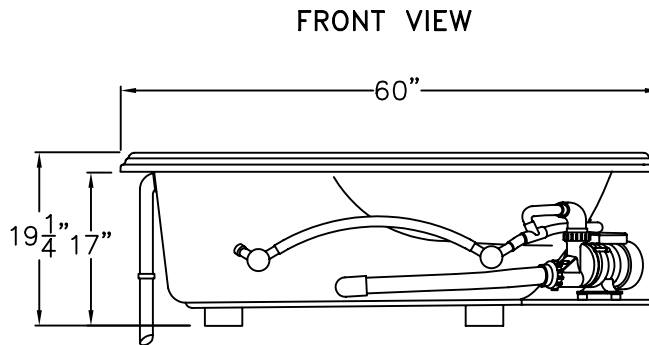
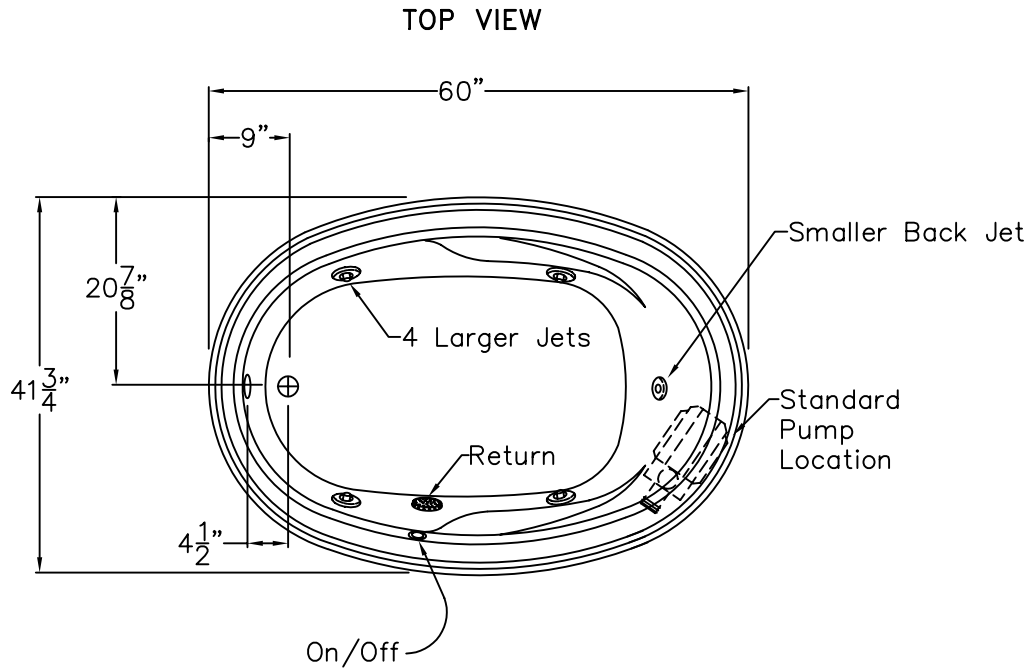


Luxury Acrylic Series

SUBMITTAL DATA



RNORLNS5 TO DI ACRYLIC FACED DROP IN BATHTUB.
 CONFIGURED WITH 5 WHIRLPOOL JETS, PUMP-MOTOR,
 AND ON/OFF CONTROL.

DUE TO THE NATURE OF THE MATERIALS
 DIMENSIONS MAY VARY ±1/2"

| | | |
|--------------|--------------------------|-------------------------------------|
| Job Name: | PRAXIS | |
| Model No.: | Drawing#: RNORLNS5 DI WP | |
| Approved by: | Date Approved: | Date: 4-19-06 Revised: 2-15-12 |
| Rep.: | Wholesaler: | Quote No.: |

PRAXIS INDUSTRIES, LLC.
 435 INDUSTRIAL RD - SAVANNAH, TN 38372
 1 (800) 443-7269 - FAX (731) 925-4290