

CUSTOMER: \_\_\_\_\_  
 JOB NAME: \_\_\_\_\_  
 PO #: \_\_\_\_\_ QUOTE # \_\_\_\_\_  
 DATE: \_\_\_\_\_ QUANTITY: L \_\_\_\_\_ R \_\_\_\_\_  
 SHIP TO: \_\_\_\_\_  
 \_\_\_\_\_

One Signature Required

\_\_\_\_\_/\_\_\_\_\_/\_\_\_\_\_  
 PLUMBING CONTRACTOR APPROVAL DATE  
 \_\_\_\_/\_\_\_\_/\_\_\_\_\_  
 GENERAL CONTRACTOR APPROVAL DATE  
 \_\_\_\_/\_\_\_\_/\_\_\_\_\_  
 ENGINEER APPROVAL DATE  
 \_\_\_\_/\_\_\_\_/\_\_\_\_\_  
 ARCHITECT APPROVAL DATE

To complete your order, this document must be signed and emailed to the Centralized Customer Service Center.  
**quotes@americanbathgroup.com • 800.443.7269**

**STANDARD FEATURES**

- Pre-leveled base
- AcrylX™ applied acrylic surface
- 1 1/8" skirt
- Compliant when properly installed
- Center front drain outlet
- Integral front trench drain
- 5-year limited warranty
- 12" x 24" subway tile
- Slip resistant, textured bottom [ASTM F-462]

Int. Dim.	60 W x 30 D x 76 3/4 H
Ext. Dim.	66 W x 32 1/8 D x 78 3/4 H
Skirt Ht.	1/2 skirt, 1/2 COL exterior threshold
Packaged Wt.	210 lbs.
Material	AcrylX™ applied acrylic
Warranty	30-year warranty*

\* See terms and conditions for details

inches

**CONFIGURATION (handed by fixture wall)**

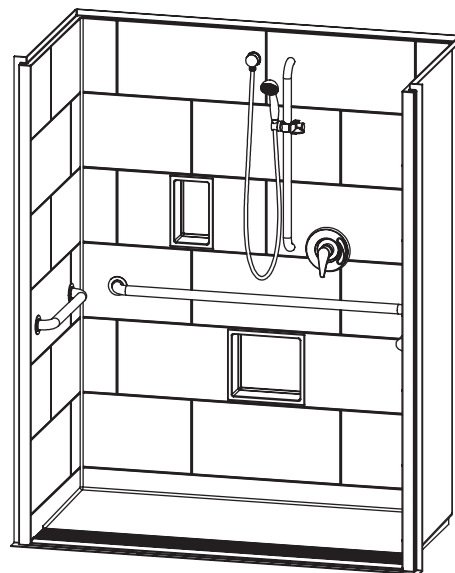
- Shell reinforced for future accessory installation  
 Fixture wall  LH  RH  Back wall  
 Optional vertical bar reinforcement (entry wall)  
 LH  RH  Both
- Fully configured — ADA  
 Fixture Wall (must choose one)  LH  RH  Back Wall  
 Includes two stainless steel 24" x 1 1/2" grab bars located on the side wall and one stainless steel 48" x 1 1/2" grab bar located on the back wall, per ADA guidelines. (std config)  
 Factory-installed plumbing options per ADA requirements  
 Hand-held shower assembly, 30" slide bar and 60" hose  
 Pressure balancing mixing valve

**OPTIONAL ACCESSORIES (available for all models)**

- Stainless steel vertical bar 24" x 1 1/2" (entry wall)  
 LH  RH  Both
- Large soap dish (12 1/2 W x 3 1/2 D x 1 1/2 H), shipped loose
- Small soap dish (7 W x 3 1/2 D x 1 1/2 H), shipped loose
- Curtain rod, shipped loose
- Shower curtain, shipped loose
- Brass drain
- Colors:  
 Standard  White  
 Upgraded  Biscuit  Bone  
 Other (contact customer service for custom color options)
- Additional accessories:

**CUSTOM OPTIONS (not available if ADA configuration is selected)**

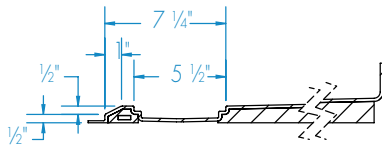
- Grab bars:  
 Horizontal U-shaped bars: 24" (side walls), 48" (back wall)  
 Vertical bar 24" (entry wall)  LH  RH  Both
- Grab Bar finish:  
 Stainless steel (1 1/2" dia.)  
 Powder-coated white (1 1/4" dia.)
- Factory-installed plumbing options per ADA requirements  
 Hand-held shower assembly, 30" slide bar and 60" hose  
 Pressure balancing mixing valve  
 Fixture wall  LH  RH  Back wall
- Grate:  
 Stainless steel  
 White  
 Tamper-proof



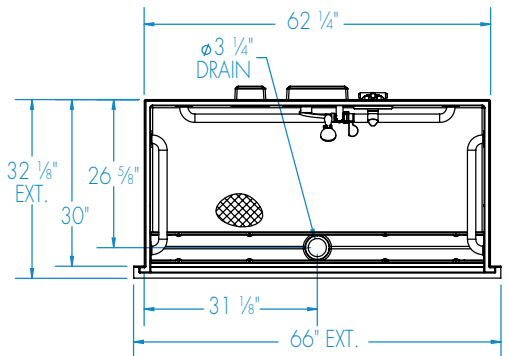
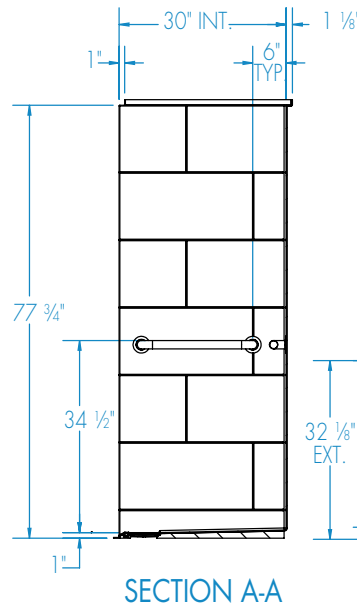
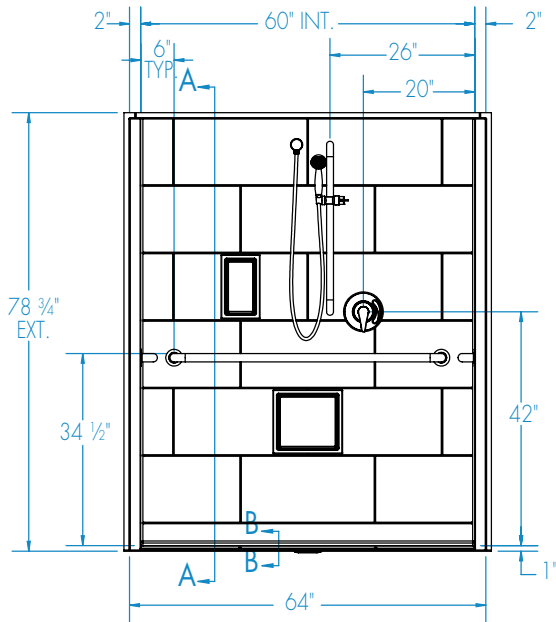
Back wall right fixture placement configuration  
 shown with optional soap dish



ADA/ANSI compliant when fully equipped and installed according to guidelines.



**SECTION B-B**  
(Trench grate (Included) not shown)



**FEATURES** lbs Dimensional Tolerance  $\pm \frac{3}{8}$ ". Dimensions needed for site preparation should be measured from the unit. Manufacturer assumes no responsibility for preparatory work.

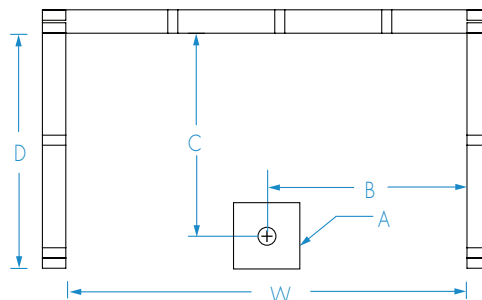
Type and Model #	Material	Wall Finish	Pieces	Drain	Dam/Skirt Height	Net Wt.	Pkg. Wt.
Shower AQT6232TR COL	AcrylX™ applied acrylic	Smooth tile	1	Center Front	1/2" skirt 1/2" exterior COL threshold	200	210

**DIMENSIONS**

Specifications	inches
Width: Ext. / Int.	66 / 60
Depth: Ext. / Int.	32 1/8 / 30
Height: Ext. / Int.	78 3/4 / 76 3/4
Enclosure Opening:	60
Skirt Height:	1/2
Drain Rough-In (from Back Wall)	26 5/8
Drain Rough-In (from Side Wall)	31 1/8

**FRAMING DIMENSIONS** inches (mm)

Type	D Depth	W Width	H Height	A	B	C
Alcove	30	62 1/4	-	Box Out	31 1/8	26 5/8



EMAIL TO THE CENTRALIZED CUSTOMER SERVICE CENTER: [quotes@americanbathgroup.com](mailto:quotes@americanbathgroup.com)