



13-Series - ASME Section IV Low Pressure Steam Heating Boiler Safety Valves



Overview

National Board capacity-certified at 15 psig in accordance with ASME Section IV; optional rough or polished chrome finish; positive drainage of condensate from seat area.

ASME Section IV
 Sizes 3/4"-1-1/2" NPT
 Set pressure 5 to 15 psi

Applications

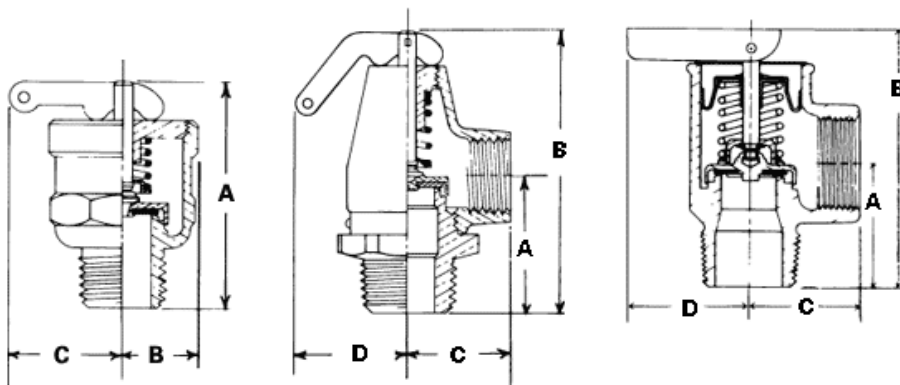
- Low pressure steam heating and supply boilers.

Features

- Flat seat, PTFE faced disc for positive seal
- Standard set pressure of 15 psig; capacities apply to valves set @15 psig
- Positive drainage of condensate from seat area
- No. 13-101 is top outlet discharge
- Registered in all Canadian provinces and territories, CRN #0G8547.5C
- National Board certified at 15 psig

Options: Plain, satin or polished chrome finish

Dimensions



12, 13 and 14-200 Series Capacities



ASME Section IV Steam

**POUNDS PER HOUR (KILOGRAMS PER HOUR) SATURATED STEAM AT 33-1/3%
OVERPRESSURE. NATIONAL BOARD CERTIFIED. RATINGS ARE 90% OF ACTUAL.**



U.S. Customary Units lbs./hr.						
Model No.	12-205 2 x 2	12-206 2-1/2 x 2-1/2	12-208 3 x 3	13-101 3/4	13-202 1 x 1	13-211 3/4 x 3/4
Set Pressure						
psig						
5*	1,439	2,043	2,855	333	374	290
10*	1,969	2,786	3,478	372	509	383
15	2,500	3,529	4,100	410	643	475
Model No.	13-213 1-1/4 x 1-1/2	13-214 1-1/2 x 2	13-511 13-512 3/4 x 3/4	14-205 2 x 2	14-206 2-1/2 x 2-1/2	14-207 3 x 3
Set Pressure						
psig						
5*	699	1,106	213	1,815	2,695	3,944
10*	950	1,503	310	2,483	3,686	5,394
15	1,200	1,900	407	3,150	4,676	6,843

Metric Units kg./hr.						
Model No.	12-205 2 x 2	12-206 2-1/2 x 2-1/2	12-208 3 x 3	13-101 3/4	13-202 1 x 1	13-211 3/4 x 3/4
Set Pressure						
barg						
0.34	653	927	1,295	151	170	131
0.69	893	1,264	1,577	169	231	174
1.03	1,134	1,601	1,860	186	292	215
Model No.	13-213 1-1/4 x 1-1/2	13-214 1-1/2 x 2	13-511 13-512 3/4 - 3/4	14-205 2 x 2	14-206 2-1/2 x 2-1/2	14-207 3 x 3
Set Pressure						
barg						
0.34	317	502	97	823	1,222	1,789
0.69	431	682	141	1,126	1,672	2,447
1.03	544	862	185	1,429	2,121	3,103

*ASME Section IV and NB certified capacities at 15 psi only.

Valves may be set for any pressure between 5 and 15 psi. Consult factory for set pressures not listed.